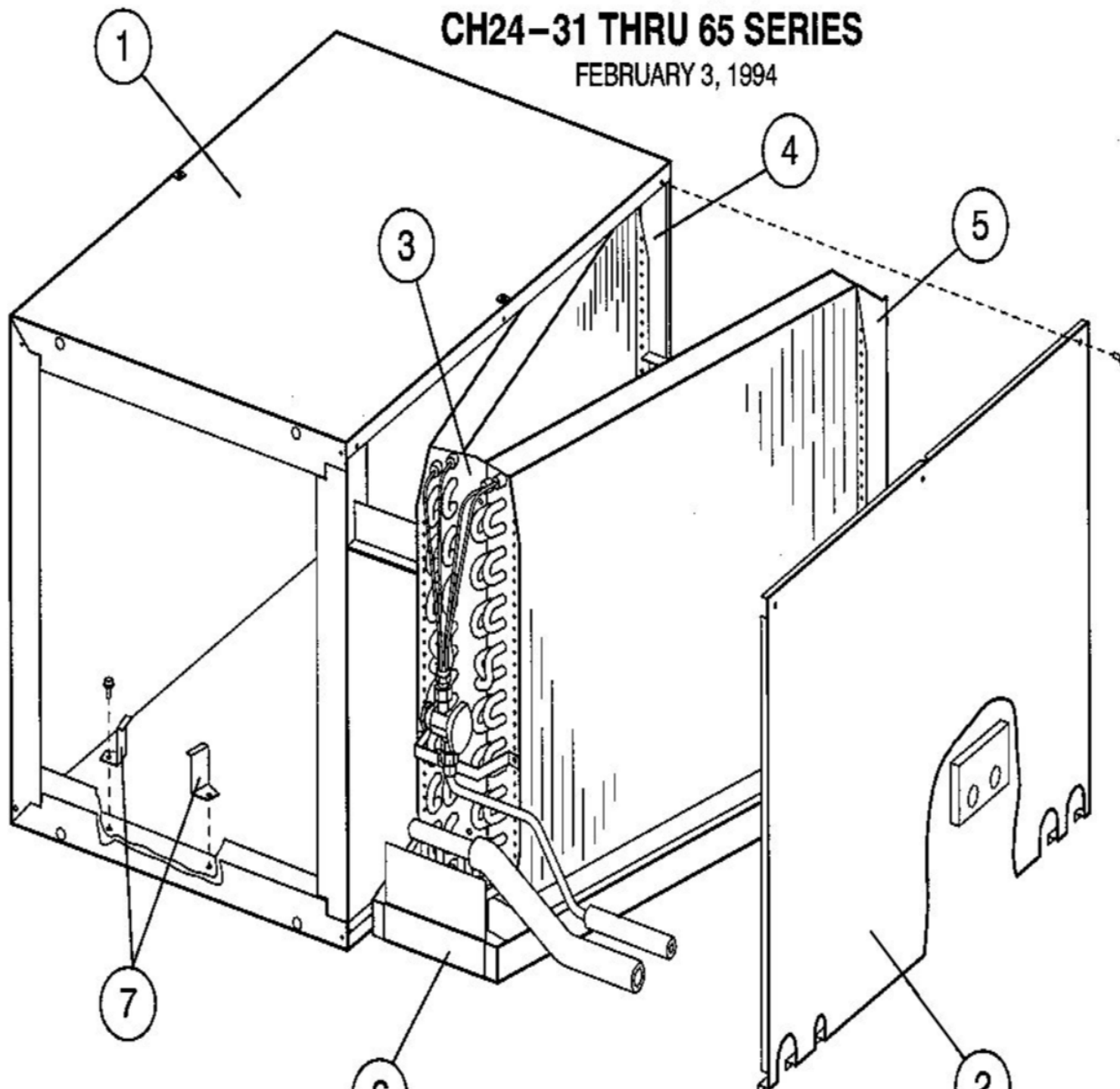


# CH22-21 THRU 65 SERIES CH24-31 THRU 65 SERIES

FEBRUARY 3, 1994



Revision Number - 1

## PARTS LISTING

Callout	Name	Quantity	Description
	WASHER Cat #: 25J88 Model/Part #: 25J8801	1	(RFC)
	ORIFICE Cat #: 27J81 Model/Part #: 27J8101	1	RESTRICTOR (.088)
	VALVE-EXPANSION Cat #: 37J69 Model/Part #: 37J6901	1	(PARKER)
	SHIELD Cat #: LB-83494 Model/Part #: LB-83494	1	HEAT
	SUPPORT Cat #: LB-85576 Model/Part #: LB-85576	2	COIL
	DISTRIBUTOR ASSY Cat #: 41J87 Model/Part #: LB-85598B	1	DIST ASSY
	SHIELD Cat #: LB-85844 Model/Part #: LB-85844	2	ENDPLATE
	SHIELD Cat #: LB-86351 Model/Part #: LB-86351	1	DRAIN PAN
	COIL-INDOOR Cat #: 77K34 Model/Part #: LB-91019C	1	REPAIR
1	WRAPPER Cat #: 89J32 Model/Part #: LB-83408D	1	CABINET ASSY.
2	PANEL Cat #: 90J10 Model/Part #: LB-83452D	1	ACCESS
3	SEAL-COIL Cat #: LB-85570 Model/Part #: LB-85570	1	FRONT
4	SEAL-COIL Cat #: LB-85572 Model/Part #: LB-85572	1	LEFT
5	SEAL-COIL Cat #: LB-85448 Model/Part #: LB-85448	1	RIGHT
6	PAN-DRAIN Cat #: 62J94 Model/Part #: LB-83465B	1	DRAIN PAN S.A.

Callout	Name	Quantity	Description
7	CLIP Cat #: LB-85682B Model/Part #: LB-85682B	2	PAN SECURING

**Note:**

There are no technical notes for this product.