

# CADET

HEATING BOILER

## Installation & Service Manual

Models: 40 - 120



IMG00201



**⚠ WARNING**

This manual must only be used by a qualified heating installer / service technician. Read all instructions, in this manual before installing. Perform steps in the order given. Failure to comply could result in severe personal injury, death, or substantial property damage.

**Save this manual for future reference.**

# Contents

<b>HAZARD DEFINITIONS</b> .....	2	<b>6. HYDRONIC PIPING</b>	
<b>PLEASE READ BEFORE PROCEEDING</b> .....	3	System Water Piping Methods.....	34
<b>THE CADET HEATING BOILER—HOW IT WORKS</b> .....	4-5	Low Water Cutoff Device .....	34
<b>RATINGS</b> .....	6	Chilled Water System.....	34
<b>1. DETERMINE BOILER LOCATION</b>		Freeze Protection.....	34
Provide Clearances.....	7	General Piping Information .....	34
Provide Air Openings to Room .....	9	Near Boiler Piping Components.....	35
Wall Mounting Location.....	9	Near Boiler Piping Connections .....	36-37
Residential Garage Installation .....	9	Circulator Sizing .....	37
Vent and Air Piping .....	9	<b>7. GAS CONNECTIONS</b>	
Prevent Combustion Air Contamination.....	9	Connecting Gas Supply Piping .....	42
Corrosive Contaminants and Sources .....	10	Natural Gas .....	43
Using an Existing Vent System to Install a New Boiler ...	10	Pipe Sizing for Natural Gas .....	43
Removing a Boiler from Existing Common Vent.....	11	Natural Gas Supply Pressure Requirements .....	43
<b>2. PREPARE BOILER</b>		Propane Gas .....	43
Gas Conversions.....	12	Pipe Sizing for Propane Gas .....	43
Remove Boiler from Wood Pallet.....	13	Propane Supply Pressure Requirements .....	43
Mounting the Boiler .....	13	Check Inlet Gas Supply .....	44
<b>3. GENERAL VENTING</b>		Gas Pressure .....	45
Direct Venting Options .....	14	Gas Valve Replacement .....	45
Install Vent and Combustion Air Piping .....	15	<b>8. FIELD WIRING</b>	
Sizing.....	16	Line Voltage Connections .....	46
Max. Allowable Vent Piping Lengths.....	16	Low Voltage Connections .....	46
Materials.....	17	<b>9. CONDENSATE DISPOSAL</b>	
Optional Room Air .....	18	Condensate Drain .....	51
PVC/CPVC .....	19	<b>10. STARTUP</b> .....	52-56
Polypropylene.....	20	<b>11. OPERATING INFORMATION</b>	
Stainless Steel Vent.....	21	General.....	57-58
<b>4. SIDEWALL DIRECT VENTING</b>		User/Installer Programming Sequence .....	59-60
Vent/Air Termination - Sidewall.....	22-25	Parameter Table .....	61
Determine Location.....	22-23	Viewable and Changeable Control Parameters.....	61
Prepare Wall Penetrations.....	24	Access Modes / Saving Parameters .....	62
Multiple Vent/Air Terminations .....	24	Cadet Heating Boiler Control Module .....	63
Sidewall Termination - Optional Concentric Vent .....	25-27	<b>12. MAINTENANCE</b>	
<b>5. VERTICAL DIRECT VENTING</b>		Maintenance and Annual Startup.....	64-68
Vent/Air Termination - Vertical .....	28-29	<b>13. TROUBLESHOOTING</b> .....	69-79
Determine Location.....	28	<b>14. COMBI</b> .....	80-84
Prepare Roof Penetrations .....	29	<b>15. DIAGRAMS</b>	
Multiple Vent/Air Terminations .....	29	Ladder Diagram (Standard) .....	85
Vertical Termination - Optional Concentric Vent.....	30-31	Wiring Diagram (Standard) .....	86
Alternate Vertical Concentric Venting .....	32-33	Ladder Diagram (Combi).....	87
		Wiring Diagram (Combi).....	88
		Revision Notes .....	Back Cover

## Hazard definitions

The following defined terms are used throughout this manual to bring attention to the presence of hazards of various risk levels or to important information concerning the life of the product.

### **DANGER**

DANGER indicates an imminently hazardous situation which, if not avoided, will result in death or serious injury.

### **WARNING**

WARNING indicates a potentially hazardous situation which, if not avoided, could result in death or serious injury.

### **CAUTION**

CAUTION indicates a potentially hazardous situation which, if not avoided, may result in minor or moderate injury.

### **CAUTION**

CAUTION used without the safety alert symbol indicates a potentially hazardous situation which, if not avoided, may result in property damage.

### **NOTICE**

NOTICE indicates special instructions on installation, operation, or maintenance that are important but not related to personal injury or property damage.

## Please read before proceeding

### ⚠ WARNING

**Installer** – Read all instructions, in this manual before installing. Perform steps in the order given.

**User** – This manual is for use only by a qualified heating installer/service technician. Refer to the User's Information Manual for your reference.

Have this boiler serviced/inspected by a qualified service technician, at least annually.

Failure to comply with the above could result in severe personal injury, death or substantial property damage.

### NOTICE

When calling or writing about the boiler – Please have the boiler model and serial number from the boiler rating plate.

Consider piping and installation when determining boiler location.

Any claims for damage or shortage in shipment must be filed immediately against the transportation company by the consignee.

Factory warranty (shipped with unit) does not apply to units improperly installed or improperly operated.

### ⚠ WARNING

Failure to adhere to the guidelines on this page can result in severe personal injury, death, or substantial property damage.

### ⚠ WARNING

If the information in this manual is not followed exactly, a fire or explosion may result causing property damage, personal injury or loss of life.

This appliance **MUST NOT** be installed in any location where gasoline or flammable vapors are likely to be present.

#### WHAT TO DO IF YOU SMELL GAS

- Do not try to light any appliance.
- Do not touch any electric switch; do not use any phone in your building.
- Immediately call your gas supplier from a near by phone. Follow the gas supplier's instructions.
- If you cannot reach your gas supplier, call the fire department.
- Installation and service must be performed by a qualified installer, service agency, or the gas supplier.

### ⚠ WARNING

DO NOT install units in rooms or environments that contain corrosive contaminants (see Table 1A on page 10). Failure to comply could result in severe personal injury, death, or substantial property damage.

#### When servicing boiler –

- To avoid electric shock, disconnect electrical supply before performing maintenance.
- To avoid severe burns, allow boiler to cool before performing maintenance.

#### Boiler operation –

- Do not block flow of combustion or ventilation air to the boiler.
- Should overheating occur or gas supply fail to shut off, do not turn off or disconnect electrical supply to circulator. Instead, shut off the gas supply at a location external to the appliance.
- Do not use this boiler if any part has been under water. The possible damage to a flooded appliance can be extensive and present numerous safety hazards. Any appliance that has been under water must be replaced.

#### Boiler water –

- Thoroughly flush the system (without boiler connected) to remove sediment. The high-efficiency heat exchanger can be damaged by build-up or corrosion due to sediment.
- Continual fresh make-up water will reduce boiler life. Mineral buildup in the heat exchanger reduces heat transfer, overheats the stainless steel heat exchanger, and causes failure. Addition of oxygen carried in by makeup water can cause internal corrosion in system components. Leaks in boiler or piping must be repaired at once to prevent makeup water.

### ⚠ CAUTION

Do not use petroleum-based cleaning or sealing compounds in the boiler system. Gaskets and seals in the system may be damaged. This can result in substantial property damage.

### ⚠ CAUTION

Do not use “homemade cures” or “boiler patent medicines”. Serious damage to the boiler, personnel, and/or property may result.

#### Freeze protection fluids –

- NEVER use automotive antifreeze. Use only inhibited propylene glycol solutions, which are specifically formulated for hydronic systems. Ethylene glycol is toxic and can attack gaskets and seals used in hydronic systems.

# The Cadet Heating Boiler - How it works...

## 1. Heat exchanger

Allows system water to flow through specially designed coils for maximum heat transfer, while providing protection against flue gas corrosion. The coils are encased in a jacket that contains the combustion process.

## 2. Combustion chamber access cover

Allows access to the combustion side of the heat exchanger coils.

## 3. Blower

The blower pulls in air and gas through the venturi (item 5). Air and gas mix inside the blower and are pushed into the burner, where they burn inside the combustion chamber.

## 4. Gas valve

The gas valve senses the negative pressure created by the blower, allowing gas to flow only if the gas valve is powered and combustion air is flowing.

## 5. Venturi

The venturi controls air and gas flow into the burner.

## 6. Flue gas sensor (limit rated)

This sensor monitors the flue gas exit temperature. The control module will modulate and shut down the boiler if flue gas temperature gets too hot. This protects the flue pipe from overheating.

## 7. Boiler outlet temperature sensor (limit rated)

This sensor monitors boiler outlet water temperature (system supply). The control module will adjust boiler firing rate so the outlet temperature is correct.

## 8. Boiler inlet temperature sensor

This sensor monitors return water temperature (system return).

## 9. Temperature and pressure gauge (field installed, not shown)

Monitors the outlet temperature of the boiler as well as the system water pressure.

## 10. Electronic LCD display

The electronic display consists of 4 buttons, and a liquid crystal display. The display is used to make adjustments and read boiler status.

## 11. Flue pipe adapter

Allows for the connection of the vent pipe system to the boiler.

## 12. Burner (not shown)

Made with metal fiber and stainless steel construction, the burner uses pre-mixed air and gas and provides a wide range of firing rates.

## 13. Water outlet (system supply)

The water outlet is the water connection for water leaving the boiler and entering the system.

## 14. Water inlet (system return)

The water inlet is the water connection for water entering the boiler from the system.

## 15. Gas connection pipe

Threaded pipe connection of 1/2". This pipe should be connected to the incoming gas supply for the purpose of delivering gas to the boiler.

## 16. Boiler control module

The boiler control responds to internal and external signals and controls the blower, gas valve, and pumps to meet the demand.

## 17. Air intake adapter

Allows for the connection of the air intake pipe to the boiler.

## 18. High voltage junction box

The junction box contains the connection points for the line voltage power and all pumps.

## 19. Manual air vent

Designed to remove trapped air from the heat exchanger coils.

## 20. Low voltage connection board

The connection board is used to connect external low voltage devices.

## 21. Low voltage wiring connections (knockouts)

Conduit connection points for the low voltage connection board.

## 22. Condensate drain connection

The condensate drain connection provides a connection point to install a condensate drain line.

## 23. Front access cover

Provides access to all internal components.

## 24. Ignition electrode

Provides direct spark for igniting the burner.

## 25. Flame inspection window

The quartz glass window provides a view of the burner surface and flame.

## 26. Gas shutoff valve

Manual valve used to isolate the gas valve from the gas supply.

## 27. Relief valve

Protects the heat exchanger from an over pressure condition. The relief valve provided with the unit is set at 30 psi.

## 28. Flame sensor

Used by the control module to detect the presence of burner flame.

## 29. Line voltage wiring connections (inside junction box)

Conduit connection points for the high voltage junction box.

## 30. Air pressure switch

The air pressure switch detects blocked inlet conditions.

## 31. Transformer

The transformer provides 24V power to the integrated control.

## 32. Heat exchanger thermal fuse (not shown)

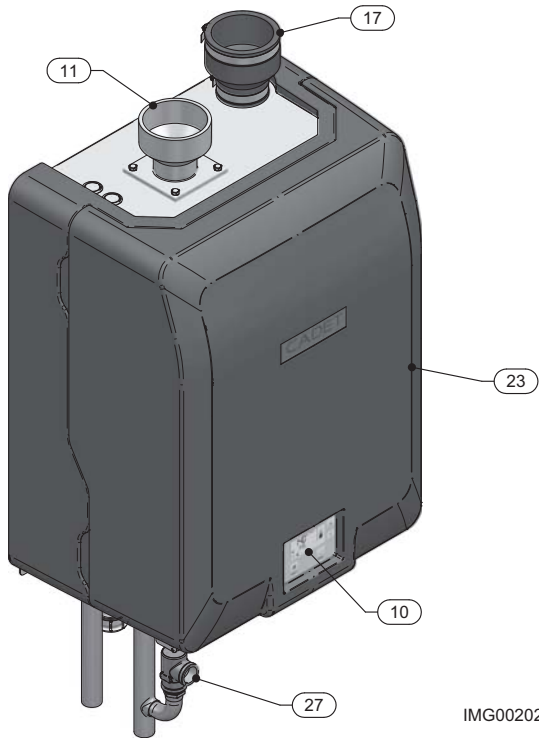
Thermal fuse which detects abnormal flue temperatures in the event there's no water or water circulation.

### CAUTION

In the event the thermal fuse opens, the heat exchanger MUST BE replaced.

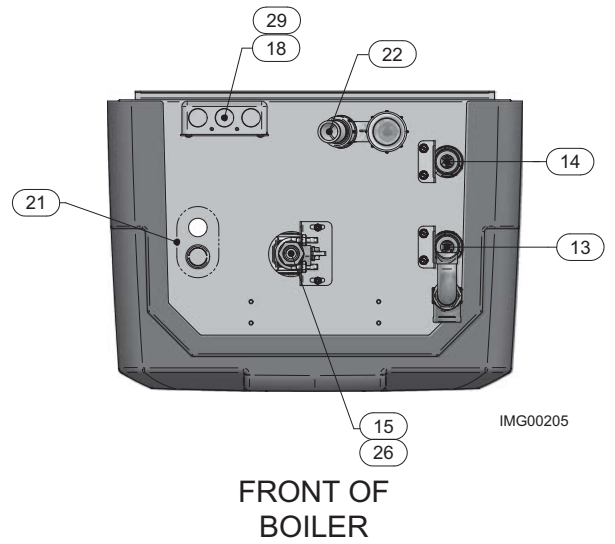
# The Cadet Heating Boiler - How it works... *(continued)*

Models 40 - 120



Front View

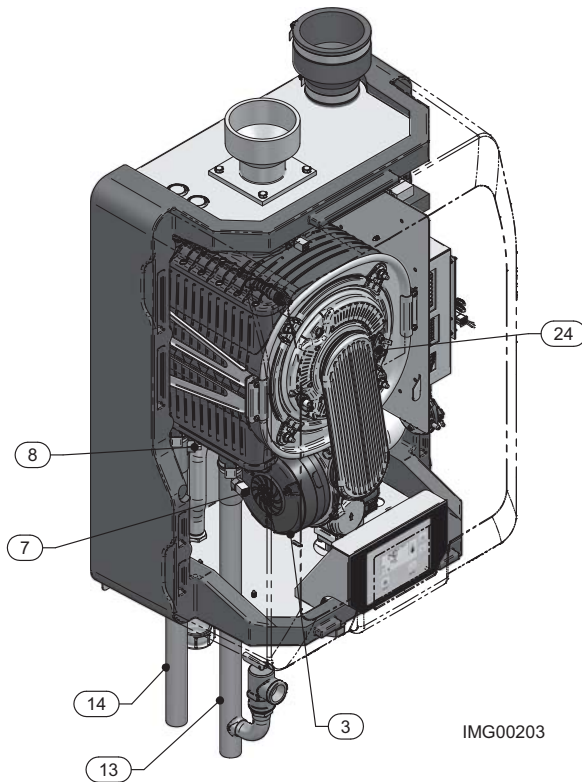
IMG00202



FRONT OF  
BOILER

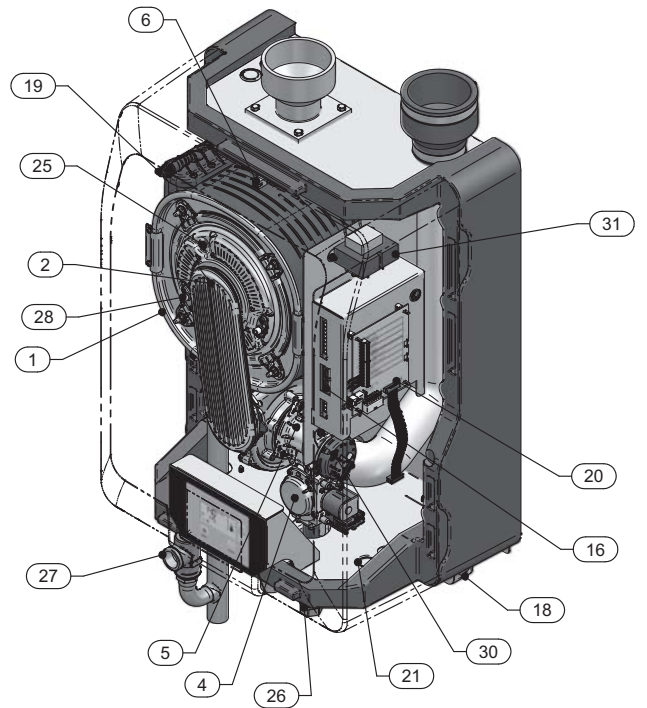
IMG00205

Bottom View



Left Side (inside unit)

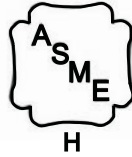
IMG00203



Right Side (inside unit)

IMG00204

# Ratings



Cadet Heating Boiler AHRI Rating						Other Specifications			
Model Number <small>Note: Change "N" to "L" for L.P. gas models.</small>	Input MBH <small>(Note 5)</small>		Heating Capacity MBH <small>(Note 2, 8)</small>	Net AHRI Ratings Water, MBH <small>(Note 3, 8)</small>	AFUE % <small>(Note 1, 8)</small>	Boiler Water Content Gallons	Water Connections	Gas Connections	Vent/Air Size <small>(Note 4)</small>
	Min	Max							
CDN040	9	40	37	32	94.0	.3	3/4"	1/2"	2"
CDN070	14	70	65	57	94.0	.4	1"	1/2"	2"
CDN100	20	100	93	81	94.0	.5	1"	1/2"	2"
C(C,D)(N)120	24	120	112	97	94.0	.6	1"	1/2"	3"

**NOTICE** Maximum allowed working pressure is located on the rating plate.

**Notes:**

- As an Energy Star Partner, the manufacturer has determined that Cadet heating boilers meet the Energy Star guidelines for energy efficiency.
- The ratings are based on standard test procedures prescribed by the United States Department of Energy.
- Net AHRI ratings are based on net installed radiation of sufficient quantity for the requirements of the building and nothing need be added for normal piping and pickup. Ratings are based on a piping and pickup allowance of 1.15.
- Cadet heating boilers require special gas venting. Use only the vent materials and methods specified in the Cadet Heating Boiler Installation and Operation Manual.
- Standard Cadet heating boilers are equipped to operate from sea level to 4,500 feet **only** with no adjustments. The boiler will de-rate by 4% for each 1,000 feet above sea level up to 4,500 feet.
- High altitude Cadet heating boilers are equipped to operate from 3,000 to 12,000 feet **only**. The boiler will de-rate by 2% for each 1,000 feet above sea level. High altitude models are manufactured with a different control module for altitude operation, but the operation given in this manual remains the same as the standard boilers. A high altitude label (as shown in FIG. A) is also affixed to the unit.
- The Cadet heating boiler input rate, on some models, is reduced for vent lengths beyond the minimum. Models CD(N,L)070 and CD(N,L)100 with 2" vent will reduce 1% for every 10 feet of vent. Models CD(N,L)120 with 3" vent will reduce 0.5% for every 10 feet of vent.
- Ratings have been confirmed by the Hydronics Institute, Section of AHRI.
- The manual reset high limit provided with the Cadet is listed to UL353.

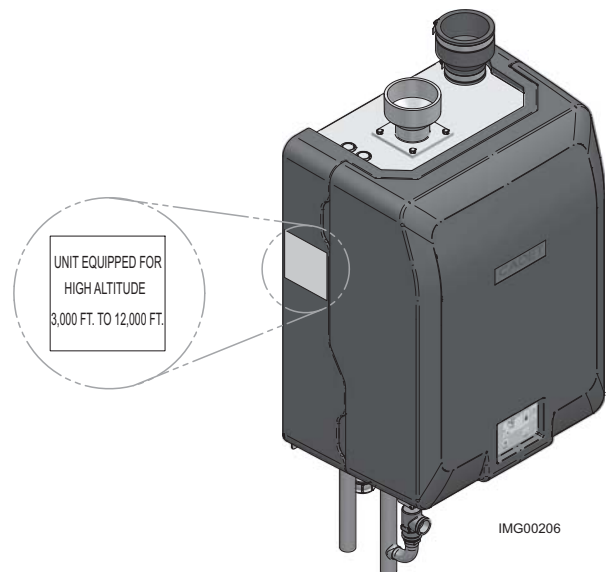


Figure A High Altitude Label Location

# 1 Determine boiler location

Installation must comply with:

- Local, state, provincial, and national codes, laws, regulations, and ordinances.
- National Fuel Gas Code, ANSI Z223.1 – latest edition.
- National Electrical Code.
- For Canada only: B149.1 Installation Code, CSA C22.1 Canadian Electrical Code Part 1 and any local codes.

## NOTICE

The Cadet heating boiler gas manifold and controls met safe lighting and other performance criteria when the boiler underwent tests specified in ANSI Z21.13 – latest edition.

Before locating the boiler, check:

1. Check for nearby connection to:
  - System water piping
  - Venting connections
  - Gas supply piping
  - Electrical power
2. Locate the appliance so that if water connections should leak, water damage will not occur. When such locations cannot be avoided, it is recommended that a suitable drain pan, adequately drained, be installed under the appliance. The pan must not restrict combustion air flow. Under no circumstances is the manufacturer to be held responsible for water damage in connection with this appliance, or any of its components.
3. Check area around the boiler. Remove any combustible materials, gasoline and other flammable liquids.

## WARNING

Failure to keep boiler area clear and free of combustible materials, gasoline, and other flammable liquids and vapors can result in severe personal injury, death, or substantial property damage.

4. The Cadet heating boiler must be installed so that gas control system components are protected from dripping or spraying water or rain during operation or service.
5. If a new boiler will replace an existing boiler, check for and correct system problems, such as:
  - System leaks causing oxygen corrosion or heat exchanger cracks from hard water deposits.
  - Incorrectly-sized expansion tank.
  - Lack of freeze protection in boiler water causing system and boiler to freeze and leak.
6. Check around the boiler for any potential air contaminants that could risk corrosion to the boiler or the boiler combustion air supply (see Table 1A on page 10). Prevent combustion air contamination. Remove any of these contaminants from the boiler area.

## WARNING

DO NOT install units in rooms or environments that contain corrosive contaminants (see Table 1A on page 10). Failure to comply could result in severe personal injury, death, or substantial property damage.

## WARNING

This appliance is certified as an indoor appliance. Do not install the appliance outdoors or locate where the appliance will be exposed to freezing temperatures or to temperatures that exceed 100°F.

Failure to install the appliance indoors could result in severe personal injury, death, or substantial property damage.

## WARNING

This appliance requires a special venting system. The vent connection to the appliance is made of CPVC. Field supplied vent fittings must be cemented to the CPVC fitting on the boiler. Use only the vent materials, primer, and cement specified in the manual to make the vent connections. Failure to follow this warning could result in fire, personal injury, or death.

## Closet and alcove installations

A closet is any room the boiler is installed in which is less than 64 cubic feet for CDN040 through CDN120 models, and 87 cubic feet for CEN120 models.

An alcove is any room which meets the criteria for a closet with the exception that it does not have a door.

**Example:** Room dimensions = 4 feet long, 3 feet wide, and 7 foot ceiling = 4 x 3 x 7 = 84 cubic feet. This would be considered a closet for a Cadet heating boiler.

## WARNING

For closet and alcove installations as shown in FIG.'s 1-1 and 1-2, CPVC, polypropylene or stainless steel vent material must be used inside the structure. The two ventilating air openings shown in FIG. 1-1 are required for this arrangement. Failure to follow this warning could result in fire, personal injury, or death.

Provide clearances:

### Clearances from combustible materials

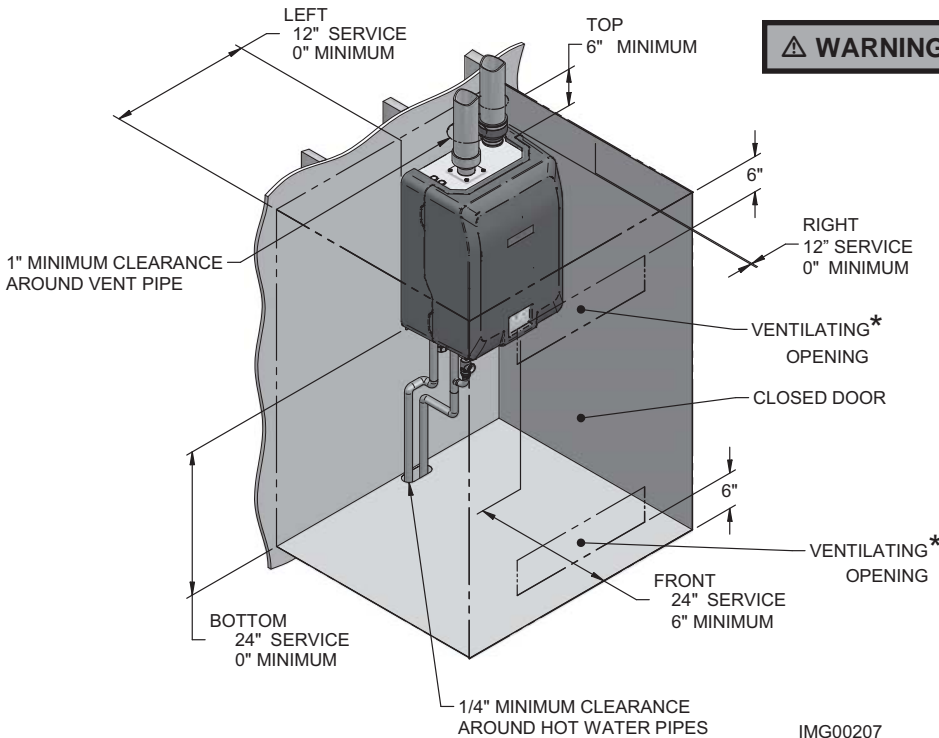
1. Hot water pipes—at least 1/4" from combustible materials.
2. Vent pipe – at least 1" from combustible materials.
3. See FIG.'s 1-1 and 1-2 on page 8 for other clearance minimums.

### Clearances for service access

1. See FIG.'s 1-1 and 1-2 on page 8 for recommended service clearances. If you do not provide the minimum clearances shown, it may not be possible to service the boiler without removing it from the space.

# 1 Determine boiler location

**Figure 1-1 Closet Installation - Minimum Required Clearances**



**⚠ WARNING**

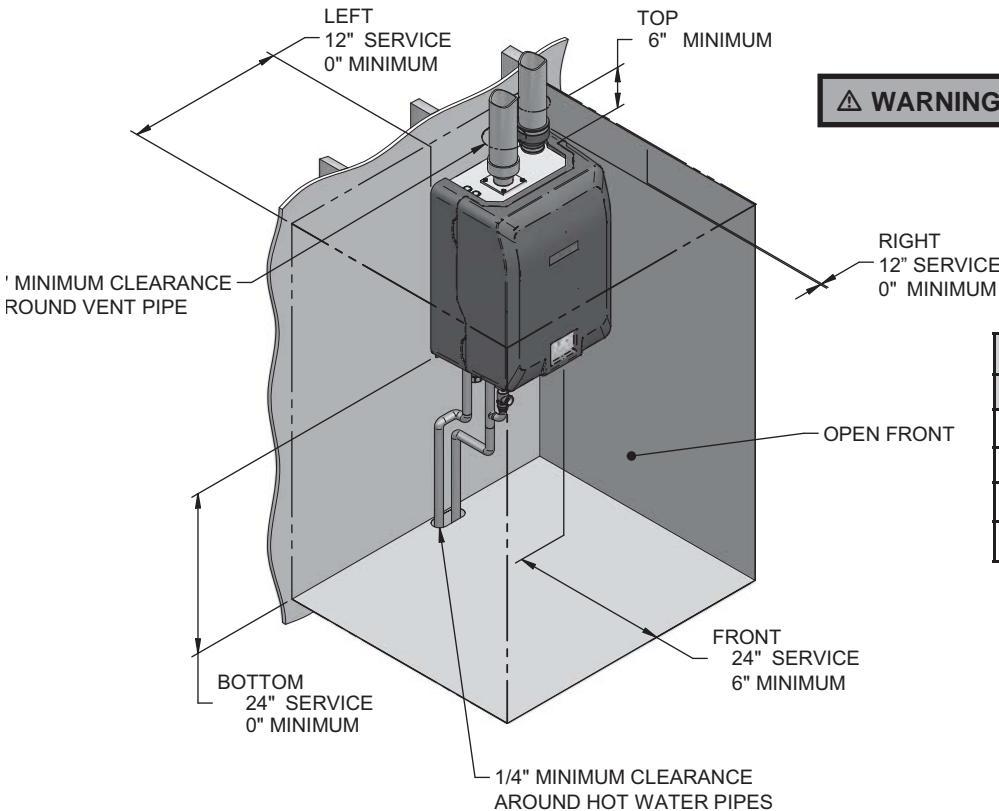
For closet installations, CPVC, polypropylene, or stainless steel vent material **MUST BE** used in a closet structure due to elevated temperatures. Failure to follow this warning could result in fire, personal injury, or death.

Required Combustible Clearances	
Location	Clearances
Top	6"
Bottom	0"
Left	0"
Right	0"

\* **AREA OF EACH OPENING:**  
1 SQ. INCH PER 1000 BTU PER HOUR INPUT  
WITH A MINIMUM OF 100 SQ. INCHES.

**Note:** Service clearances are recommendations only.

**Figure 1-2 Alcove Installation - Minimum Required Clearances**



**⚠ WARNING**

For alcove installations, CPVC, polypropylene, or stainless steel vent material **MUST BE** used in an alcove structure due to elevated temperatures. Failure to follow this warning could result in fire, personal injury, or death.

Required Combustible Clearances	
Location	Clearances
Top	6"
Bottom	0"
Left	0"
Right	0"

**Note:** Service clearances are recommendations only.

IMG00208

# 1 Determine boiler location *(continued)*

Provide air openings to room:

## Cadet heating boiler alone in boiler room

1. No air ventilation openings into the boiler room are needed when clearances around the Cadet heating boiler are at least equal to the SERVICE clearances shown in FIG.'s 1-1 and 1-2. For spaces that do NOT supply this clearance, provide two openings as shown in FIG. 1-1. Each opening must provide one square inch free area per 1,000 Btu/hr of boiler input.

## Cadet heating boiler in same space with other gas or oil-fired appliances

1. Follow the National Fuel Gas Code (U.S.) or CSA B149.1 (Canada) to size/verify size of the combustion/ventilation air openings into the space.

**⚠ WARNING** The space must be provided with combustion/ventilation air openings correctly sized for all other appliances located in the same space as the Cadet heating boiler.

Do not install the boiler in an attic.

Failure to comply with the above warnings could result in severe personal injury, death, or substantial property damage.

2. Size openings only on the basis of the other appliances in the space. No additional air opening free area is needed for the Cadet heating boiler because it takes its combustion air from outside (direct vent installation).

## Wall mounting location

Ensure the wall for which the boiler is intended to be mounted is comprised of either, cement, brick, block, or wooden studs spaced 16" apart from center. Ensure the wall is capable of supporting at least 200 pounds.

If flooding is possible, elevate the boiler sufficiently to prevent water from reaching the boiler.

Ensure the boiler is installed in a location that minimizes the risk of water damage due to valves, pumps, etc.

## Residential garage installation

### Precautions

Take the following precautions when installing the appliance in a residential garage. If the appliance is located in a residential garage, it should be installed in compliance with the latest edition of the National Fuel Gas Code, ANSI Z223.1 and/or CAN/CGA-B149 Installation Code.

- Appliances located in residential garages and in adjacent spaces that open to the garage and are not part of the living space of a dwelling shall be installed so that all burners and burner ignition devices are located not less than 18 inches (46 cm) above the floor.
- The appliance shall be located or protected so that it is not subject to physical damage by a moving vehicle.

## Vent and air piping

The Cadet heating boiler requires a special vent system, designed for pressurized venting.

The boiler is to be used for either direct vent installation or for installation using indoor combustion air. When room air is considered, see Section 3, General Venting. Note prevention of combustion air contamination below when considering vent/air termination.

Vent and air must terminate near one another and may be vented vertically through the roof or out a side wall, unless otherwise specified. You may use any of the vent/air piping methods covered in this manual. Do not attempt to install the Cadet heating boiler using any other means.

Be sure to locate the boiler such that the vent and air piping can be routed through the building and properly terminated. The vent/air piping lengths, routing and termination method must all comply with the methods and limits given in this manual.

## Prevent combustion air contamination

Install air inlet piping for the Cadet heating boiler as described in this manual. Do not terminate vent/air in locations that can allow contamination of combustion air. Refer to Table 1A, page 10 for products and areas which may cause contaminated combustion air.

**⚠ WARNING** You must pipe combustion air to the boiler air intake. Ensure that the combustion air will not contain any of the contaminants in Table 1A, page 10. Contaminated combustion air will damage the boiler, resulting in possible severe personal injury, death or substantial property damage. Do not pipe combustion air near a swimming pool, for example. Also, avoid areas subject to exhaust fumes from laundry facilities. These areas will always contain contaminants.

# 1 Determine boiler location

**Table 1A Corrosive Contaminants and Sources**

Products to avoid:
Spray cans containing chloro/fluorocarbons
Permanent wave solutions
Chlorinated waxes/cleaners
Chlorine-based swimming pool chemicals
Calcium chloride used for thawing
Sodium chloride used for water softening
Refrigerant leaks
Paint or varnish removers
Hydrochloric acid/muriatic acid
Cements and glues
Antistatic fabric softeners used in clothes dryers
Chlorine-type bleaches, detergents, and cleaning solvents found in household laundry rooms
Adhesives used to fasten building products and other similar products
Areas likely to have contaminants
Dry cleaning/laundry areas and establishments
Swimming pools
Metal fabrication plants
Beauty shops
Refrigeration repair shops
Photo processing plants
Auto body shops
Plastic manufacturing plants
Furniture refinishing areas and establishments
New building construction
Remodeling areas
Garages with workshops

When using an existing vent system to install a new boiler:

**⚠ WARNING**

Failure to follow all instructions can result in flue gas spillage and carbon monoxide emissions, causing severe personal injury or death.

Check the following venting components before installing:

- **Material** - For materials listed for use with this appliance, see Section 3 - General Venting. For polypropylene or stainless steel venting, an adapter of the same manufacturer must be used at the flue collar connection.
- **Size** - To ensure proper pipe size is in place, see Table 3A. Check to see that this size is used throughout the vent system.
- **Manufacturer** - For a polypropylene or stainless steel application, you must use only the listed manufacturers and their type product listed in Tables 3D and 3F for CAT IV positive pressure venting with flue producing condensate.
- **Supports** - Non-combustible supports must be in place allowing a minimum 1/4" rise per foot. The supports should adequately prevent sagging and vertical slippage, by distributing the vent system weight. For additional information, consult the vent manufacturer's instructions for installation.
- **Terminations** - Carefully review Sections 3 through 5 to ensure requirements for the location of the vent and air terminations are met and orientation of these fit the appropriate image from the Sidewall or Vertical options listed in the General Venting Section. For stainless steel vent, only use terminations listed in Table 3B for the manufacturer of the installed vent.
- **Seal** - With prior requirements met, the system should be tested to the procedure listed in parts (c) through (f) of the Removal of an Existing Boiler Section on page 11.

With polypropylene and stainless steel vent, seal and connect all pipe and components as specified by the vent manufacturer used; with PVC/CPVC vent, see the Installing Vent or Air Piping Section on page 19.

**⚠ WARNING**

If any of these conditions are not met, the existing system must be updated or replaced for that concern. Failure to follow all instructions can result in flue gas spillage and carbon monoxide emissions, causing severe personal injury or death.

# 1 Determine boiler location *(continued)*

When removing a boiler from existing common vent system:

**⚠ DANGER**

Do not install the Cadet heating boiler into a common vent with any other appliance. This will cause flue gas spillage or appliance malfunction, resulting in possible severe personal injury, death, or substantial property damage.

**⚠ WARNING**

Failure to follow all instructions can result in flue gas spillage and carbon monoxide emissions, causing severe personal injury or death.

At the time of removal of an existing boiler, the following steps shall be followed with each appliance remaining connected to the common venting system placed in operation, while the other appliances remaining connected to the common venting system are not in operation.

- a. Seal any unused openings in the common venting system.
- b. Visually inspect the venting system for proper size and horizontal pitch and determine there is no blockage or restriction, leakage, corrosion, or other deficiencies, which could cause an unsafe condition.
- c. Test vent system – Insofar as is practical, close all building doors and windows and all doors between the space in which the appliances remaining connected to the common venting system are located and other spaces of the building. Turn on clothes dryers and any appliance not connected to the common venting system. Turn on any exhaust fans, such as range hoods and bathroom exhausts, so they will operate at maximum speed. Do not operate a summer exhaust fan. Close fireplace dampers.
- d. Place in operation the appliance being inspected. Follow the lighting instructions. Adjust thermostat so appliance will operate continuously.
- e. Test for spillage at the draft hood relief opening after 5 minutes of main burner operation. Use the flame of a match or candle, or smoke from a cigarette, cigar, or pipe.
- f. After it has been determined that each appliance remaining connected to the common venting system properly vents when tested as outlined herein, return doors, windows, exhaust fans, fireplace dampers, and any other gas-burning appliance to their previous conditions of use.
- g. Any improper operation of the common venting system should be corrected so the installation conforms with the National Fuel Gas Code, ANSI Z223.1/NFPA 54 and/or CAN/CSA B149.1, Natural Gas and Propane Installation Code. When resizing any portion of the common venting system, the common venting system should be resized to approach the minimum size as determined using the appropriate tables in Part 11 of the National Fuel Gas Code, ANSI Z223.1/NFPA and/or CAN/CSA B149.1, Natural Gas and Propane Installation Code.

## 2 Prepare boiler

### Gas conversions

**WARNING** The gas conversion procedure should be accomplished BEFORE the boiler is installed. For a boiler already installed, you must turn off gas supply, turn off power, and allow the boiler to cool before proceeding. You must also completely test the boiler after conversion to verify performance as described under Start-up, Section 10 of this manual.

You must install the propane orifice to fire the Cadet heating boiler on propane. Verify when installing that the orifice size marking matches boiler size (Table 2A). Failure to comply could result in severe personal injury, death, or substantial property damage.

**Table 2A LP Conversion Table**

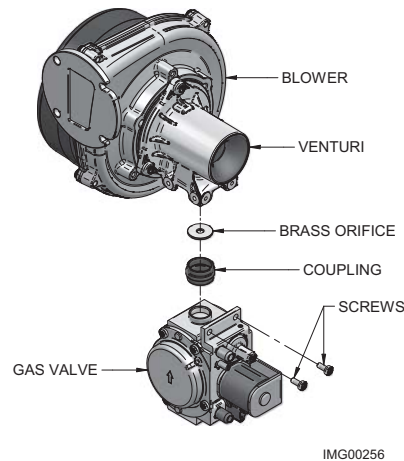
LP Conversion Table	
Model	LP Orifice Stamping
40	40/70
70	
100	100/120
120/ 120 (combi)	

1. Remove the front access cover from the unit (no tools required for removal).
2. Disconnect the ribbon cable from the control board. Remove the four (4) screws securing the display to the front of the unit and remove the display.
3. Disconnect the wiring harness from the wiring connector located on the gas valve.
4. Using a torx wrench, remove the two (2) screws securing the gas valve to the venturi along with the black rubber coupling on the gas valve (natural) (FIG. 2-1).
5. Locate the propane orifice disk from the conversion kit bag. Verify that the stamping on the orifice disk matches the boiler size (40 - 120, see Table 2A).
6. Place the propane orifice disk inside the black rubber coupling, then place the black rubber coupling on the smooth male fitting of the gas valve and secure to the venturi (see FIG. 2-1).
7. Reposition the gas valve against the venturi and replace the two (2) screws removed in Step 4, securing the valve to the venturi (FIG. 2-1).
8. Reattach the wiring harness to the gas valve.
9. After installation is complete, fill out the gas conversion label (in the conversion kit bag) and affix it to the unit above the boiler rating plate outside the unit. Hang the LP warning label (in the conversion kit bag) on the gas pipe underneath the boiler (FIG. 2-2).
10. Replace the front access cover.

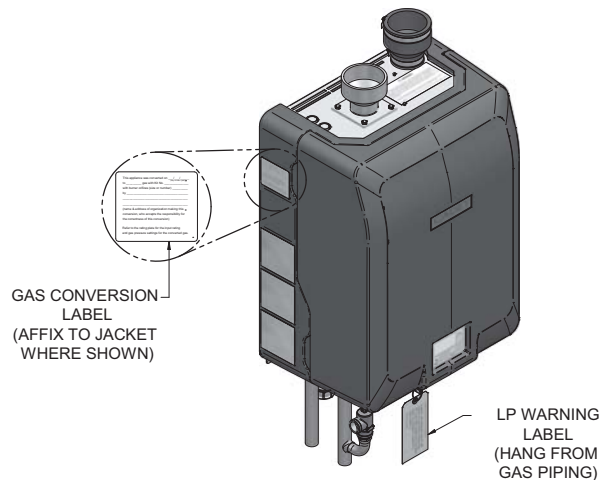
**WARNING**

After converting to LP, check combustion per the Start-up procedure in Section 10 of this manual. Failure to check and verify combustion could result in severe personal injury, death, or substantial property damage.

**Figure 2-1 Installing Propane Orifice**



**Figure 2-2 Gas Conversion Label Location**



### Remove boiler from wood pallet

1. After removing the outer shipping carton from the boiler, remove the parts box.
2. To remove the boiler from the pallet:
  - a. Remove the two (2) lag bolts securing the bottom of the unit to the pallet.
  - b. Lift the boiler off the wall bracket mounted to the pallet.

**CAUTION**

Do not attempt to use the copper pipes to lift the boiler (FIG. 2-3).

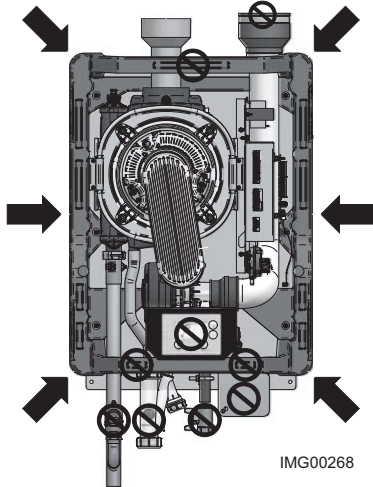
## 2 Prepare boiler *(continued)*

- Remove the two (2) lag bolts securing the wall bracket to the wood pallet. Be certain not to lose the wall bracket as it will be needed for securing the boiler to the wall (FIG. 2-4).

**NOTICE**

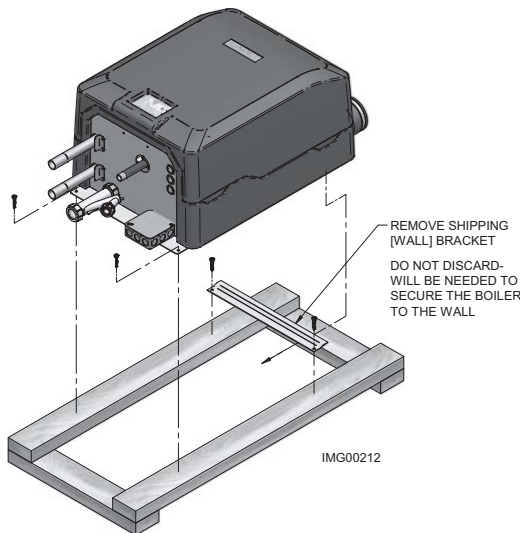
Do not drop the boiler. Damage to the boiler can result.

**Figure 2-3** Acceptable Lifting Locations



IMG00268

**Figure 2-4** Boiler Mounted on Shipping Pallet



IMG00212

### Mounting the boiler

See page 9 of this manual for boiler mounting location instructions.

**NOTICE**

The Cadet heating boiler is not intended for floor installation.

### Mounting to a wood studded wall:

- The wall mount bracket is designed for a stud spacing of 16 inches from center (FIG. 2-5). For other stud spacing a solid mounting surface must be provided by the installer.

**WARNING**

Do not mount the boiler to a hollow wall. Be sure to mount the boiler to the studs only.

- Mount the wall bracket using the 2 1/4" lag bolts provided. Make sure the top edge of the bracket is away from the wall. Ensure the bracket is level when mounted. Extreme care is needed to ensure the bolts are secured in the center of the studs.
- Hang the boiler on the bracket and secure the bottom of the boiler with two (2) additional lag bolts provided.

**WARNING**

The boiler is too heavy for a single person to lift. A minimum of two people is needed for mounting the boiler onto the bracket.

### Mounting to a concrete wall:

- Mount the wall bracket using the two (2) wedge anchor bolts provided with the bracket (FIG. 2-5). To mount the wedge anchor bolts, drill a 1/4" diameter hole 1 1/8" deep and insert anchor. Hang the bracket from the anchor and secure with the two nuts provided. Make sure the top edge of the bracket is away from the wall. Ensure bracket is level when mounted.

**Note:** If wall thickness does not allow a 1 1/8" deep hole, field supplied hardware suitable for the application should be provided.

- Hang the boiler on the bracket and secure the bottom of the boiler with two (2) remaining anchors, following the instructions above.

### Mounting to a metal studded wall:

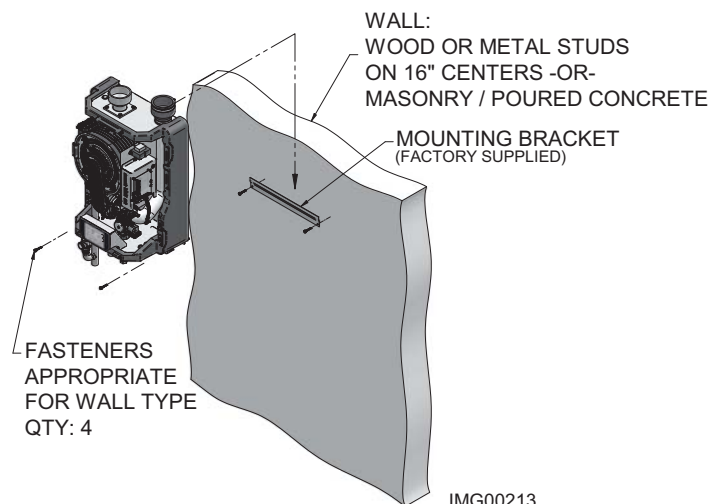
- The wall mount bracket is designed for a stud spacing of 16 inches from center (FIG. 2-5). For other stud spacing a solid mounting surface must be provided by the installer.

**WARNING**

Do not mount the boiler to a hollow wall. Be sure to mount the boiler to the studs only.

- Mount the wall bracket using two (2) field supplied toggle bolts capable of supporting 100 pounds each. Ensure the top edge of the bracket is away from the wall. Ensure the bracket is level when mounted. Extreme care is needed to ensure the bolts are secured in the center of the studs.
- Hang the boiler on the bracket and secure the bottom of the boiler with two (2) field supplied toggle bolts.

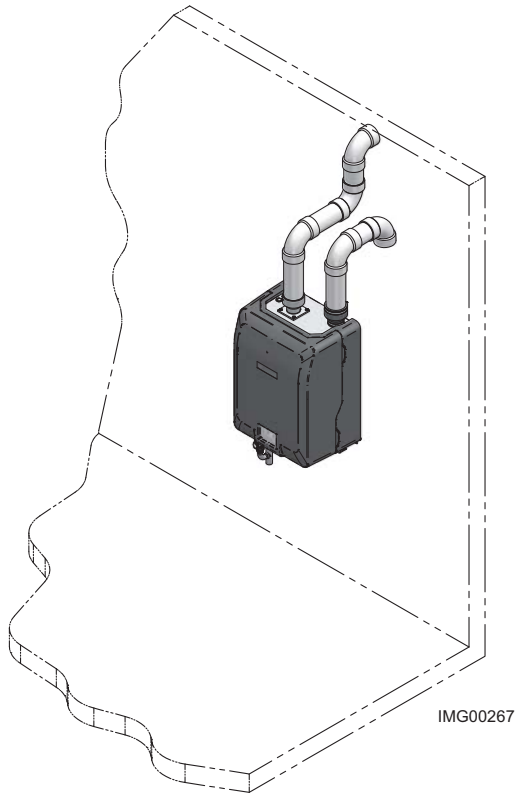
**Figure 2-5** Mounting the Boiler



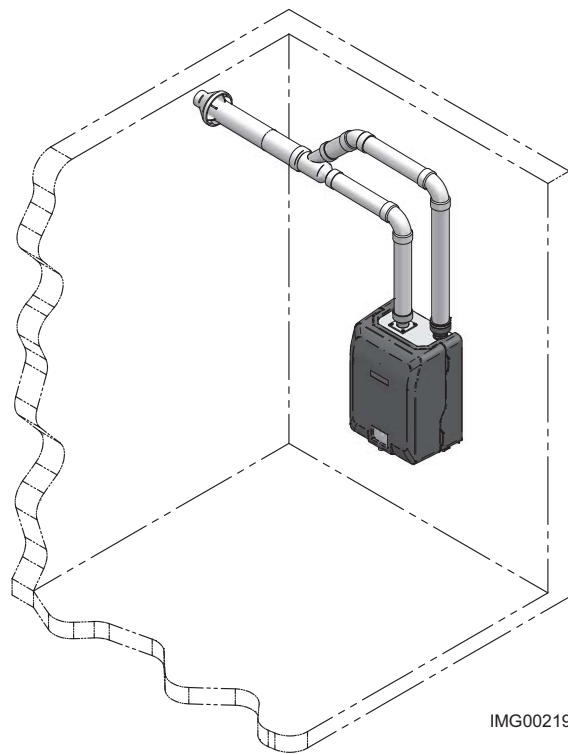
IMG00213

### 3 General venting

#### Direct venting options - Sidewall Vent

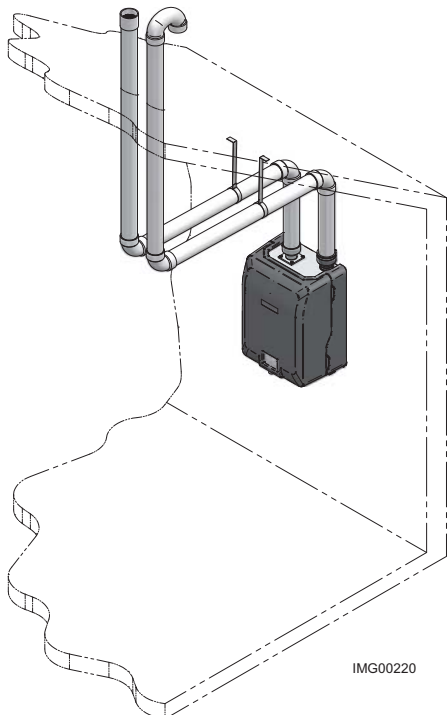


**Figure 3-1** Two-Pipe Sidewall Termination - See page 22 for more details

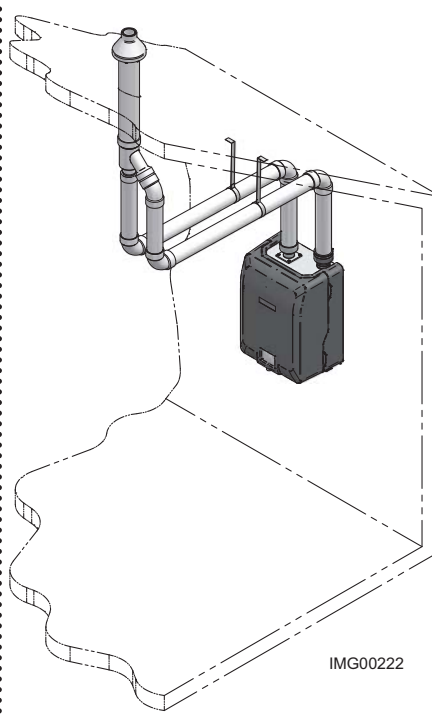


**Figure 3-2** PVC/CPVC Concentric Sidewall Termination - See page 25 for more details

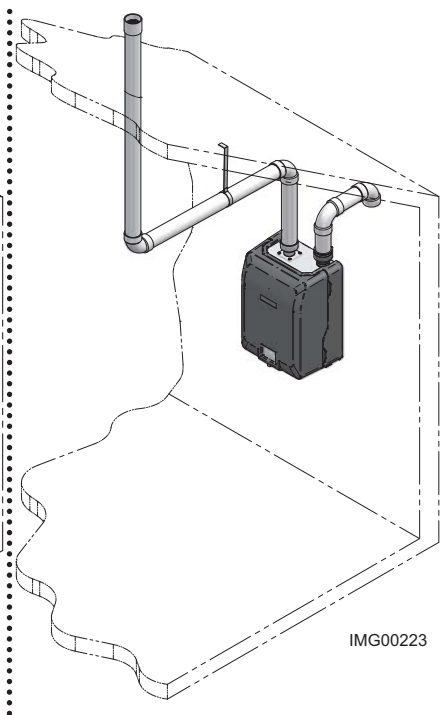
#### Direct venting options - Vertical Vent



**Figure 3-3** Two-Pipe Vertical Termination - See page 28 for more details



**Figure 3-4** PVC/CPVC Concentric Vertical Termination - See page 30 for more details



**Figure 3-5** Vertical Vent, Sidewall Air

### 3 General venting *(continued)*

#### Install vent and combustion air piping

**⚠ DANGER**

The Cadet boiler must be vented and supplied with combustion and ventilation air as described in this section. Ensure the vent and air piping and the combustion air supply comply with these instructions regarding vent system, air system, and combustion air quality. See also Section 1 of this manual.

Inspect finished vent and air piping thoroughly to ensure all are airtight and comply with the instructions provided and with all requirements of applicable codes.

Failure to provide a properly installed vent and air system will cause severe personal injury or death.

**⚠ WARNING**

This appliance requires a special venting system. Use only approved PVC, CPVC, polypropylene or stainless steel pipe and fittings listed in Tables 3C, 3D, and 3F for vent pipe, and fittings. Failure to comply could result in severe personal injury, death, or substantial property damage.

**⚠ WARNING**

DO NOT mix components from different systems. The vent system could fail, causing leakage of flue products into the living space. Mixing of venting materials will void the warranty and certification of the appliance.

**NOTICE**

Installation must comply with local requirements and with the National Fuel Gas Code, ANSI Z223.1 for U.S. installations or CSA B149.1 for Canadian installations.

**⚠ WARNING**

For closet and alcove installations, CPVC, polypropylene or stainless steel material **MUST BE** used in a closet/alcove structure. Failure to follow this warning could result in fire, personal injury, or death.

**⚠ CAUTION**

Improper installation of venting systems may result in injury or death.

**NOTICE**

Follow the instructions in Section 1, page 10 of this manual when removing a boiler from an existing vent system.

**⚠ WARNING**

Do not connect any other appliance to the vent pipe or multiple boilers to a common vent pipe. Failure to comply could result in severe personal injury, death, or substantial property damage.

The Cadet boiler vent and air piping can be installed through the roof or through a sidewall. Follow the procedures in this manual for the method chosen. Refer to the information in this manual to determine acceptable vent and air piping length.

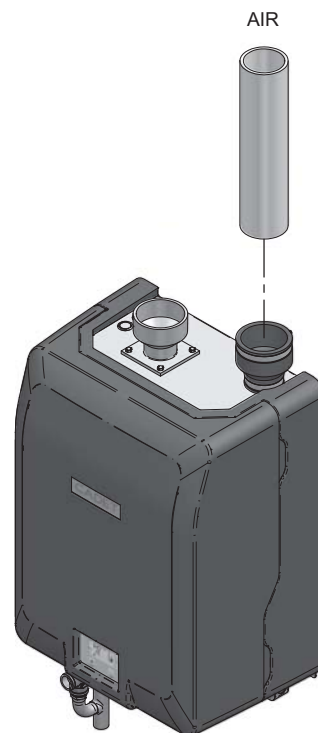
You may use any of the vent/air piping methods covered in this manual. Do not attempt to install the Cadet boiler using any other means.

You must also install air piping from outside to the boiler air intake adapter unless following the Optional Room Air instructions on page 18 of this manual. The resultant installation is direct vent (sealed combustion).

#### Air intake/vent connections

1. **Combustion Air Intake Connector** (FIG. 3-6) - Used to provide combustion air directly to the unit from outdoors. A fitting is provided on the unit for final connection. Combustion air piping must be supported per guidelines listed in the National Mechanical Code, Section 305, Table 305.4 or as local codes dictate.
2. **Vent Connector** (FIG.'s 3-6 thru 3-10) - Used to provide a passageway for conveying combustion gases to the outside. A transition fitting is provided on the unit for final connection. Vent piping must be supported per the National Building Code, Section 305, Table 305.4 or as local codes dictate.

**Figure 3-6 Near Boiler Air Piping**



# 3 General venting

## Sizing

The Cadet boiler uses model specific combustion air intake and vent piping sizes as detailed in Table 3A below.

**Table 3A** Air Intake/Vent Piping Sizes

Model	2" Max Vent/Air	3" Max Vent/Air
40	100 feet	100 feet
70	100 feet	100 feet
100	50 feet	100 feet
120	N/A	100 feet
120 (C)	N/A	100 feet

**NOTICE**

Increasing or decreasing combustion air or vent piping sizes is not authorized.

Minimum / Maximum allowable combustion air and vent piping lengths are as follows:

**Combustion Air** = 7 equivalent feet minimum / 100 equivalent feet maximum

**Vent** = 7 equivalent feet minimum / 100 equivalent feet maximum

When determining equivalent combustion air and vent length, add 5 feet for each 90° elbow and 3 feet for each 45° elbow.

**EXAMPLE:** 20 feet of PVC pipe + (4) 90° elbows + (2) 45° elbows + (1) concentric vent kit (CVK3003) = 49 equivalent feet of piping.

**NOTICE**

The appliance output rating will reduce by up to 1.5% for each 25 feet of vent length.

**Table 3B** Concentric Vent Kit Equivalent Vent Lengths

Model	Kit Number	Equivalent Vent Length
40 - 100	CVK3008	3 feet
120	CVK3003	3 feet

## 3 General venting *(continued)*

### Materials

#### Air inlet pipe materials:

The air inlet pipe(s) must be sealed. Choose acceptable combustion air inlet pipe materials from the following list:

PVC, CPVC, Polypropylene or ABS

Galvanized steel vent pipe with joints and seams sealed as specified in this section.

Type “B” double-wall vent with joints and seams sealed as specified in this section.

AL29-4C, stainless steel material to be sealed to specification of its manufacturer.

\*Plastic pipe may require an adapter (not provided) to transition between the air inlet connection on the appliance and the plastic air inlet pipe.

**⚠ WARNING**

Using air intake materials other than those specified can result in personal injury, death or property damage.

**NOTICE**

The use of double-wall vent or insulated material for the combustion air inlet pipe is recommended in cold climates to prevent the condensation of airborne moisture in the incoming combustion air.

Sealing of Type “B” double-wall vent material or galvanized vent pipe material used for air inlet piping on a sidewall or vertical rooftop Combustion Air Supply System:

- Seal all joints and seams of the air inlet pipe using either Aluminum Foil Duct Tape meeting UL Standard 723 or 181A-P or a high quality UL Listed silicone sealant such as those manufactured by Dow Corning or General Electric.
- Do not install seams of vent pipe on the bottom of horizontal runs.
- Secure all joints with a minimum of three (3) sheet metal screws or pop rivets. Apply Aluminum Foil Duct Tape or silicone sealant to all screws or rivets installed in the vent pipe.
- Ensure that the air inlet pipes are properly supported.

The PVC, CPVC, or ABS air inlet pipe should be cleaned and sealed with the pipe manufacturer’s recommended solvents and standard commercial pipe cement for the material used. The PVC, CPVC, ABS, or Flex Duct air inlet pipe should use a silicone sealant to ensure a proper seal at the appliance connection and the air inlet cap connection. Dryer vent or flex duct should use a screw type clamp to seal the vent to the appliance air inlet and the air inlet cap. Proper sealing of the air inlet pipe ensures that combustion air will be free of contaminants and supplied in proper volume.

When a sidewall or vertical rooftop combustion air supply system is disconnected for any reason, the air inlet pipe must be resealed to ensure that combustion air will be free of contaminants and supplied in proper volume.

**⚠ DANGER**

Failure to properly seal all joints and seams as required in the air inlet piping may result in flue gas recirculation, spillage of flue products and carbon monoxide emissions causing severe personal injury or death.

# 3 General venting

## Optional room air

**NOTICE** Optional room air is intended for commercial applications. Combustion air piping to the outside is recommended for residential applications.

Commercial applications utilizing the Cadet heating boiler may be installed with a single pipe carrying the flue products to the outside while using combustion air from the equipment room. In order to use the room air venting option the following conditions and considerations must be followed.

- The unit **MUST** be installed with the appropriate room air kit (Table 3C).
- The equipment room **MUST** be provided with properly sized openings to assure adequate combustion air. Please refer to instructions provided with the room air kit.
- There will be a noticeable increase in the noise level during normal operation from the inlet air opening.
- Using the room air kit makes the unit vulnerable to combustion air contamination from within the building. Please review Section 1, Prevent Combustion Air Contamination, to ensure proper installation.
- Vent system and terminations must comply with the standard venting instructions set forth in this manual.

**WARNING** When utilizing the single pipe method, provisions for combustion and ventilation air must be in accordance with Air for Combustion and Ventilation, of the latest edition of the National Fuel Gas Code, ANSI Z223.1, in Canada, the latest edition of CGA Standard B149 Installation Code for Gas Burning Appliances and Equipment, or applicable provisions of the local building codes.

Please read the information given in Table 1A, page 10, listing contaminants and areas likely to contain them. If contaminating chemicals will be present near the location of the boiler combustion air inlet, have your installer pipe the boiler combustion air and vent to another location, per this manual.

**WARNING** If the boiler combustion air inlet is located in a laundry room or pool facility, for example, these areas will always contain hazardous contaminants.

**WARNING** To prevent the potential of severe personal injury or death, check for areas and products listed in Table 1A, page 10 before installing the boiler or air inlet piping.

- If contaminants are found, you **MUST**:
- Remove contaminants permanently.
  - OR—
  - Relocate air inlet and vent terminations to other areas.

**Table 3C** Optional Room Air Kit

Model	Kit Number
40 - 100	KIT30051
120	KIT30052

### Air contamination

Pool and laundry products and common household and hobby products often contain fluorine or chlorine compounds. When these chemicals pass through the boiler, they can form strong acids. The acid can eat through the boiler wall, causing serious damage and presenting a possible threat of flue gas spillage or boiler water leakage into the building.

### 3 General venting *(continued)*

**PVC/CPVC:**

This product has been approved for use with the PVC/CPVC vent materials listed in Table 3D.

**Installing vent and air piping**

**⚠ WARNING** The flue pipe adapter acts as the CPVC starter pipe section provided with the appliance if PVC/CPVC vent is to be used (FIG. 3-7). The field provided vent fittings must be cemented to the CPVC pipe section using an “All Purpose Cement” suitable for PVC and CPVC pipe. Use only the vent materials, primer, and cement specified in Table 3D to make the vent connections. Failure to follow this warning could result in fire, personal injury, or death.

**NOTICE** Use only cleaners, primers, and solvents that are approved for the materials which are joined together.

**NOTICE** All PVC vent pipes must be glued, properly supported, and the exhaust must be pitched a minimum of a 1/4 inch per foot back to the boiler (to allow drainage of condensate).

**⚠ WARNING** Insulation should not be used on PVC or CPVC venting materials. The use of insulation will cause increased vent wall temperatures, which could result in vent pipe failure.

**⚠ WARNING** For installations using 2" vent, the first seven (7) equivalent feet of vent must be CPVC (field supplied). See examples below.

**⚠ WARNING** For models 40 - 100 when transitioning from 2" to 3" vent diameter, a 2" pipe section and 2" to 3" increaser are required to be CPVC when PVC/CPVC vent is used.

- Examples:**
1. Seven (7) feet vertical
  2. Connector + 90° elbow + 2 feet horizontal
  3. One (1) foot vertical + 90° elbow + 1 foot horizontal

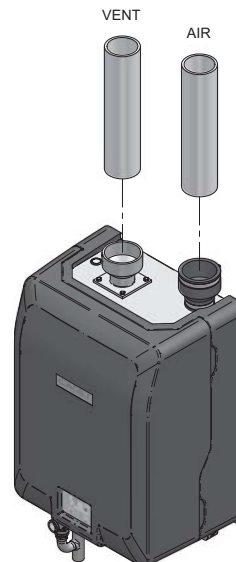
**Table 3D PVC/CPVC Vent Pipe, and Fittings**

Approved PVC/CPVC Vent Pipe and Fittings		
Item	Material	Standard
Vent pipe	PVC Schedule 40, 80	ANSI/ASTM D1785
	PVC - DWV	ANSI/ASTM D2665
	CPVC Schedule 40, 80	ANSI/ASTM F441
Vent fittings	PVC Schedule 40	ANSI/ASTM D2466
	PVC Schedule 80	ANSI/ASTM D2467
	CPVC Schedule 80	ANSI/ASTM F439
Pipe Cement / Primer	PVC	ANSI/ASTM D2564
	CPVC	ANSI/ASTM F493
<b>NOTICE: DO NOT USE CELLULAR (FOAM) CORE PIPE</b>		

**NOTE:** In Canada, CPVC and PVC vent pipe, fittings and cement/primer must be ULC-S636 certified.

1. Work from the boiler to vent or air termination. Do not exceed the lengths given in this manual for the air or vent piping.
2. Cut pipe to the required lengths and deburr the inside and outside of the pipe ends.
3. Chamfer outside of each pipe end to ensure even cement distribution when joining.
4. Clean all pipe ends and fittings using a clean dry rag. (Moisture will retard curing and dirt or grease will prevent adhesion.)
5. Dry fit vent or air piping to ensure proper fit up before assembling any joint. The pipe should go a third to two-thirds into the fitting to ensure proper sealing after cement is applied.
6. Priming and Cementing:
  - a. Handle fittings and pipes carefully to prevent contamination of surfaces.
  - b. Apply a liberal even coat of primer to the fitting socket and to the pipe end to approximately 1/2" beyond the socket depth.
  - c. Apply a second primer coat to the fitting socket.
  - d. While primer is still wet, apply an even coat of approved cement to the pipe equal to the depth of the fitting socket along with an even coat of approved cement to the fitting socket.
  - e. Apply a second coat of cement to the pipe.
  - f. While the cement is still wet, insert the pipe into the fitting, if possible twist the pipe a 1/4 turn as you insert it. **NOTE:** If voids are present, sufficient cement was not applied and joint could be defective.
  - g. Wipe excess cement from the joint removing ring or beads as it will needlessly soften the pipe.

**Figure 3-7 Near Boiler PVC/CPVC Venting**



IMG00225

# 3 General venting

## Polypropylene:

This product has been approved for use with polypropylene vent with the manufacturers listed in Table 3E.

All terminations must comply with listed options in this manual and be a single-wall vent offering.

For support and special connections required, see the manufacturer's instructions. All vent is to conform to standard diameter and equivalent length requirements established.

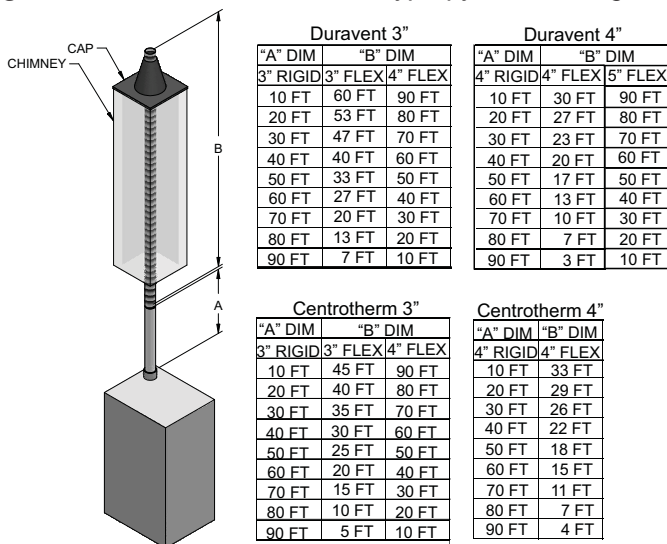
When determining equivalent combustion air and vent length for polypropylene single-wall piping:

- 1 foot of Duravent 4 inch single-wall pipe is equivalent to 1.6 feet of piping

## Flexible polypropylene

For use of flex pipe, it is recommended to have the vent material in 32°F or higher ambient space before bending at installation. No bends should be made to greater than 45° and ONLY installed in vertical or near vertical installations (FIG. 3-8).

**Figure 3-8 Near Boiler Flexible Polypropylene Venting**



- \*NOTES: 1) FLEX PIPE MAY ONLY BE RUN IN A VERTICAL ORIENTATION  
 2) ALL VENT LENGTHS REPRESENTED IN ABOVE CHARTS ARE EQUIVALENT LENGTHS.  
 3) SECTION A IS EQUIVALENT FEET OF RIGID PIPE, WHICH MAY INCLUDE 45 AND 90° ELBOWS. PLEASE SEE SIZING SECTION FOR DETERMINING EQUIVALENT FEET.

IMG00840

**Table 3E Polypropylene Vent Pipe and Fittings**

Approved Polypropylene Vent Manufacturers	
Make	Model
Centrotherm Eco Systems	InnoFlue SW/Flex
Duravent (M & G Group)	PolyPro Single-Wall / PolyPro Flex

**Table 3F Approved Polypropylene Terminations and Adapters**

Model	Centrotherm InnoFlue SW				Duravent Polypro		
	Polypropylene Adapter/ Flue Clamp	Joint Connector	Sidewall Retaining Bracket*	Sidewall Adapter*	Polypropylene Adapter	Joint Connector	Sidewall Kit
40 - 100	ISAG0202 w/IAFC02	IANS02	IATP0202	ISTAGL0202	2PPS-AD	2PPS-LB	2PPS-HLK
120	ISAG0303 w/IAFC03	IANS03	IATP0303	ISTAGL0303	3PPS-AD	3PPS-LB	3PPS-HLK

\* These parts are only needed if the alternate sidewall termination assembly is used.

**NOTICE**

The installer must use a specific vent starter adapter at the flue collar connection, supplied by the vent manufacturer to adapt to its vent system. See Table 3F for approved vent adapters. Discard CPVC starter piece.

**NOTICE**

All vent connections MUST be secured by the vent manufacturer's joint connector (FIG. 3-9).

**WARNING**

Insulation should not be used on polypropylene venting materials. The use of insulation will cause increased vent wall temperatures, which could result in vent pipe failure.

**WARNING**

Use only the adapters and vent system listed in Tables 3E and 3F. DO NOT mix vent systems of different types or manufacturers, unless listed in this manual. Failure to comply could result in severe personal injury, death, or substantial property damage.

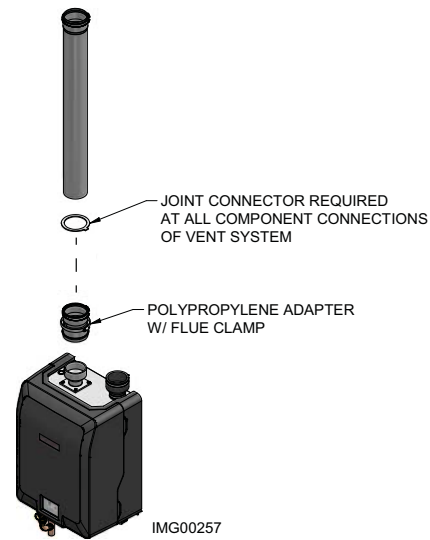
**NOTICE**

Installations must comply with applicable national, state, and local codes. For Canadian installation, polypropylene vent must be listed as a ULC-S636 approved system.

**NOTICE**

Installation of a polypropylene vent system should adhere to the vent manufacturer's installation instructions supplied with the vent system.

**Figure 3-9 Near Boiler Polypropylene Venting Model 120**



IMG00257

### 3 General venting *(continued)*

#### Stainless steel vent:

This product has been approved for use with stainless steel using the manufacturers listed in Table 3G.

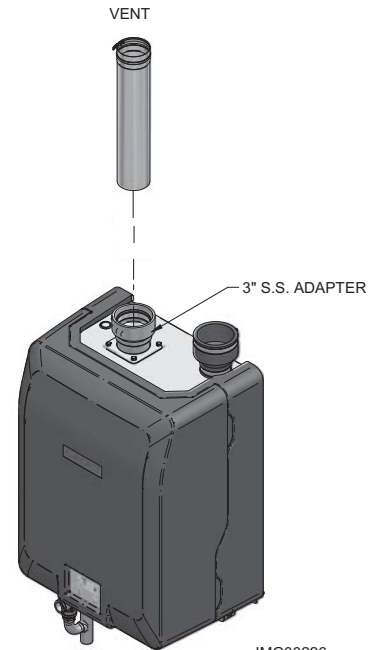
**WARNING** Use only the materials, vent systems, and terminations listed in Tables 3G and 3H. DO NOT mix vent systems of different types or manufacturers. Failure to comply could result in severe personal injury, death, or substantial property damage.

**NOTICE** The installer must use a specific vent starter adapter at the flue collar connection, supplied by the vent manufacturer to adapt to its vent system. See Table 3H for approved vent adapters. Discard CPVC starter piece.

**NOTICE** Installations must comply with applicable national, state, and local codes. Stainless steel vent systems must be listed as a UL-1738 approved system for the United States and a ULC-S636 approved system for Canada.

**NOTICE** Installation of a stainless steel vent system should adhere to the stainless steel vent manufacturer's installation instructions supplied with the vent system.

**Figure 3-10** Near Boiler Stainless Steel Venting



**Table 3G** Stainless Steel Vent Pipe and Fittings

Approved Stainless Steel Vent Manufacturers	
Make	Model
Dura Vent (M & G Group)	FasNSeal Vent / FasNSeal Flex* Vent
Z-Flex (Nova Flex Group)	Z-Vent
Heat Fab (Selkirk Corporation)	Saf-T Vent

\*Use of FasNSeal Flex smooth inner wall vent is to be used in vertical or near vertical sections only, taking precaution to ensure no sagging occurs of the vent system. Connect to the FasNSeal rigid vent using specially designed adapters and sealing method, see manufacturer's instructions.

**Table 3H** Approved Stainless Steel Terminations and Adapters

Model	ProTech			Heat Fab			Z Flex		
	FasNSeal			Saf-T Vent			Z-Vent		
	**Boiler Adapter	Flue Termination	Intake Air Termination	*Boiler Adapter	Flue Termination	Intake Air Termination	**Boiler Adapter	Flue Termination	Intake Air Termination
40 - 120	300716 (Vent) 300715 (Intake Air)	FSBS3 FSRC3(R.C)	303889	WB50210 (Vent) 9301PVC (Intake Air)	9392 5300CI	9314TERM	2SVSLPVC3 (Vent) 2SVSLA03 (Intake Air)	2SVSTP03 2SVSRCX03	2SVSTEX0390

\*The stainless steel venting option is only available in 3" vent diameters.

# 4 Sidewall direct venting

## Vent/air termination – sidewall

**⚠ WARNING** Follow instructions below when determining vent location to avoid possibility of severe personal injury, death, or substantial property damage.

**⚠ WARNING** A gas vent extending through an exterior wall shall not terminate adjacent to a wall or below building extensions such as eaves, parapets, balconies, or decks. Failure to comply could result in severe personal injury, death, or substantial property damage.

### Determine location

Locate the vent/air terminations using the following guidelines:

1. The total length of piping for vent or air must not exceed the limits given in the General Venting Section on page 16 of this manual.
2. You must consider the surroundings when terminating the vent and air:
  - a. Position the vent termination where vapors will not damage nearby shrubs, plants or air conditioning equipment or be objectionable.
  - b. The flue products will form a noticeable plume as they condense in cold air. Avoid areas where the plume could obstruct window views.
  - c. Prevailing winds could cause freezing of condensate and water/ice buildup where flue products impinge on building surfaces or plants.
  - d. Avoid possibility of accidental contact of flue products with people or pets.
  - e. Do not locate the terminations where wind eddies could affect performance or cause recirculation, such as inside building corners, near adjacent buildings or surfaces, window wells, stairwells, alcoves, courtyards, or other recessed areas.

### If using the sidewall termination:

3. The air piping must terminate in a down-turned elbow as shown in FIG. 4-1A. This arrangement avoids recirculation of flue products into the combustion air stream.
4. The vent piping must terminate in an elbow pointed outward or away from the air inlet, as shown in FIG. 4-1A.

**⚠ WARNING** Do not exceed the maximum lengths of the outside vent piping shown in FIG. 4-1A. Excessive length exposed to the outside could cause freezing of condensate in the vent pipe, resulting in potential boiler shutdown.

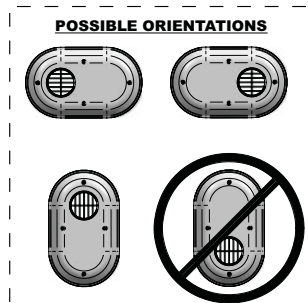
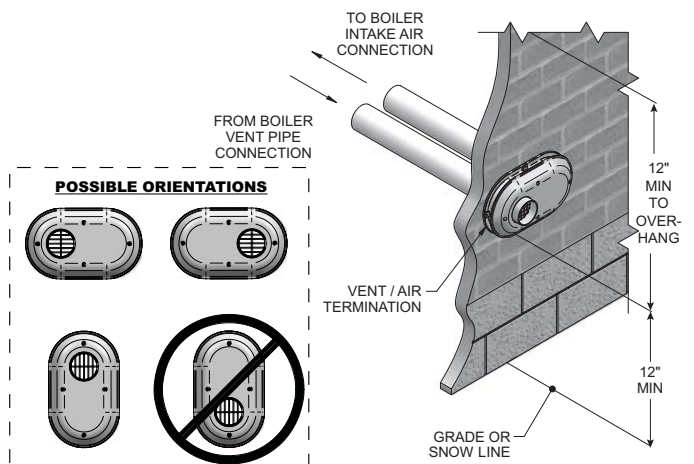
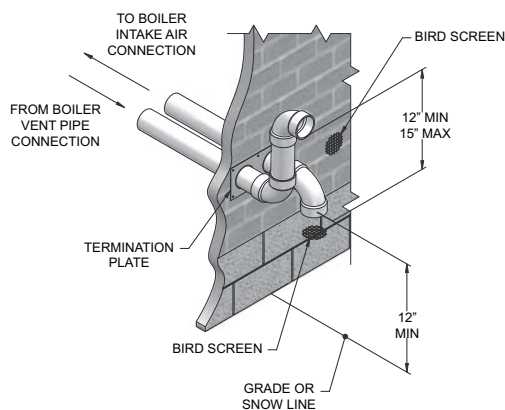
When venting out a sidewall using PVC, CPVC, or Polypropylene vent materials, an optional sidewall vent termination kit can be ordered (reference Table 4A for kit numbers).

**Table 4A** Alternate Sidewall Vent Kit

Model	Kit Number	Air Size	Vent Size	Centerline Width
40 - 100	KIT30044	2"	2"	5 5/8"
120	KIT30045	3"	3"	5 5/8"

**Figure 4-1B** Alternate PVC/CPVC/ Polypropylene Sidewall Termination of Air and Vent

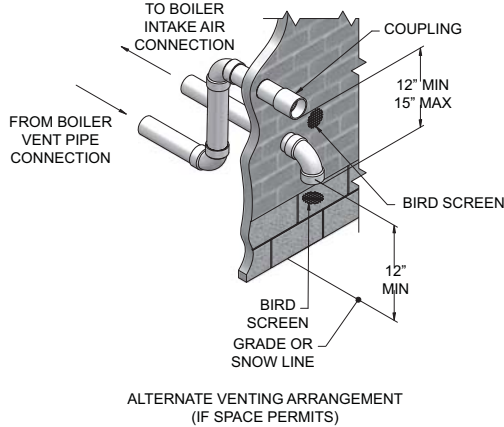
**Figure 4-1A** PVC/CPVC/Polypropylene Sidewall Termination of Air and Vent w/Field Supplied Fittings



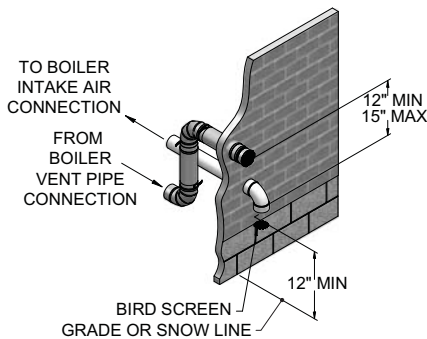
## 4 Sidewall direct venting *(continued)*

### Vent/air termination - sidewall

**Figure 4-1C** Alternate Venting Arrangement (if Space Allows) w/Field Supplied Fittings

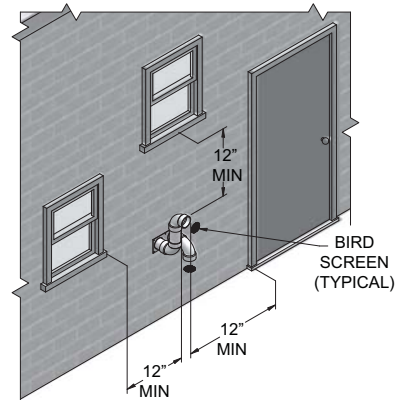


**Figure 4-1D** Alternate Venting Arrangement - Typical Stainless Steel Sidewall Termination of Air and Vent w/Field Supplied Fittings

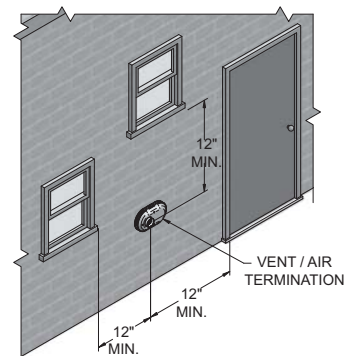


5. Maintain clearances as shown in FIG.'s 4-1A thru 4-3B, pages 22 and 23. Also maintain the following:
  - a. Vent must terminate:
    - At least 6 feet from adjacent walls.
    - No closer than 12 inches below roof overhang.
    - At least 7 feet above any public walkway.
    - At least 3 feet above any forced air intake within 10 feet.
    - No closer than 12 inches below or horizontally from any door or window or any other gravity air inlet.
  - b. Air inlet must terminate at least 12 inches above grade or snow line; at least 12 inches below the vent termination (FIG. 4-1B); and the vent pipe must not extend more than 24 inches vertically outside the building.
  - c. Do not terminate closer than 4 feet horizontally from any electric meter, gas meter, regulator, relief valve, or other equipment. Never terminate above or below any of these within 4 feet horizontally.
6. Locate terminations so they are not likely to be damaged by foreign objects, such as stones or balls, or subject to buildup of leaves or sediment.

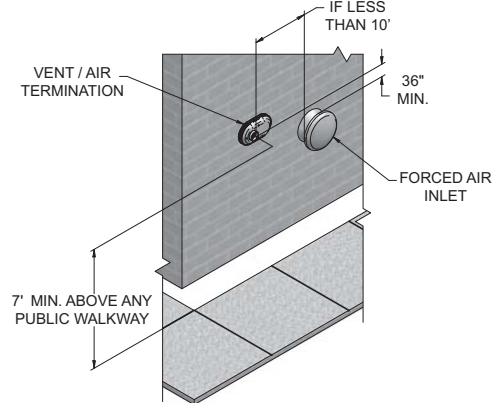
**Figure 4-2A** Clearance to Gravity Air Inlets w/Field Supplied Fittings



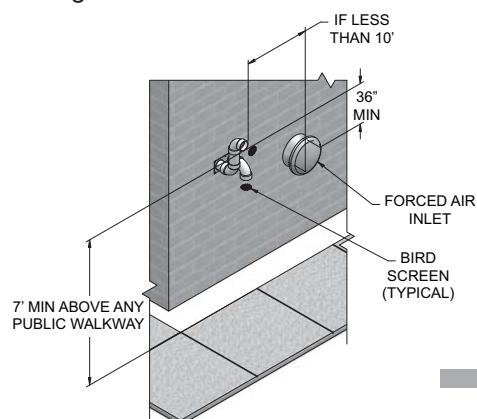
**Figure 4-2B** Clearance to Gravity Air Inlets using an Optional Vent Kit



**Figure 4-3A** Clearance to Forced Air Inlets using an Optional Vent Kit



**Figure 4-3B** Clearance to Forced Air Inlets w/Field Supplied Fittings

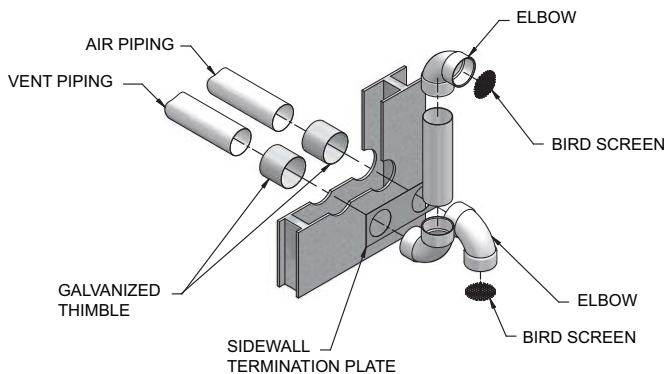


## 4 Sidewall direct venting

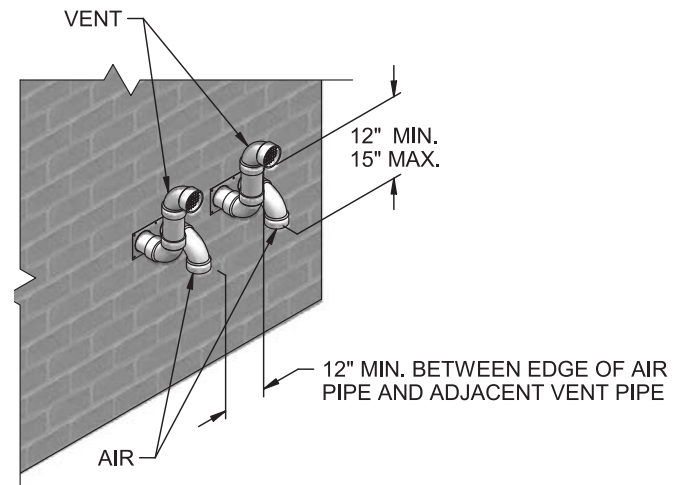
### Prepare wall penetrations

1. Air pipe penetration:
  - a. Cut a hole for the air pipe. Size the air pipe hole as close as desired to the air pipe outside diameter.
2. Vent pipe penetration:
  - a. Cut a hole for the vent pipe. For either combustible or noncombustible construction, size the vent pipe hole with at least a 1/2 inch clearance around the vent pipe outer diameter:
    - 3½ inch hole for 2 inch vent pipe
    - 4½ inch hole for 3 inch vent pipe
  - b. Insert a galvanized metal thimble in the vent pipe hole as shown in FIG. 4-4A.
3. Use the sidewall termination plate as a template for correct location of hole centers.
4. Follow all local codes for isolation of vent pipe when passing through floors or walls.
5. Seal exterior openings thoroughly with exterior caulk.

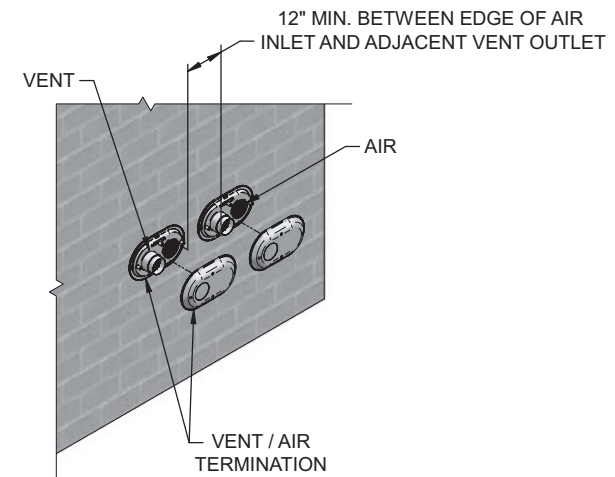
**Figure 4-4A** Sidewall Termination Assembly w/Field Supplied Fittings



**Figure 4-5A** Multiple Vent Terminations w/Field Supplied Fittings (must also comply with **Figure 4-1A**)



**Figure 4-5B** Alternate Multiple Vent Terminations (must also comply with **Figure 4-1B**)



### Multiple vent/air terminations

1. When terminating multiple boilers terminate each vent/air connection as described in this manual (FIG. 4-5A).

**⚠ WARNING**

All vent pipes and air inlets must terminate at the same height to avoid possibility of severe personal injury, death, or substantial property damage.

2. Place wall penetrations to obtain minimum clearance of 12 inches between edge of air inlet and adjacent vent outlet, as shown in FIG. 4-5A for U.S. installations. For Canadian installations, provide clearances required by CSA B149.1 Installation Code.
3. The air inlet of a Cadet heating boiler is part of a direct vent connection. It is not classified as a forced air intake with regard to spacing from adjacent boiler vents.

## 4 Sidewall direct venting *(continued)*

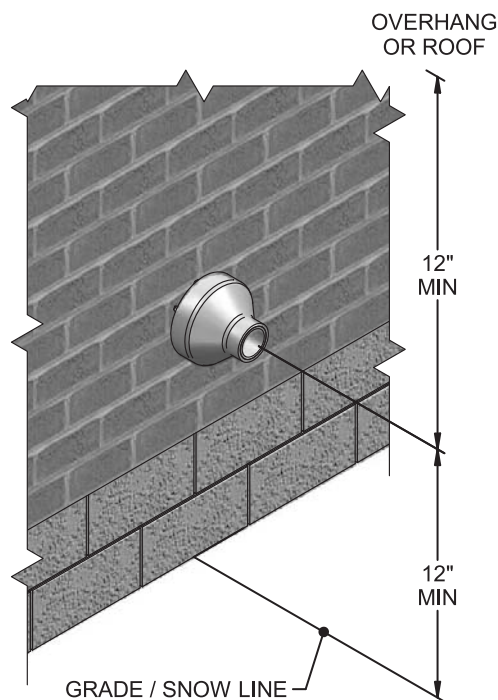
### Sidewall termination – optional concentric vent

#### Description and usage

The manufacturer offers optional concentric combustion air and vent pipe termination kits (Factory Kit #CVK3003 - 3" or #CVK3008 - 2"). Both combustion air and vent pipes must attach to the termination kit. The termination kit must terminate outside the structure and must be installed as shown below in FIG. 4-6.

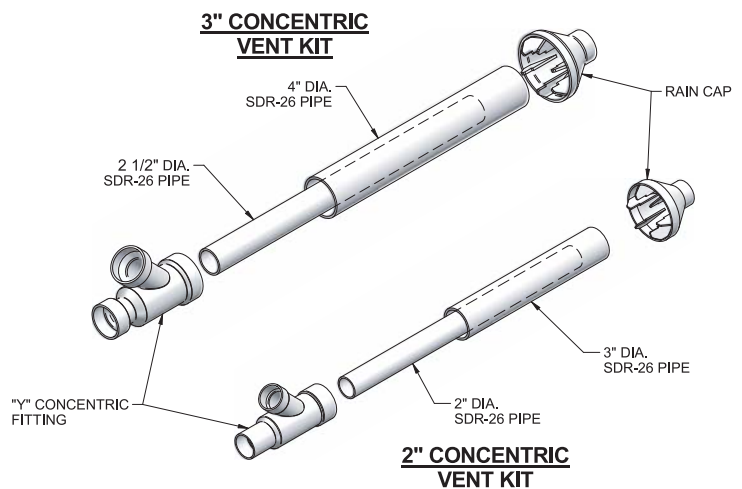
The required combustion vent pipe and fittings are listed in Table 3B, on page 16 of this manual.

**Figure 4-6 Concentric Sidewall Termination**



3. Cut one (1) hole (5 inch diameter for #CVK3003 installations or 4 inch diameter for #CVK3008 installations) into the structure to install the termination kit.
4. Partially assemble the concentric vent termination kit. Clean and cement using the procedures found in these instructions.
  - a. Cement the Y concentric fitting to the larger kit pipe (FIG. 4-7).
  - b. Cement the rain cap to the smaller diameter kit pipe (FIG. 4-7).

**Figure 4-7 Kit Contents**



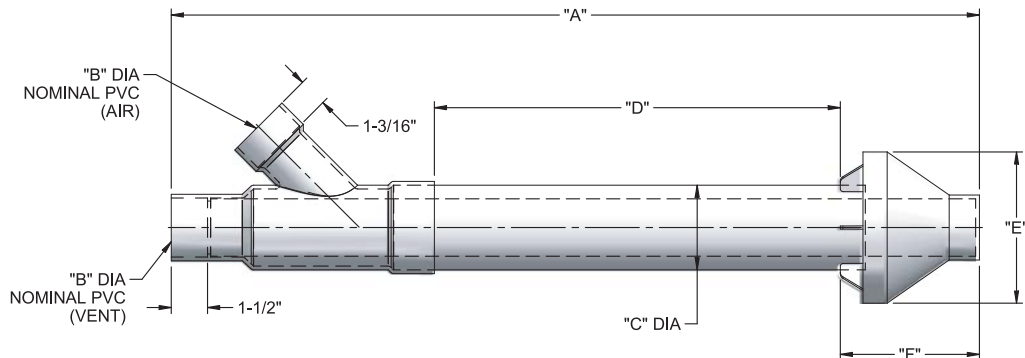
#### Sidewall termination installation

1. Determine the best location for the termination kit (see FIG. 4-6).
2. Reference the *Determine Location Section* on page 22 of this manual for general termination considerations.

# 4 Sidewall direct venting

## Sidewall termination – optional concentric vent models

Figure 4-8 Concentric Vent Dimensional Drawing



	"A"	"B"	"C"	"D"	"E"	"F"
2" VENT KIT	33-3/8"	2"	3-1/2"	16-5/8"	6-1/4"	5-3/4"
3" VENT KIT	38-7/8"	3"	4-1/2"	21-1/8"	7-3/8"	6-1/2"

**NOTICE** Instead of cementing the smaller pipe to the rain cap, a field-supplied stainless steel screw may be used to secure the two (2) components together when field disassembly is desired for cleaning (see FIG. 4-9).

**WARNING** When using the alternate screw assembly method, drill a clearance hole in the rain cap and a pilot hole in the vent pipe for the screw size being used. Failure to drill adequate holes may cause cracking of PVC components, allowing combustion products to be recirculated. Failure to follow this warning could result in personal injury or death.

**WARNING** Do not operate the appliance with the rain cap removed or recirculation of combustion products may occur. Water may also collect inside the larger combustion air pipe and flow to the burner enclosure. Failure to follow this warning could result in product damage or improper operation, personal injury, or death.

5. Install the Y concentric fitting and pipe assembly through the structure's hole.

**NOTICE** Do not allow insulation or other materials to accumulate inside the pipe assembly when installing through the hole.

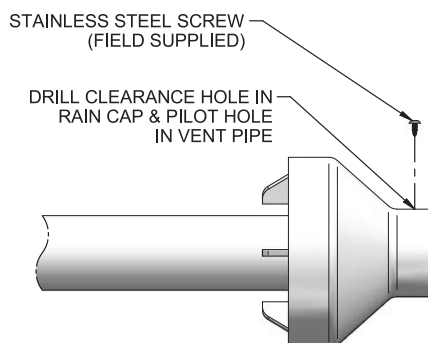
6. Install the rain cap and small diameter pipe assembly into the Y concentric fitting and large pipe assembly. Ensure small diameter pipe is bottomed and cemented in the Y concentric fitting.

7. Secure the assembly to the structure as shown in FIG. 4-10 using field-supplied metal strapping or equivalent support material.

**NOTICE** Ensure termination location clearance dimensions are as shown in FIG. 4-6.

**NOTICE** If assembly needs to be extended to allow sidewall thickness requirement, the two (2) pipes supplied in the kit may be replaced by using the same diameter, field-supplied SDR-26 PVC (D2241) pipe. Do not extend dimension D more than 60 inches (see FIG. 4-8).

Figure 4-9 Rain Cap to Vent Pipe Alternate Assembly

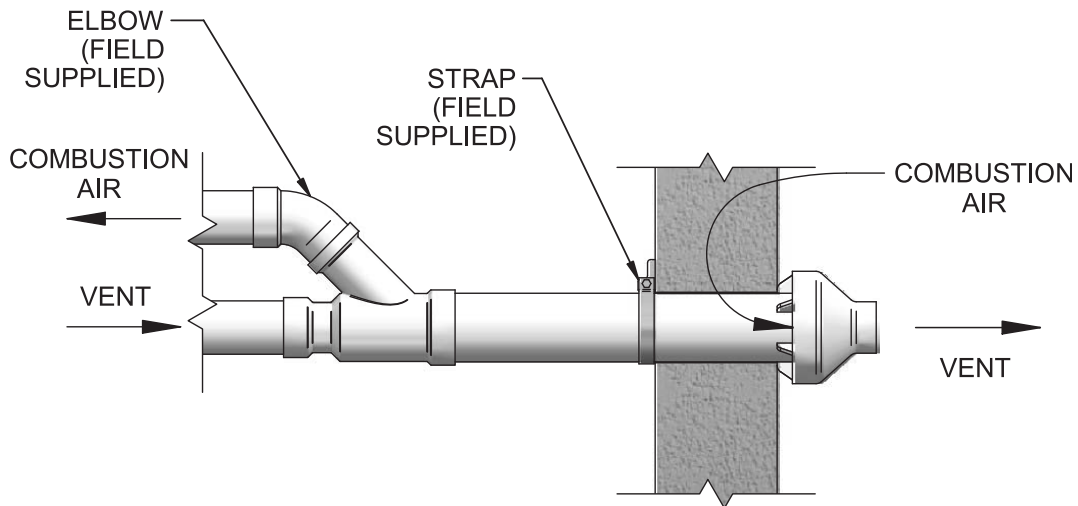


**NOTICE** If assembly needs to be reduced, dimension D can be as short as possible.

## 4 Sidewall direct venting *(continued)*

### Sidewall termination - optional concentric vent

**Figure 4-10** Concentric Vent Sidewall Attachment



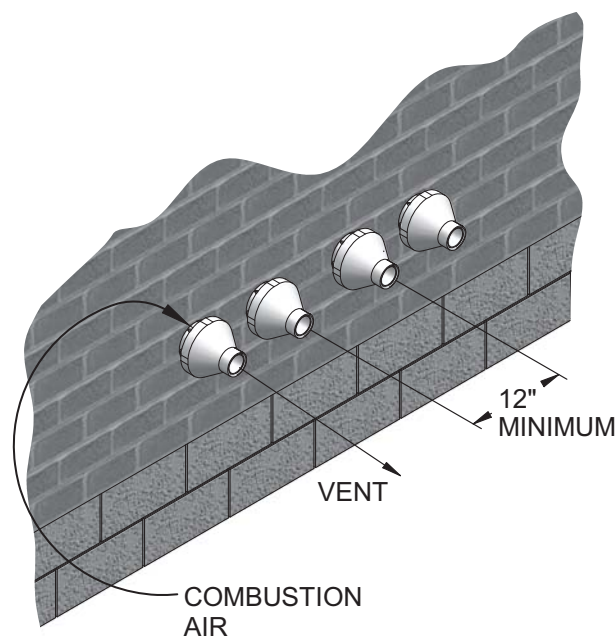
**CAUTION**

DO NOT use field-supplied couplings to extend pipes. Airflow restriction will occur and may cause intermittent operation.

**Multiventing sidewall terminations**

When two (2) or more direct vent appliances are vented near each other, each appliance must be individually vented (see FIG. 4-11). NEVER common vent or breach vent this appliance. When two (2) or more direct vent appliances are vented near each other, two (2) vent terminations may be installed as shown in FIG. 4-11. It is important that vent terminations be made as shown to avoid recirculation of flue gases.

8. Cement appliance combustion air and vent pipes to the concentric vent termination assembly. See FIG. 4-10 for proper pipe attachment.
9. Operate the appliance one (1) heat cycle to ensure combustion air and vent pipes are properly connected to the concentric vent termination connections.



**Figure 4-11** Concentric Vent and Combustion Air Termination

# 5 Vertical direct venting

## Vent/air termination – vertical

**⚠ WARNING** Follow instructions below when determining vent location to avoid possibility of severe personal injury, death or substantial property damage.

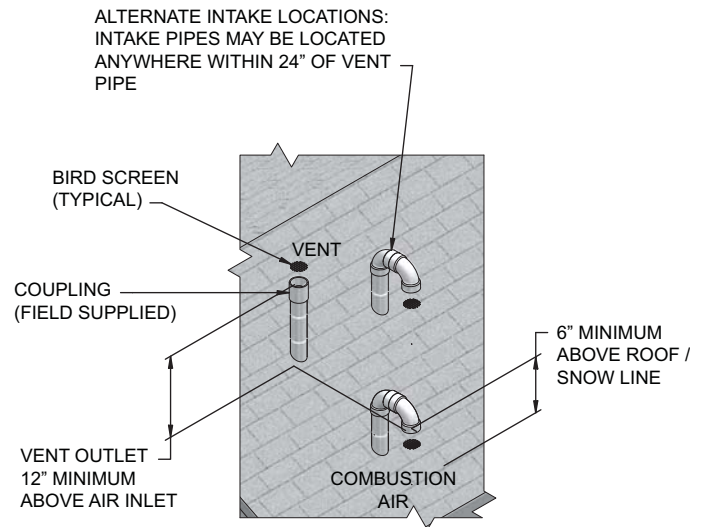
### Determine location

Locate the vent/air terminations using the following guidelines:

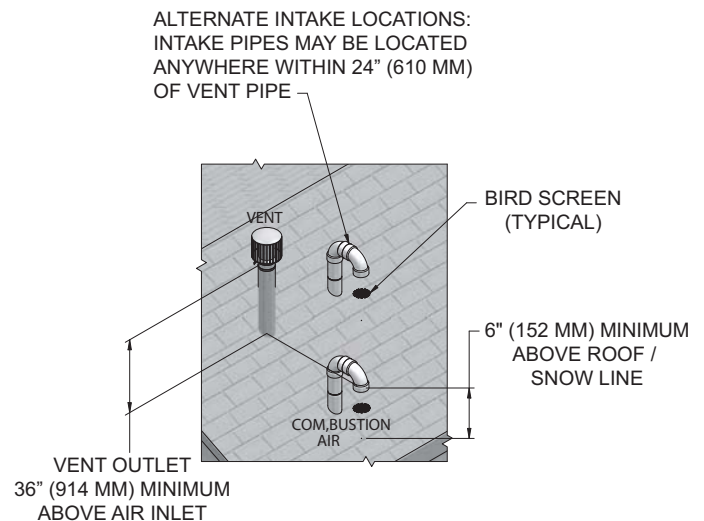
1. The total length of piping for vent or air must not exceed the limits given in the General Venting Section on page 16 of this manual.
2. Prepare the vent termination and the air termination elbow (FIG. 5-1A) by inserting bird screens. Bird screens should be obtained locally.
3. The vent must terminate at least 3 feet above the highest place in which the vent penetrates the roof and at least 2 feet above any part of a building within 10 horizontal feet.
4. The air piping must terminate in a down-turned 180° return pipe no further than 2 feet from the center of the vent pipe. This placement avoids recirculation of flue products into the combustion air stream.
5. The vent piping must terminate in an up-turned coupling as shown in FIG. 5-1A. The top of the coupling must be at least 1 foot above the air intake. When the vent termination uses a rain cap as illustrated in FIG. 5-1B maintain at least 36" (914 mm) above the air inlet. The air inlet pipe and vent pipe can be located in any desired position on the roof, but must always be no further than 2 feet (.6 m) apart and with the vent termination at least 1 foot for PVC and 3 feet for stainless steel, above the air intake.
6. Maintain the required dimensions of the finished termination piping as shown in FIG. 5-1A.
7. Do not extend exposed vent pipe outside of building more than shown in this document. Condensate could freeze and block vent pipe.

**⚠ WARNING** Rooftop vent and air inlet terminations must terminate in the same pressure zone, unless vertical vent sidewall air is set up, reference this section, page 29 and Section 4 - Air Intake Clearances.

**Figure 5-1A** PVC/CPVC/Polypropylene Vertical Termination of Air and Vent



**Figure 5-1B** Stainless Steel Vertical Termination of Air and Vent



8. Locate terminations so they are not likely to be damaged by foreign objects, such as stones or balls, or subject to buildup of leaves or sediment.

## 5 Vertical direct venting *(continued)*

### Vent/air termination – vertical

#### Prepare roof penetrations

1. Air pipe penetration:
  - a. Cut a hole for the air pipe. Size the air pipe hole as close as desired to the air pipe outside diameter.
2. Vent pipe penetration:
  - a. Cut a hole for the vent pipe. For either combustible or noncombustible construction, size the vent pipe hole with at least a 1/2 inch clearance around the vent pipe outer diameter:
    - 4½ inch hole for 3 inch vent pipe
    - 5½ inch hole for 4 inch vent pipe
  - b. Insert a galvanized metal thimble in the vent pipe hole.
3. Space the air and vent holes to provide the minimum spacing shown in FIG. 5-1A, page 28.
4. Follow all local codes for isolation of vent pipe when passing through floors, ceilings, and roofs.
5. Provide flashing and sealing boots sized for the vent pipe and air pipe.

#### Multiple vent/air terminations

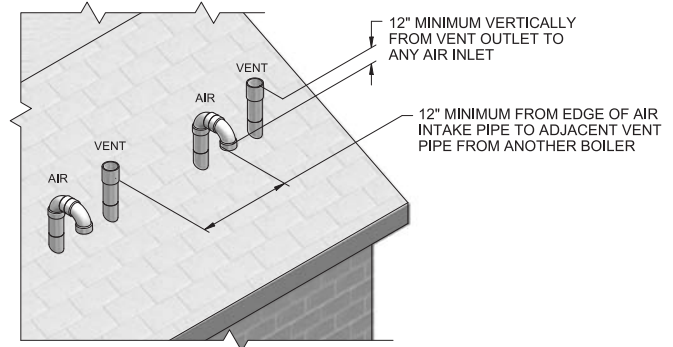
1. When terminating multiple boilers, terminate each vent/air connection as described in this manual (FIG. 5-2).

**⚠ WARNING**

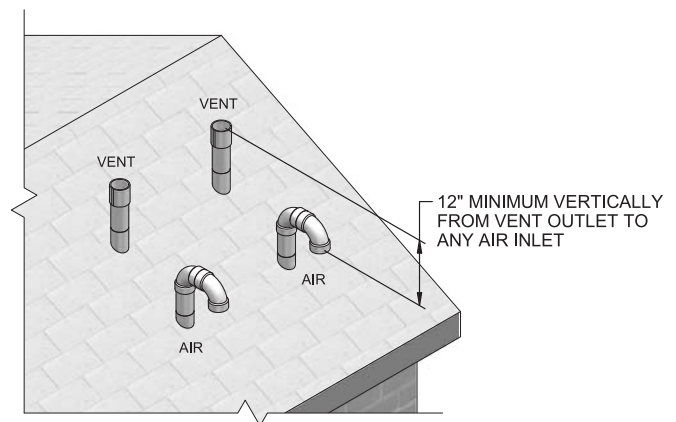
Terminate all vent pipes at the same height and all air pipes at the same height to avoid possibility of severe personal injury, death, or substantial property damage.

2. Place roof penetrations to obtain minimum clearance of 12 inches between edge of air intake elbow and adjacent vent pipe of another boiler for U.S. installations (see FIG. 5-2). For Canadian installations, provide clearances required by CSA B149.1 Installation Code.
3. The air inlet of a Cadet heating boiler is part of a direct vent connection. It is not classified as a forced air intake with regard to spacing from adjacent boiler vents.

**Figure 5-2 Vertical Terminations with Multiple Boilers**



**Figure 5-3 Alternate Vertical Terminations with Multiple Boilers**



# 5 Vertical direct venting

## Vertical termination – optional concentric vent

### Description and usage

The manufacturer offers an optional concentric combustion air and vent pipe termination kit. Both combustion air and vent pipes must attach to the termination kit. The termination kit must terminate outside the structure and must be installed as shown in FIG. 5-4.

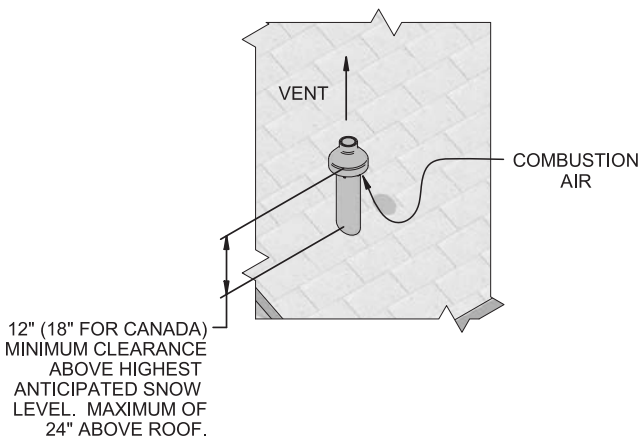
Field supplied pipe and fittings are required to complete the installation.

The required combustion air and vent pipe fittings are listed in Table 3B, on page 16 of this manual.

### Vertical termination installation

1. See Section 5, Vertical Direct Venting - Determine Location (where applicable).

**Figure 5-4 Concentric Vertical Termination**



**Figure 5-5 Do Not Install U-Bend to Rain Cap**



2. Cut one (1) hole (5 inch diameter for #CVK3003 installations or 4 inch diameter for #CVK3008 installations) into the structure to install the termination kit.
3. Partially assemble the concentric vent termination kit. Clean and cement following the cleaning procedures in these instructions.
  - a. Cement the Y concentric fitting to the larger diameter kit pipe (see FIG. 4-7, page 25).
  - b. Cement rain cap to the smaller diameter kit pipe (see FIG. 4-7, page 25).

**NOTICE** Instead of cementing the smaller pipe to the rain cap, a field supplied stainless steel screw may be used to secure the two (2) components together when field disassembly is desired for cleaning (see FIG. 4-9, page 26).

**WARNING** When using the alternate screw assembly method, drill a clearance hole in the rain cap and a pilot hole in the vent pipe for the screw size being used. Failure to drill adequate holes may cause cracking of PVC components, allowing combustion products to be recirculated. Failure to follow this warning could result in personal injury or death.

## 5 Vertical direct venting *(continued)*

### Vertical termination – optional concentric vent

**WARNING**

Do not operate the appliance with the rain cap removed or recirculation of combustion products may occur. Water may also collect inside the larger combustion air pipe and flow to the burner enclosure. Failure to follow this warning could result in product damage or improper operation, personal injury, or death.

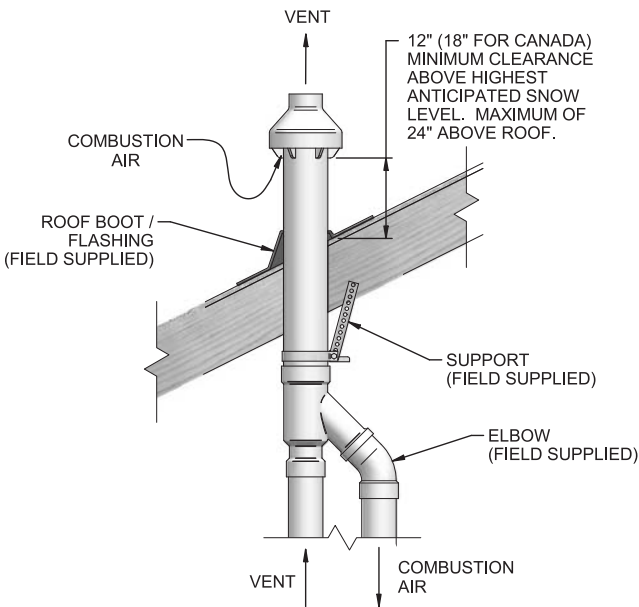
4. Install the Y concentric fitting pipe assembly through the structure's hole and field supplied roof boot/flashing.

**NOTICE**

Do not allow insulation or other materials to accumulate inside the pipe assembly when installing through the hole.

5. Secure the assembly to the roof structure as shown below in FIG. 5-6 using field supplied metal strapping or equivalent support material.

**Figure 5-6 Concentric Vent Roof Installation**



**NOTICE**

Ensure termination height is above the roof surface or anticipated snow level (12 inches in U.S.A. or 18 inches in Canada) as shown in FIG. 5-4, page 30.

**NOTICE**

If assembly is too short to meet height requirement, the two (2) pipes supplied in the kit may be replaced by using the same diameter, field supplied SDR-26 PVC (D2241) pipe. Do not extend dimension D more than 60 inches (see FIG. 4-8, page 26).

**CAUTION**

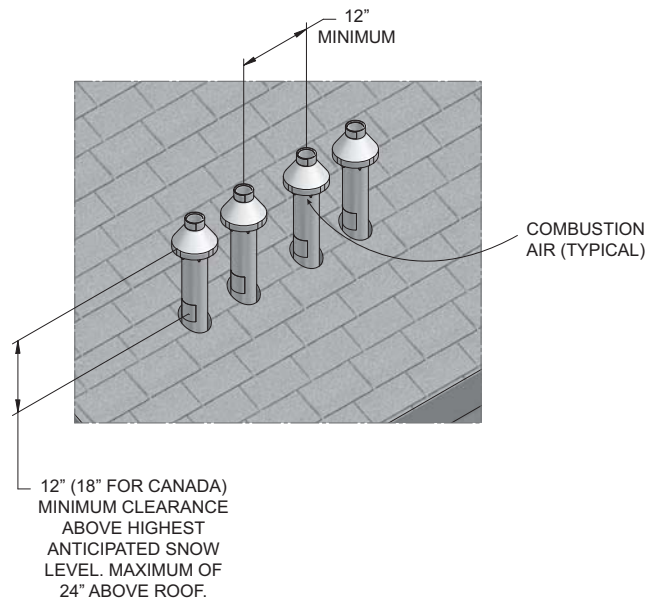
DO NOT use field-supplied couplings to extend pipes. Airflow restriction will occur.

6. Install the rain cap and the small diameter pipe assembly into the roof penetration assembly. Ensure the small diameter pipe is cemented and bottomed in the Y concentric fitting.
7. Cement the appliance combustion air and vent pipes to the concentric vent termination assembly. See FIG. 5-6 for proper pipe attachment.
8. Operate the appliance through one (1) heat cycle to ensure combustion air and vent pipes are properly connected to the concentric vent termination connections.

### Multiventing vertical terminations

When two (2) or more direct vent appliances are vented near each other, each appliance must be individually vented (see FIG. 5-7). NEVER common vent or breach vent this appliance. When two (2) or more direct vent appliances are vented near each other, two (2) vent terminations may be installed as shown in FIG. 5-7. It is important that vent terminations be made as shown to avoid recirculation of flue gases.

**Figure 5-7 Concentric Vent and Combustion Air Vertical Termination**



# 5 Vertical direct venting

## Alternate vertical concentric venting

This appliance may be installed with a concentric vent arrangement where the vent pipe is routed through an existing unused venting system; or by using the existing unused venting system as a chase for vent and combustion air routing.

### Concentric Venting Arrangement

The venting is to be vertical through the roof. The annular space between the O.D. of the vent pipe and the I.D. of the existing unused venting system is utilized for the combustion air source.

The minimum size of the existing vent system required to achieve enough annular space for combustion air can be found in Table 5A below.

The upper and lower termination as well as any other unsealed joints in the existing vent system **must be** sealed to ensure that all combustion air is drawn from under the vent cap as shown in FIG.'s 5-8 and 5-9.

Approved venting materials must be used as specified in Table 3D on page 19.

Follow all vent / air termination and clearance requirements per this section to the appropriate example. Installation must comply with local requirements and with the National Fuel Gas Code.

The maximum allowable equivalent vent and air intake lengths for this venting arrangement are to be determined from the General Venting Section.

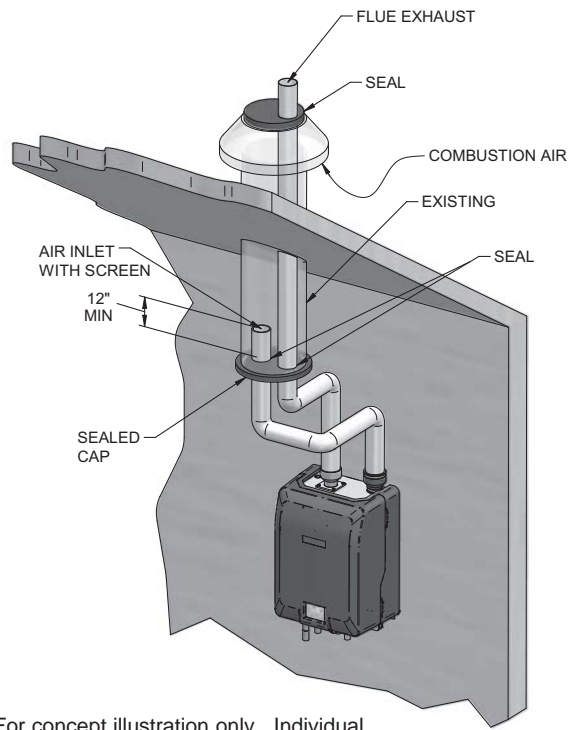
If an existing unused venting system is converted for use with this method of concentric venting, the installer must ensure that the existing venting system is clean and free from particulate contamination that will harm this appliance and cause increased nuisance calls or maintenance. See Table 1A on page 10 for a list of corrosive contaminants and sources.

Two example scenarios of a concentric venting arrangement are shown for illustrative purposes in FIG.'s 5-8 and 5-9.

**Table 5A** Alternate Vertical Concentric Vent / Chase Sizes

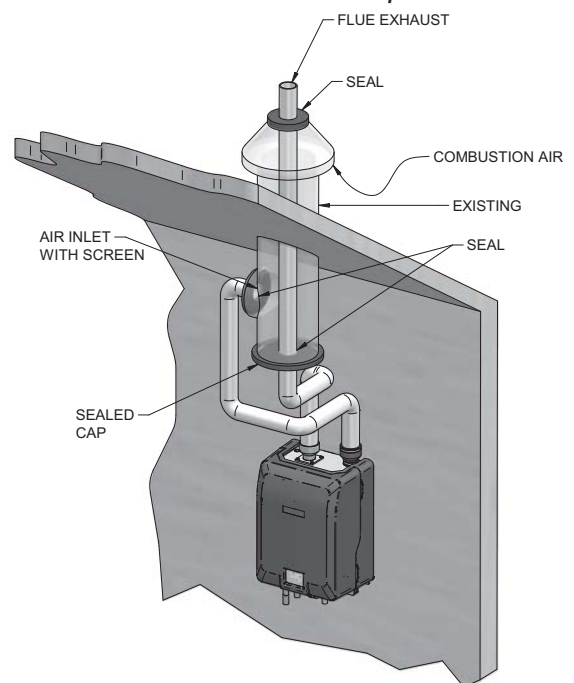
Model	Vent / Air Inlet Size	Minimum Existing Vent / Chase Size
40 - 100	2"	4"
120	3"	5"

**Figure 5-8** Concentric Vent Example 1



\*For concept illustration only. Individual installations may vary due to job site specific equipment. IMG00227

**Figure 5-9** Concentric Vent Example 2



IMG00235

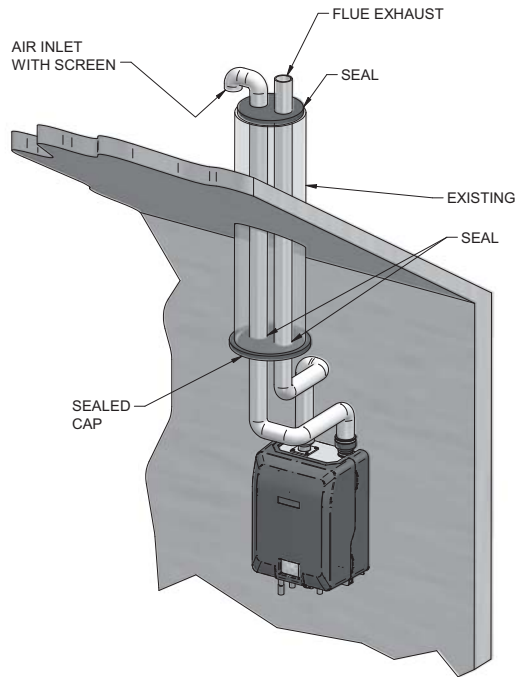
\*For concept illustration only. Individual installations may vary due to job site specific equipment.

## 5 Vertical direct venting *(continued)*

### Existing vent as a chase

Follow all existing termination and clearance requirements and allowable pipe lengths. Use only approved venting materials listed in the General Venting Section of this manual.

**Figure 5-10** Existing Vent as a Chase



\*For concept illustration only. Individual installations may vary due to job site specific equipment.

## 6 Hydronic piping

### System water piping methods

The Cadet heating boiler is designed to function in a closed loop pressurized system not less than 12 psi. A temperature and pressure gauge is included to monitor system pressure and outlet temperature and should be located on the boiler outlet.

It is important to note that the boiler has a minimal amount of pressure drop and must be figured in when sizing the circulators. Each boiler installation must have an air elimination device, which will remove air from the system. Install the boiler so the gas ignition system components are protected from water (dripping, spraying, etc.) during appliance operation for basic service of circulator replacement, valves, and others.

Observe a minimum of a 1/4 inch clearance around all un-insulated hot water pipes when openings around the pipes are not protected by non-combustible materials.

### Low water cutoff device

On a boiler installed above radiation level, some states and local codes require a low water cutoff device at the time of installation.

### Chilled water system

If the boiler supplies hot water to heating coils in air handler units, flow control valves or other devices must be installed to prevent gravity circulation of heater water in the coils during the cooling cycle. A chilled water medium must be piped in parallel with the heater.

### Freeze protection

Freeze protection for new or existing systems must use glycol that is specially formulated for this purpose. This includes inhibitors, which prevent the glycol from attacking the metallic system components. Make certain to check that the system fluid is correct for the glycol concentration and inhibitor level. The system should be tested at least once a year and as recommended by the producer of the glycol solution. Allowance should be made for the expansion of the glycol solution in the system piping.

#### **⚠ WARNING**

Use only inhibited propylene glycol solutions, which are specifically formulated for hydronic systems. Ethylene glycol is toxic and can attack gaskets and seals used in hydronic systems.

### General piping information

Basic steps are listed below along with illustrations on the following pages (FIG.'s 6-4 through 6-6), which will guide you through the installation of the Cadet heating boiler (reference FIG.'s 6-2A and 6-2B).

1. Connect the system return marked "Inlet".
2. Connect the system supply marked "Outlet".
3. Install purge and balance valve or shutoff valve and drain on system return to purge air out of each zone.
4. Install a backflow preventer on the cold feed make-up water line.
5. Install a pressure reducing valve on the cold feed make-up water line, (15 psi nominal). Check temperature and pressure gauge (shipped separately), which should read a minimum pressure of 12 psi.
6. Install a circulator as shown on the piping diagrams in this section. Make sure the circulator is properly sized for the system and friction loss.
7. Install an expansion tank on the system supply. Consult the tank manufacturer's instruction for specific information relating to tank installation. Size the expansion tank for the required system volume and capacity.
8. Install an air elimination device on the system supply.
9. Install a drain valve at the lowest point of the system. **Note:** The boiler cannot be drained completely of water without purging the unit with an air pressure of 15 psi.
10. This appliance is supplied with a relief valve sized in accordance with ASME Boiler and Pressure Vessel Code, Section IV ("Heating Boilers"). Pipe the discharge of the safety relief valve to prevent injury in the event of pressure relief. Pipe the discharge to a drain. Provide piping that is the same size as the safety relief valve outlet. Never block the outlet of the safety relief valve.

See the \*piping illustrations included in this section, FIG.'s 6-4 through 6-6 for suggested guidelines in piping the Cadet heating boiler with either zone valves or circulator pumps.

#### **NOTICE**

\*Please note that these illustrations are meant to show system piping concept only, the installer is responsible for all equipment and detailing required by local codes.

## 6 Hydronic piping *(continued)*

### Near boiler piping components

#### 1. Boiler system piping:

Boiler system piping **MUST** be sized per the pipe requirements listed in Table 6A. Reducing the pipe size can restrict the flow rate through the boiler, causing inadvertent high limit shutdowns and poor system performance. Flow rates are based on 20 feet of piping, 4 - 90° elbows, and 2 - fully ported ball valves.

#### 2. Boiler circulating pump:

Field supplied. Must be sized to meet the minimum requirements listed in Table 6A on page 38.

#### 3. Domestic hot water circulating pump:

Field supplied. The pump **MUST** be sized to meet the specified minimum flow requirements listed in Table 6A. Consult the indirect water heater operating guide to determine flow characteristics for the selected product used.

#### 4. Boiler isolation valves:

Field supplied. Full port ball valves are required. Failure to use full port ball valves could result in a restricted flow rate through the boiler.

#### 5. Check valves:

Field supplied. Check valves are recommended for installation as shown in FIG.'s 6-4 through 6-6. Failure to install check valves could result in a reverse flow condition during pump(s) off cycle.

#### 6. Domestic indirect hot water isolation valves:

Field supplied. Full port ball valves are required. Failure to use full port ball valves could result in a restricted flow rate through the boiler.

#### 7. Anti-scald mixing valve:

Field supplied. For use when utilizing the DHW option. An anti-scald mixing valve is recommended when storing domestic hot water above 115°F.

#### 8. Unions:

Field supplied. Recommended for unit serviceability.

#### 9. Temperature and pressure gauge:

Factory supplied. The temperature and pressure gauge is shipped loose. It is the responsibility of the contractor to install the temperature and pressure gauge on the boiler water outlet.

#### 10. Pressure relief valve:

Factory supplied. The pressure relief valve is sized to ASME specifications.

#### 11. Boiler purge valve:

Field supplied. The boiler purge valve is used to remove entrapped air from the heat exchanger during start-up.

#### 12. System temperature sensor (optional):

The manufacturer offers a system temperature sensor (KIT3078). The sensor is to be installed in the heating loop downstream from the boiler hot water piping and heating loop junction. Typically the sensor will be located far enough downstream to sense system diluted water temperature.

#### 13. Indirect water heaters:

The Cadet heating boiler may be piped to an indirect water heater to heat domestic hot water with the space heat transfer medium. As depicted in the piping diagrams on page 39 thru 41, the space heating piping will branch off to flow the space heat transfer medium through a heat exchanger coil inside the indirect water heater.

The Cadet heating boiler is pre-configured to control the operation of the DHW pump with Domestic Hot Water Prioritization programming. The DHW Programming is designed to control and balance the space heating demand by switching between DHW and space heating.

The manufacturer offers a series of indirect water heaters called the Squire. The Squire features a stainless steel vessel with a single wall stainless steel heat exchanger.

#### **WARNING**

The National Standard Plumbing Code, the National Plumbing Code of Canada and the Uniform Plumbing Code limit the pressure of the heat transfer fluid to less than the minimum working pressure of the potable water system up to 30 psi maximum. Also, the heat transfer fluid must be water or other non-toxic fluid having a toxicity of Class 1, as listed in Clinical Toxicology of Commercial Products, 5<sup>th</sup> Edition.

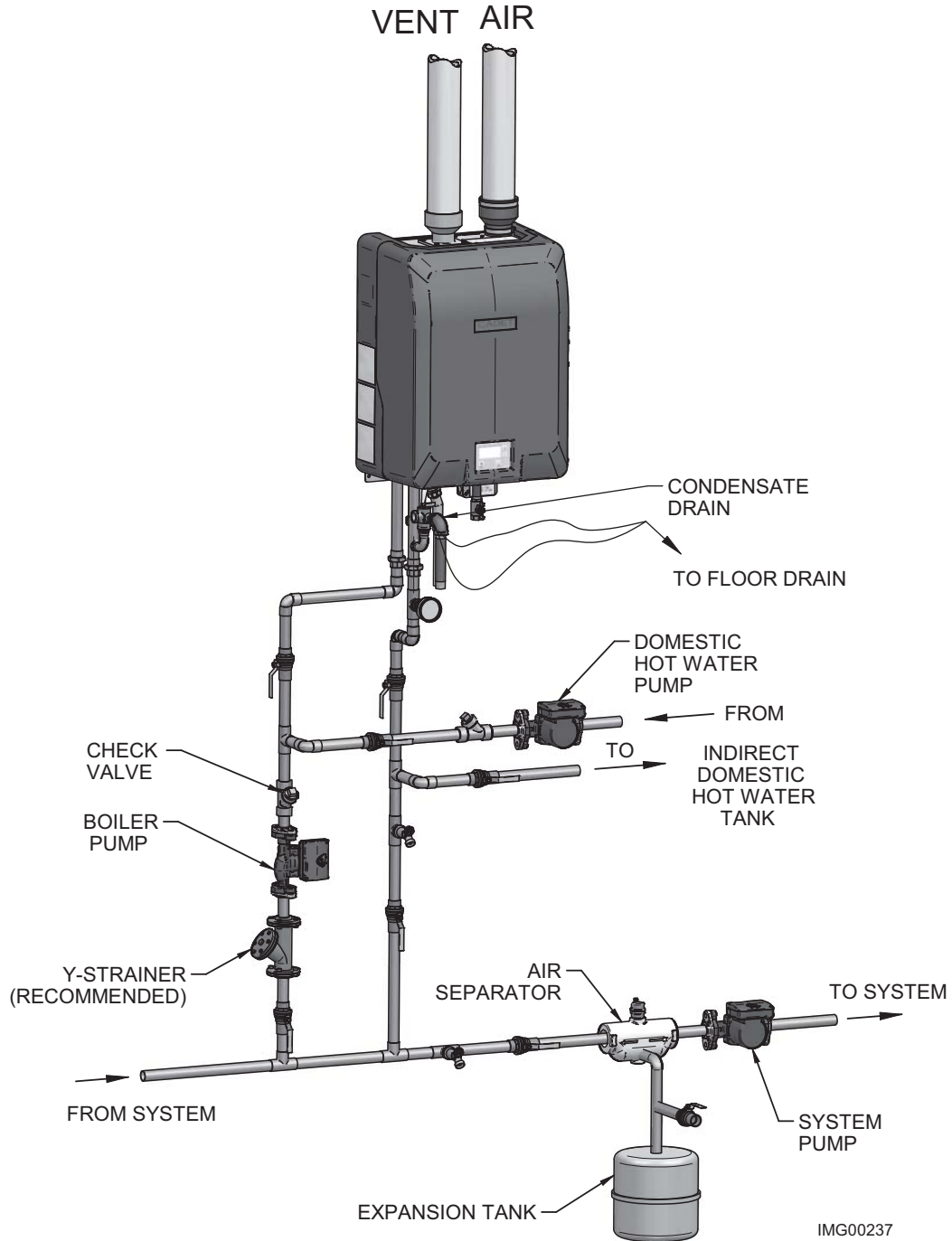
#### 14. Y-Strainer:

Field supplied. A Y-strainer or equivalent multipurpose strainer is recommended at the inlet of the heat exchanger to remove system particles from older hydronic systems and protect newer systems.

# 6 Hydronic piping

## Near boiler piping connections

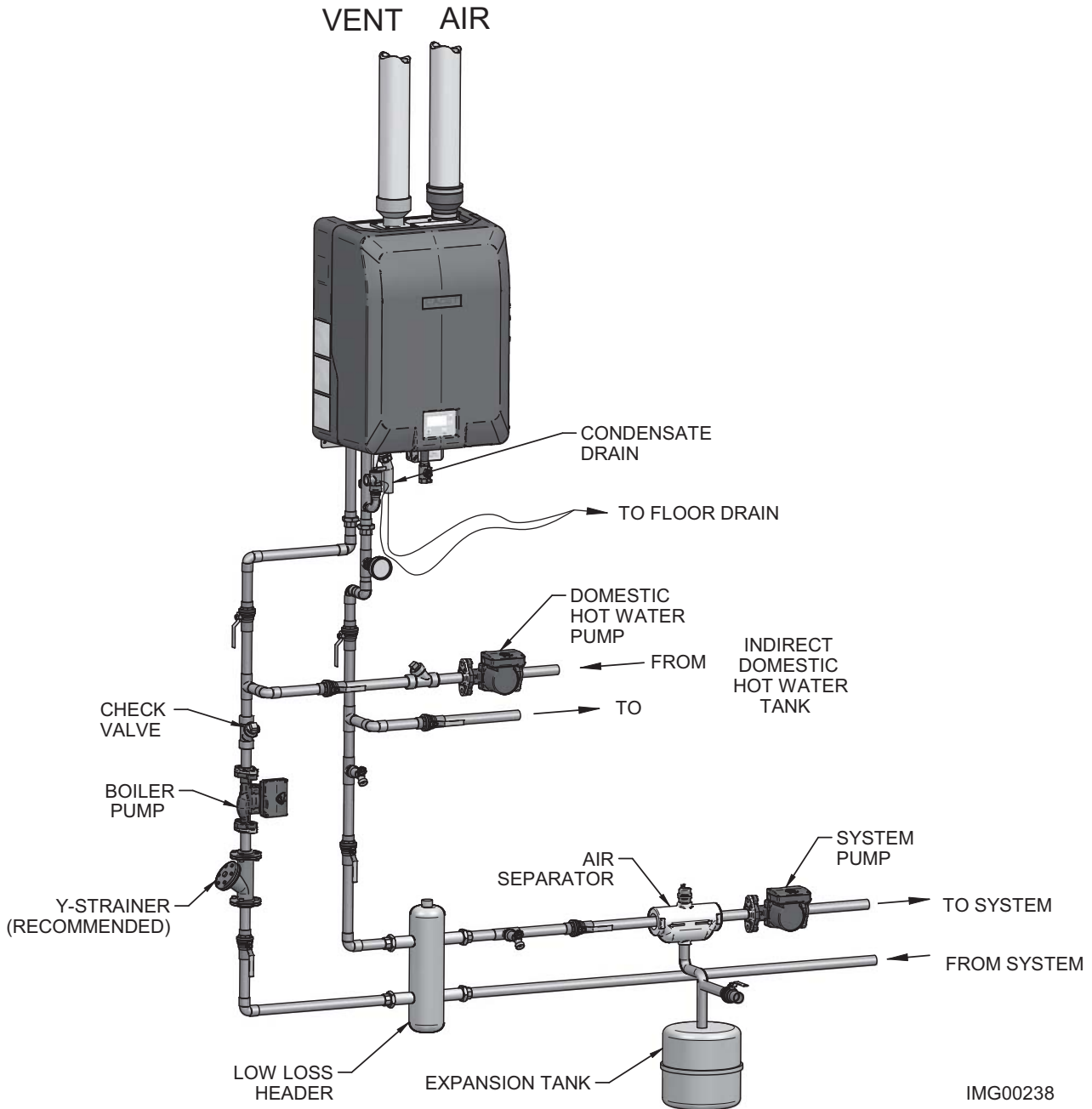
Figure 6-2A Near Boiler Piping w/Y-Strainer



## 6 Hydronic piping *(continued)*

### Near boiler piping connections (cont'd)

**Figure 6-2B** Near Boiler Piping w/Low Loss Header



IMG00238

### Circulator sizing

The Cadet heating boiler heat exchanger does have a pressure drop, which must be considered in your system design. Refer to the graph in FIG. 6-3 for pressure drop through the Cadet heating boiler heat exchanger.

# 6 Hydronic piping

Figure 6-3 Pressure Drop vs. Flow

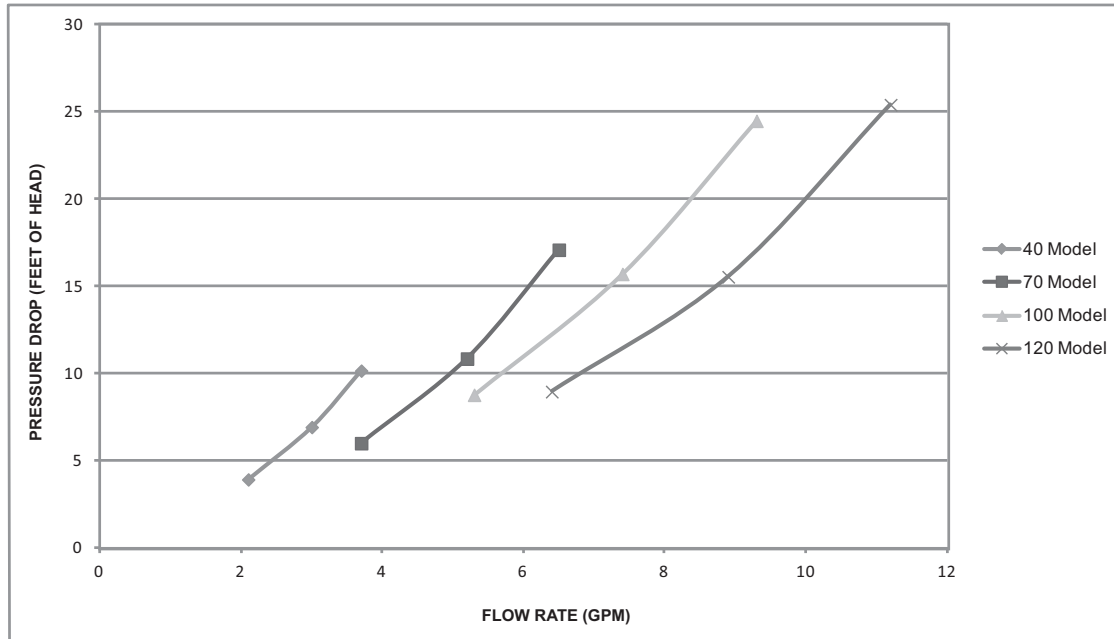


Table 6A Circulator Recommendations for Temperature Rise Applications\_20°, 25°, and 35°

20°F Temperature Rise Applications							
Model	GPM	FT/HD	Minimum Pipe Size	Pump			
				Grundfos	TACO	B & G	Armstrong
40	3.7	10.2	3/4"	UPS15-58FC	008-IFC	NRF-36	E7
70	6.5	17.1	1"	UPS26-99FC	0014-IFC	NRF-36	E7
100	9.3	24.5	1"	UPS26-99FC	0013-IFC	NRF-36	E11
120/120(C)	11.2	25.4	1"	UPS32-160	0013-IFC	NRF-36	E11

25°F Temperature Rise Applications							
Model	GPM	FT/HD	Minimum Pipe Size	Pump			
				Grundfos	TACO	B & G	Armstrong
40	3.0	6.9	3/4"	UPS15-58FC	007-IFC	NRF-22	E7
70	5.2	10.9	1"	UPS15-58FC	008-IFC	NRF-36	E7
100	7.4	15.7	1"	UPS26-99FC	0014-IFC	NRF-36	E7
120/120(C)	8.9	15.5	1"	UPS26-99FC	0011-IFC	NRF-36	E7

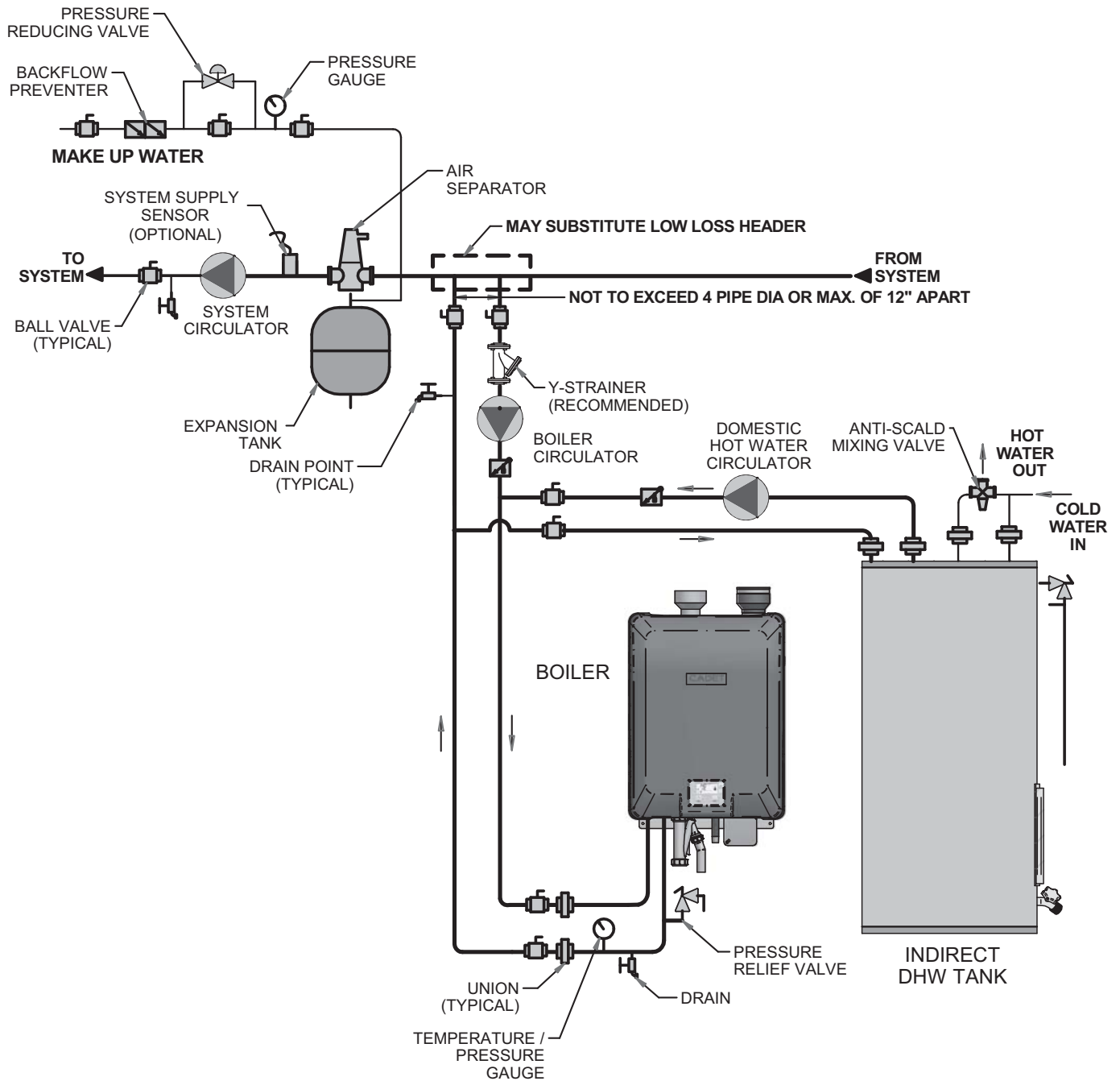
35°F Temperature Rise Applications							
Model	GPM	FT/HD	Minimum Pipe Size	Pump			
				Grundfos	TACO	B & G	Armstrong
40	2.1	3.9	3/4"	UPS15-58FC	006-IFC	NRF-22	Astro-30
70	3.7	6.0	1"	UPS15-58FC	006-IFC	NRF-22	Astro-30
100	5.3	8.8	1"	UPS15-58FC	008-IFC	NRF-36	Astro-30
120/120(C)	6.4	9.0	1"	UPS15-58FC	008-IFC	NRF-36	Astro-30

**NOTICE** The temperature rise provided by a pump/model combination will decrease by 3% per 1000 feet of elevation.

\*Only pump supplied w/boiler is DHW pump on 120 Combi version.

## 6 Hydronic piping *(continued)*

**Figure 6-4** Single Boiler - Primary / Secondary Piping

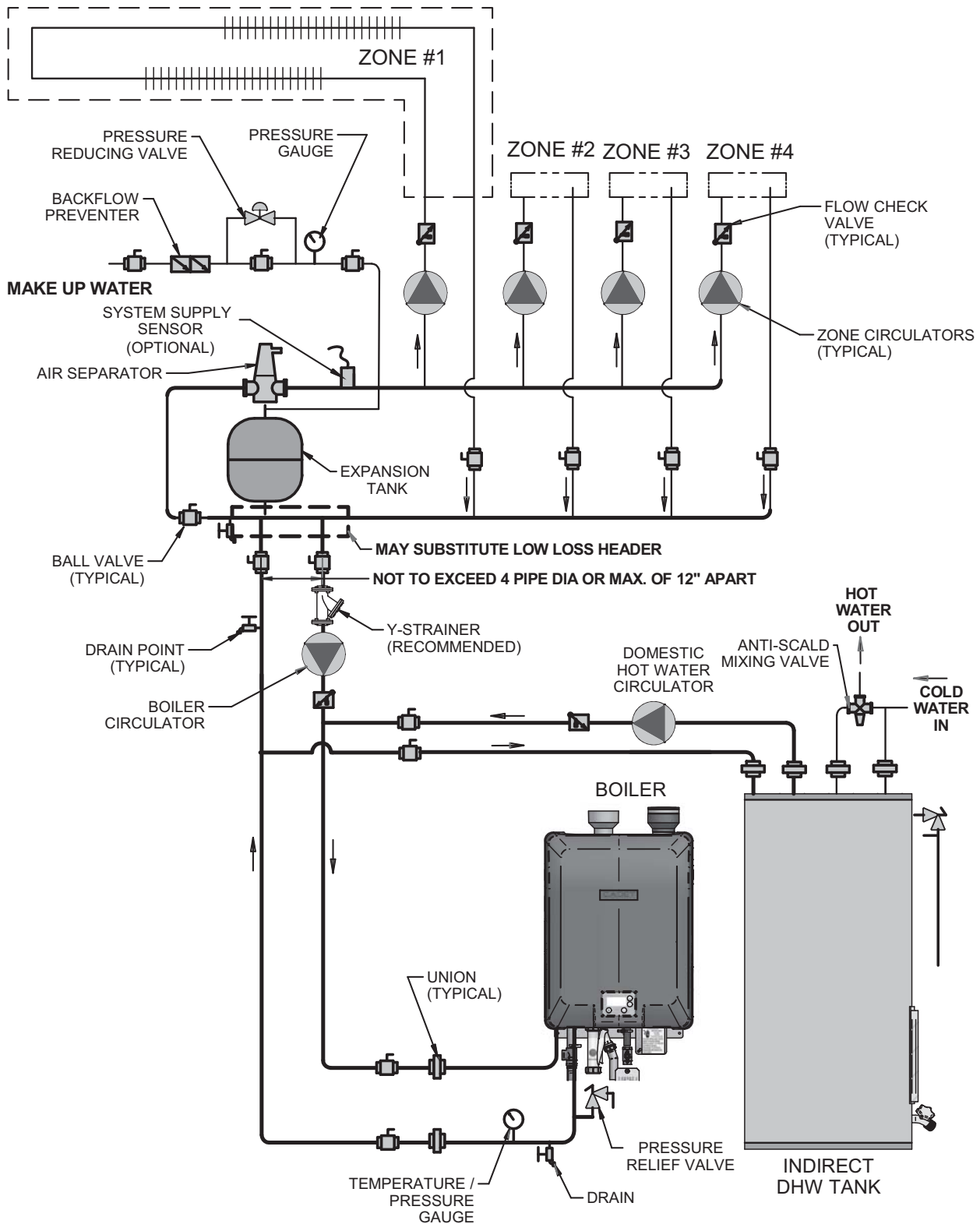


IMG00241

**NOTICE** Please note that these illustrations are meant to show system piping concept only, the installer is responsible for all equipment and detailing required by local codes.

# 6 Hydronic piping

Figure 6-5 Single Temperature Zoned with Circulators - DHW Priority



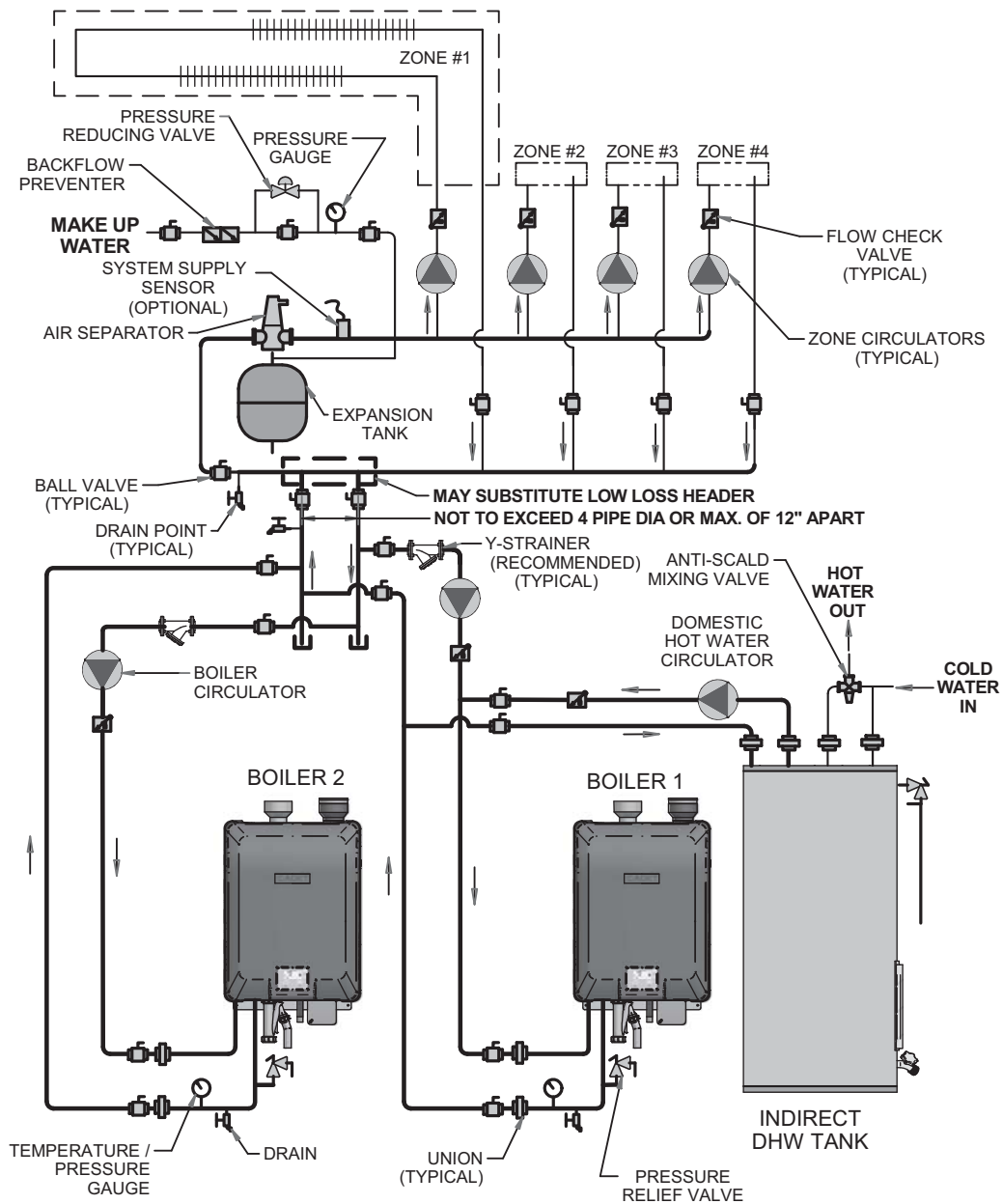
IMG00239

**NOTICE** Please note that these illustrations are meant to show system piping concept only, the installer is responsible for all equipment and detailing required by local codes.

# 6 Hydronic piping (continued)

Figure 6-6 Multiple Boilers - Single Temperature Zoned with Circulators - DHW Priority

Model	Number of Units						
	2	3	4	5	6	7	8
	Required Pipe Sizes						
40	1"	1-1/4"	1-1/4"	1-1/2"	2"	2"	2"
70	1-1/4"	1-1/2"	2"	2"	2-1/2"	2-1/2"	2-1/2"
100	1-1/2"	2"	2"	2-1/2"	2-1/2"	3"	3"
120	2"	2"	2-1/2"	2-1/2"	3"	3"	3-1/2"



IMG00240

**CAUTION**

Mixing valves are required for the protection of low temperature loops.

**NOTICE**

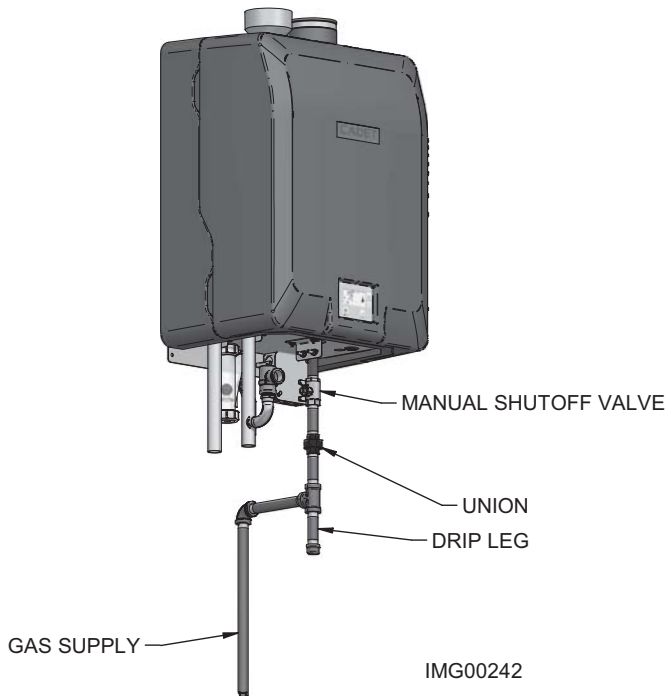
Please note that these illustrations are meant to show system piping concept only, the installer is responsible for all equipment and detailing required by local codes.

# 7 Gas connections

## Connecting gas supply piping

1. Remove the front access panel and refer to FIG. 7-1 to pipe gas to the boiler.
  - a. Install a field supplied sediment trap / drip leg upstream of the boiler gas controls.

**Figure 7-1 Gas Supply Piping**



2. Support piping with hangers, not by the boiler or its accessories.

**WARNING** The gas valve and blower will not support the weight of the piping. Do not attempt to support the weight of the piping with the boiler or its accessories. Failure to comply could result in severe personal injury, death, or substantial property damage.

3. Purge all air from the gas supply piping.
4. Before placing the boiler in operation, check the boiler and its gas connection for leaks.
  - a. Close manual main shutoff valve during any pressure testing at more than 14 inches w.c.
  - b. Disconnect the boiler and gas valve from the gas supply piping during any pressure testing greater than 14 inches w.c.

**WARNING** Do not check for gas leaks with an open flame – use the bubble test. Failure to use the bubble test or check for gas leaks can cause severe personal injury, death, or substantial property damage.

5. Use pipe sealing compound compatible with propane gases. Apply sparingly only to male threads of the pipe joints so that pipe dope does not block gas flow.

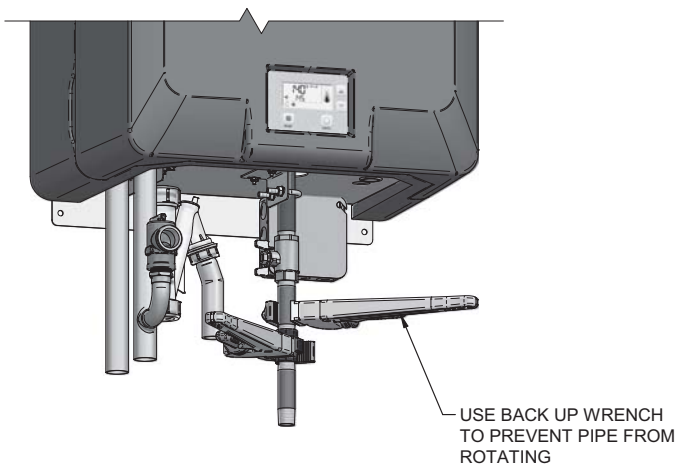
## 7 Gas connections *(continued)*

**⚠ WARNING** Failure to apply pipe sealing compound as detailed in this manual can result in severe personal injury, death, or substantial property damage.

**⚠ WARNING** Cadet heating boilers are typically shipped ready to fire on natural gas. Check boiler rating plate to determine which fuel the boiler is set for. If set to natural gas, it may be converted to LP by installing an orifice (see page 12). In order to operate on LP gas, an orifice **MUST BE** installed. Failure to comply could result in severe personal injury, death, or substantial property damage.

**⚠ WARNING** Use two wrenches when tightening gas piping at boiler (FIG. 7-2), using one wrench to prevent the boiler gas line connection from turning. Failure to support the boiler gas connection pipe to prevent it from turning could damage gas line components.

**Figure 7-2 Inlet Pipe with Backup Wrench**



IMG00243

**NOTICE** Maximum inlet gas pressure must not exceed the value specified. Minimum value listed is for the purposes of input adjustment.

### Natural gas:

#### Pipe sizing for natural gas

1. Refer to Table 7A for pipe length and diameter. Based on rated boiler input (divide by 1,000 to obtain cubic feet per hour).
  - a. Table 7A is only for natural gas with specific gravity 0.60 inches, with a pressure drop through the gas piping of 0.3 inches w.c.
  - b. For additional gas pipe sizing information, refer to ANSI Z223.1 (or B149.1 for Canadian installations).

#### Natural gas supply pressure requirements

1. Pressure required at the gas valve inlet pressure port:
  - Maximum 14 inches w.c. with no flow (lockup) or with boiler on.
  - Minimum 4 inches w.c. with gas flowing (verify during boiler startup).
2. Install 100% lockup gas pressure regulator in supply line if inlet pressure can exceed 14 inches w.c. at any time. Adjust lockup regulator for 14 inches w.c. maximum.

### Propane Gas:

**⚠ WARNING** Cadet heating boilers are typically shipped ready to fire on natural gas. Check boiler rating plate to determine which fuel the boiler is set for. If set to natural gas, it may be converted to LP by installing an orifice (see page 12). In order to operate on LP gas, an orifice **MUST BE** installed. Failure to comply could result in severe personal injury, death, or substantial property damage.

#### Pipe sizing for propane gas

1. Contact gas supplier to size pipes, tanks, and 100% lockup gas pressure regulator.

#### Propane Supply Pressure Requirements

1. Adjust propane supply regulator provided by the gas supplier for 14 inches w.c. maximum pressure.
2. Pressure required at gas valve inlet pressure port:
  - Maximum 14 inches w.c. with no flow (lockup) or with boiler on.
  - Minimum 8 inches w.c. with gas flowing (verify during boiler startup).

**⚠ WARNING** Ensure that the high gas pressure regulator is at least 6 - 10 feet upstream of the appliance.

# 7 Gas connections

**Table 7A** Natural Gas Pipe Size Chart

Capacity of Schedule 40 Metallic Pipe in Cubic Feet of Natural Gas Per Hour (based on .60 specific gravity, 0.30" w.c. pressure drop)														
Pipe Size (Inches)	Length of Pipe in Straight Feet													
	10	20	30	40	50	60	70	80	90	100	125	150	175	200
1/2	131	90	72	62	55	N/A	N/A	N/A	N/A	N/A	N/A	N/A	N/A	N/A
3/4	273	188	151	129	114	104	95	89	83	79	70	63	58	N/A
1	514	353	284	243	215	195	179	167	157	148	131	119	109	102
1 1/4	1,060	726	583	499	442	400	368	343	322	304	269	244	224	209
1 1/2	1,580	1,090	873	747	662	600	552	514	482	455	403	366	336	313
2	3,050	2,090	1,680	1,440	1,280	1,160	1,060	989	928	877	777	704	648	602
2 1/2	4,860	3,340	2,680	2,290	2,030	1,840	1,690	1,580	1,480	1,400	1,240	1,120	1,030	960
3	8,580	5,900	4,740	4,050	3,590	3,260	3,000	2,790	2,610	2,470	2,190	1,980	1,820	1,700
4	17,500	12,000	9,660	8,270	7,330	6,640	6,110	5,680	5,330	5,040	4,460	4,050	3,720	3,460

**⚠ WARNING** Cadet heating boilers are typically shipped ready to fire on natural gas. Check boiler rating plate to determine which fuel the boiler is set for. If set to natural gas, it may be converted to LP by installing an orifice (see page 12). In order to operate on LP gas, an orifice **MUST BE** installed. Failure to comply could result in severe personal injury, death, or substantial property damage.

## Check inlet gas supply

**NOTICE** CSA or UL listed flexible gas connections are acceptable, but you must exercise caution to ensure that the line has adequate capacity to allow your boiler to fire at full rate. Consult with local codes for proper installation or service procedures.

**⚠ WARNING** DO NOT adjust gas valve outlet pressure. The gas valve is factory-set for the correct outlet pressure. This setting is suitable for natural gas and propane, requiring no field adjustment. Attempting to alter the gas valve outlet pressure could result in damage to the valve, causing potential severe personal injury, death, or substantial property damage.

The gas piping must be sized for the proper flow and length of pipe, to avoid excessive pressure drop. Both the gas meter and the gas regulator must be properly sized for the total gas load.

If you experience a pressure drop greater than 1 inch w.c., the meter, regulator, or gas line is undersized or in need of service. Perform the steps below when checking inlet gas supply:

1. Shut OFF power at source.
2. Shut off gas supply at the manual gas valve in the gas piping to the appliance.
3. Loosen the set screw one (1) full turn from inside the pressure tap on top of the gas valve. Place the tubing of the manometer over the tap once the set screw is loosened as shown in FIG. 7-3.
4. Slowly turn on the gas supply at the field installed manual gas valve.
5. Turn ON power at source.
6. Adjust the temperature set point on the control panel of the boiler control module to call for heat.
7. Observe the gas supply pressure as the burner fires at 100% of rated input. Percent of burner input will be displayed on the control panel. Scroll through to see percentage (%), but the flame symbol will constantly show the input in increments of 20%.
8. Ensure inlet pressure is within specified range. Minimum and maximum gas supply pressures are specified in this section of the manual.
9. If gas supply pressure is within normal range and no adjustments are needed, proceed on to Step 11.
10. If the gas pressure is out of range, contact the gas utility, gas supplier, qualified installer or service agency to determine the necessary steps to provide proper gas pressure to the control.
11. Turn OFF power at source.

## 7 Gas connections *(continued)*

12. Shut off the gas supply at the manual gas valve in the gas piping to the appliance.
13. Remove the manometer from the pressure tap on top of the gas valve. Re-tighten the set screw inside the pressure tap.

**⚠ WARNING** When re-tightening the set screw, be sure to tighten securely to prevent gas leaks.

Do not check for gas leaks with an open flame -- use the bubble test. Failure to use the bubble test or check for gas leaks can cause severe personal injury, death, or substantial property damage.

14. Turn on the gas supply at the manual gas valve.
15. Turn ON power at source.
16. Adjust the temperature set point on the control panel of the boiler control module to the desired water temperature so the appliance will call for heat.
17. Check burner performance by cycling the system while you observe burner response. The burner should ignite promptly. Flame pattern should be stable. Turn system off and allow burner to cool, then cycle burner again to ensure proper ignition and flame characteristics.

### Gas Pressure

The gas pressure must remain between 4 inches w.c. (natural), 8 inches w.c. (LP) minimum and 14 inches w.c. (natural and LP) maximum during stand-by (static) mode and while in operating (dynamic) mode. If an in-line regulator is used, it must be a minimum of 10 feet from the Cadet heating boiler. It is very important that the gas line is properly purged by the gas supplier or utility company. Failure to properly purge the lines or improper line sizing, will result in ignition failure.

The problem is especially noticeable in NEW LP installations and also in empty tank situations. This can also occur when a utility company shuts off service to an area to provide maintenance to their lines.

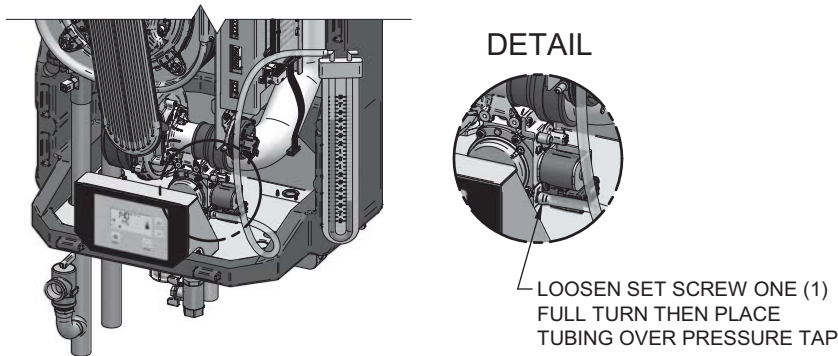
### Gas valve replacement

The gas valve **MUST NOT** be replaced with a conventional gas valve under any circumstances.

**⚠ WARNING** Failure to follow all precautions could result in fire, explosion, or death!

**⚠ WARNING** DO NOT adjust gas valve outlet pressure. The gas valve is factory-set for the correct outlet pressure. This setting is suitable for natural gas and propane, requiring no field adjustment. Attempting to alter the gas valve outlet pressure could result in damage to the valve, causing potential severe personal injury, death, or substantial property damage.

**Figure 7-3 Inlet Gas Supply Check**



IMG00244

## 8 Field wiring

### ⚠ WARNING

**ELECTRICAL SHOCK HAZARD** – For your safety, turn off electrical power supply before making any electrical connections to avoid possible electric shock hazard. Failure to do so can cause severe personal injury or death.

### NOTICE

Wiring must be N.E.C. Class 1.

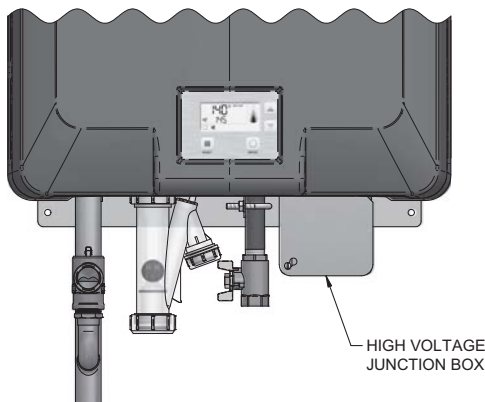
If original wiring as supplied with boiler must be replaced, use only type 105°C wire or equivalent.

Boiler must be electrically grounded as required by National Electrical Code ANSI/NFPA 70 – latest edition.

### ⚠ CAUTION

Label all wires prior to disconnection when servicing controls. Wiring errors can cause improper and dangerous operation.

**Figure 8-1** Remove Metal Junction Box Cover



IMG00269

### Installation must comply with:

1. National Electrical Code and any other national, state, provincial, or local codes, or regulations.
2. In Canada, CSA C22.1 Canadian Electrical Code Part 1, and any local codes.

### Line voltage connections

1. Remove the cover of the metal junction box as shown in FIG. 8-1.
2. Connect 120 vac power wiring using wire nuts (field supplied) to the labeled line voltage terminal wires in the junction box.
3. Provide and install a fused disconnect or service switch (15 amp recommended) as required by the code.
4. Wire the boiler pump (maximum 1.8 amps) to the labeled wires inside the junction box.
5. When connecting a domestic hot water (DHW) pump (maximum 1.8 amps), connect using field supplied wire nuts to the labeled wires inside the junction box.

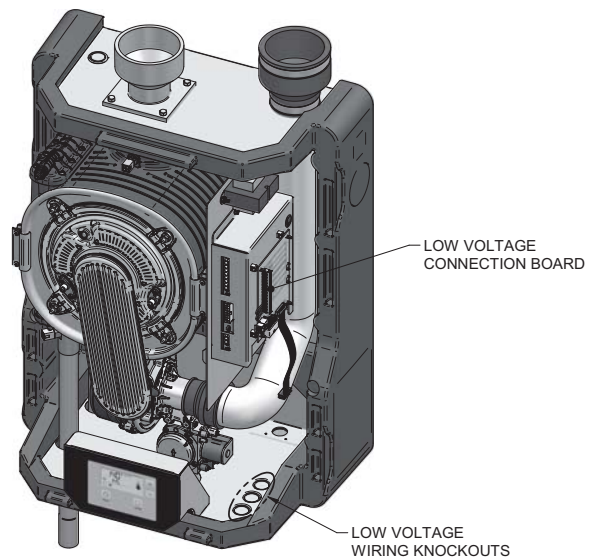
### Low voltage connections

1. Route all low voltage wires through the knockouts in the bottom front right side, just under the control panel, as shown in FIG. 8-2.
2. Connect low voltage wiring to low voltage connection board as shown in FIG. 8-3 on page 48 of this manual and the boiler wiring diagram.

### NOTICE

Do not run low voltage wires next to high voltage wires in the same conduit.

**Figure 8-2** Routing Field Wiring



IMG00246

## 8 Field wiring *(continued)*

### Outdoor temperature sensor

In accordance with the United States Energy Policy and Conservation Act, this boiler is equipped with outdoor air reset, a feature that saves energy by reducing boiler water temperature as heating load decreases. To use this feature, the outdoor air sensor provided with the boiler must be properly installed.

1. Mount the sensor on an exterior wall, shielded from direct sunlight or flow of heat or cooling from other sources.
2. Route sensor wires through a knockout in the bottom front right side of the boiler (see FIG. 8-2).
3. Connect outdoor temperature sensor (FIG. 8-3) to the outdoor sensor terminals on the connection board to enable outdoor reset operation of the Cadet heating boiler.

### Auxiliary limit switch

A field supplied auxiliary limit switch can be used for the gas pressure switch. When installing the auxiliary limit switch, please follow the kit instructions provided with the switch and then proceed as follows:

1. If the auxiliary switch is mounted to the exterior of the boiler, run the wires through a knockout in the bottom front right side of the boiler. If the auxiliary limit switch is mounted on the interior of the boiler, route the wires to the connection board.
2. Once the wires are inside the boiler and near the connection board, connect the wires to the auxiliary limit switch terminals.

### DHW thermostat

1. Connect indirect water heater (DHW) thermostat (FIG. 8-3) to the DHW thermostat terminals on the connection board. If a tank sensor is connected (see DHW Tank Sensor below) the tank thermostat is ignored.

### DHW tank sensor

1. By installing a tank sensor, the boiler control can perform the tank thermostat function. The boiler control automatically detects the presence of this sensor and generates a DHW call for heat when the tank temperature drops 6°F (3°C) below the tank set point and finishes the call for heat when the tank temperature reaches the tank set point.
2. The only sensor suitable for use with the boiler control is the manufacturer's tank sensor (TST20015). Connect the sensor leads to the Tank Sensor terminals on the Low Voltage Connection Board.

#### **⚠ WARNING**

Failure to use the correct sensor may result in the tank temperature being either above or below the set point.

3. If the TST20015 is not compatible with the indirect tank, a tank thermostat can be used to control the boiler. The tank thermostat should be installed per the manufacturers instructions and wired to the DHW Thermostat terminals on the Low Voltage Connection Board.

### Flow switch

1. A flow switch is used to guarantee flow through the boiler before allowing it to fire. The flow switch must be installed at the boiler outlet.
2. Connect the normally open contacts on the flow switch to these terminals (FIG. 8-3).

### System supply sensor

1. By installing the optional system supply sensor into the supply of the primary loop, the temperature of the primary supply can be controlled. The boiler control automatically detects the presence of this sensor, and controls the boiler firing rate to maintain the system supply temperature to the set point.

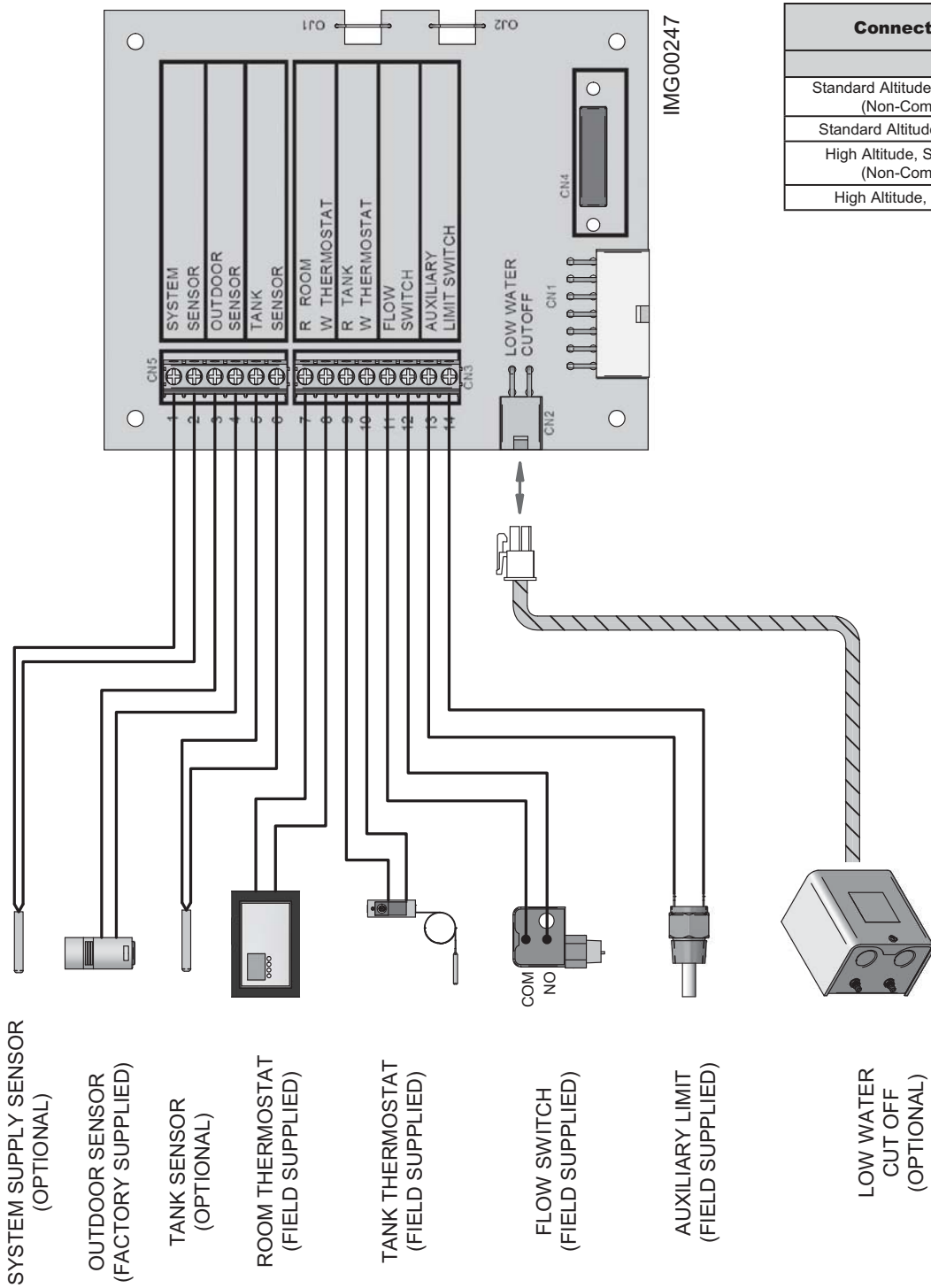
#### **⚠ CAUTION**

Do not install the system supply sensor into the system return.

2. KIT3078 must be used for the system sensor.
3. Connect the system supply sensor to these terminals (FIG. 8-3).

# 8 Field wiring

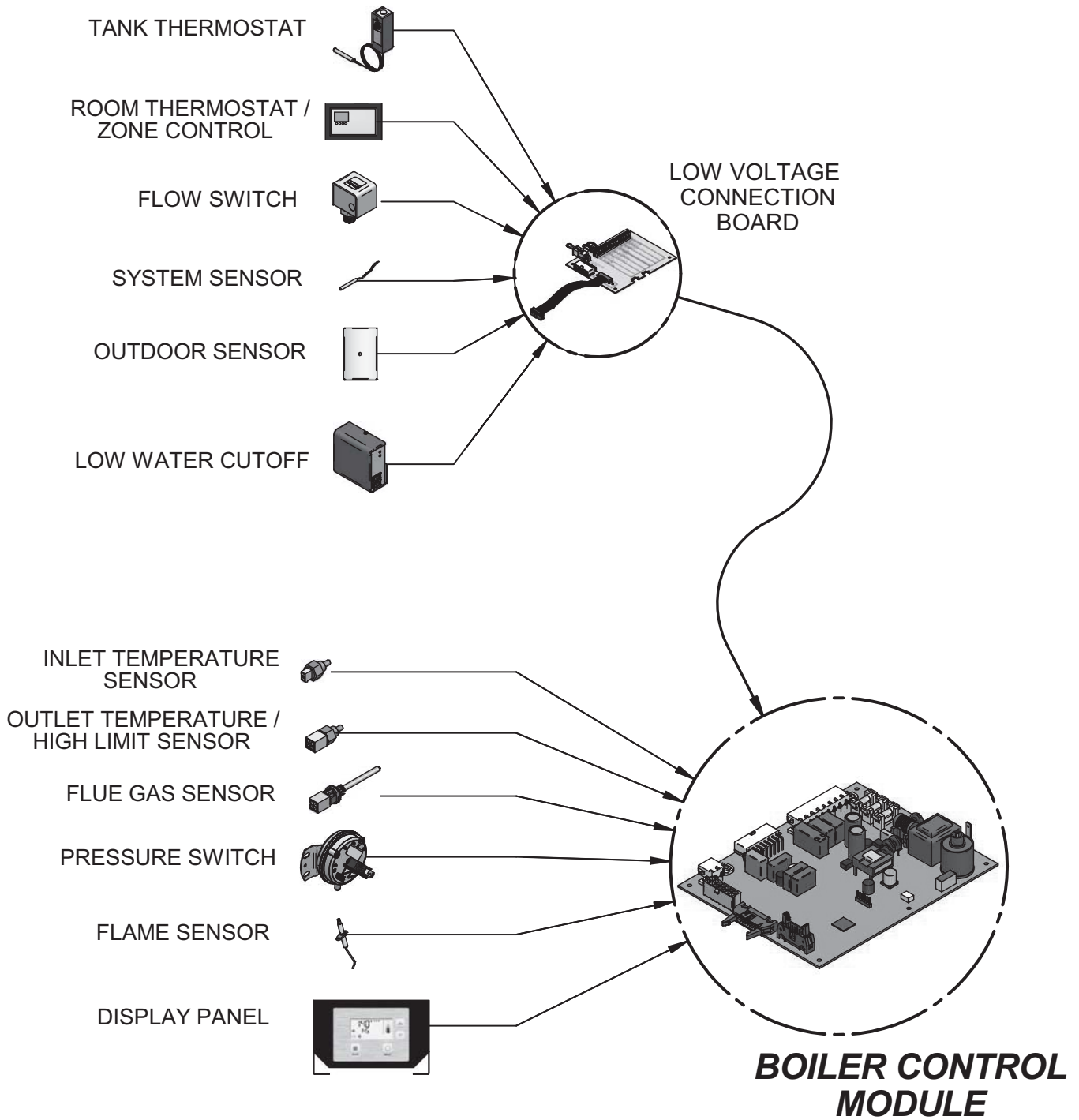
Figure 8-3 Low Voltage Field Wiring Connections



Connection Board Configurations		
	OJ1	OJ2
Standard Altitude, Standard (Non-Combi)	Cut	Connected
Standard Altitude, Combi	Cut	Cut
High Altitude, Standard (Non-Combi)	Connected	Connected
High Altitude, Combi	Connected	Cut

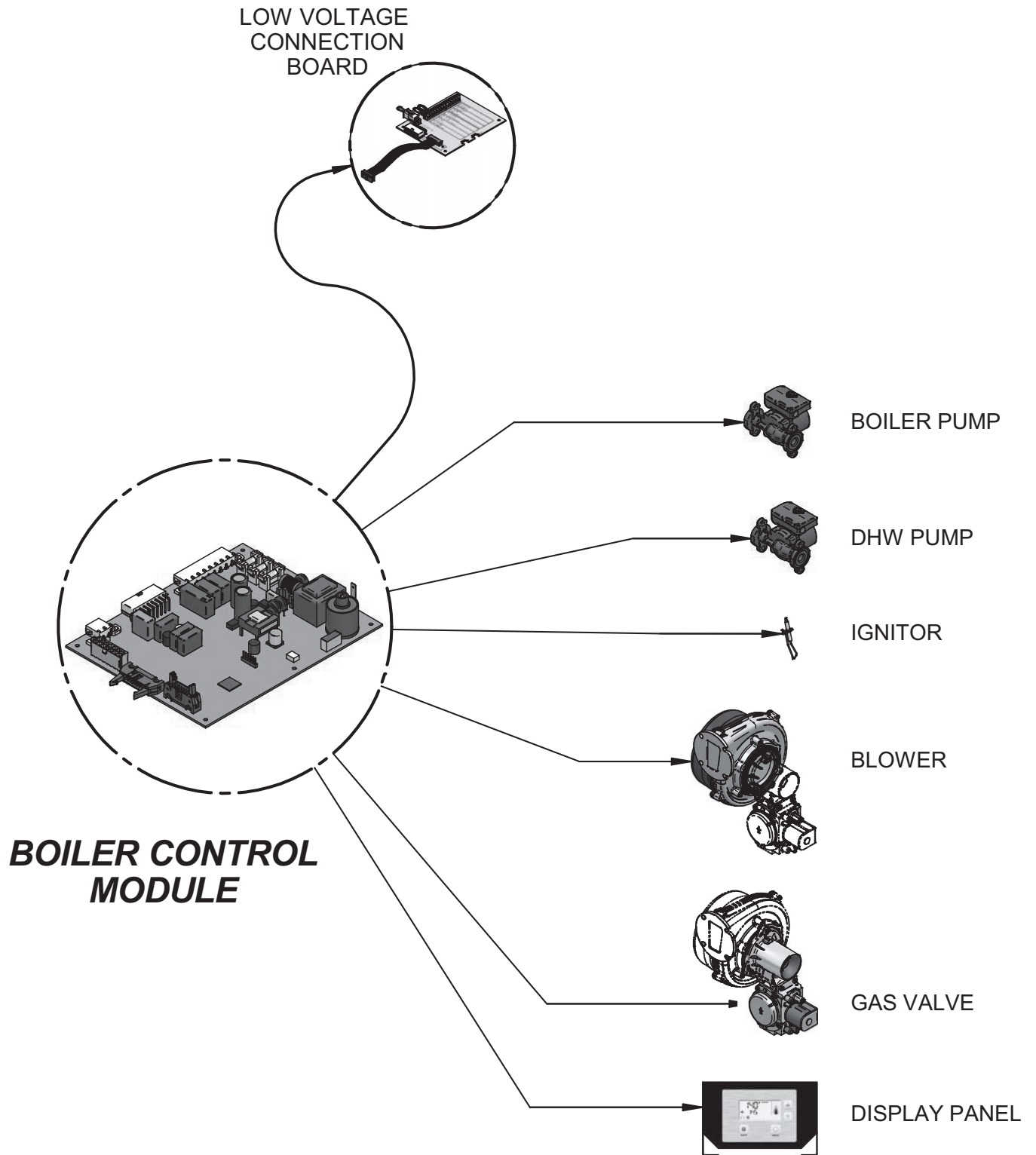
# 8 Field wiring *(continued)*

**Figure 8-4** Control Inputs



# 8 Field wiring

Figure 8-5 Control Outputs



IMG00259

# 9 Condensate disposal

## Condensate drain

1. This boiler is a high efficiency appliance that produces condensate.
2. The bottom of the boiler has a 3/4 inch pipe for connection of a 3/4 inch PVC pipe (FIG. 9-1).
3. Slope condensate tubing down and away from the boiler into a drain or condensate neutralizing filter. Condensate from the Cadet heating boiler will be slightly acidic (typically with a pH from 3 to 5). Install a neutralizing filter if required by local codes.

A Neutralizer Kit is available from the factory (KIT3087).

4. Do not expose condensate line to freezing temperatures.
5. Use only plastic tubing or piping as a condensate drain line (FIG. 9-1).

**NOTICE**

Use materials approved by the authority having jurisdiction. In the absence of other authority, PVC and CPVC pipe must comply with ASTM D1785 or D2845. Cement and primer must comply with ASME D2564 or F493. For Canada use CSA or ULC certified PVC or CPVC pipe, fittings, and cement.

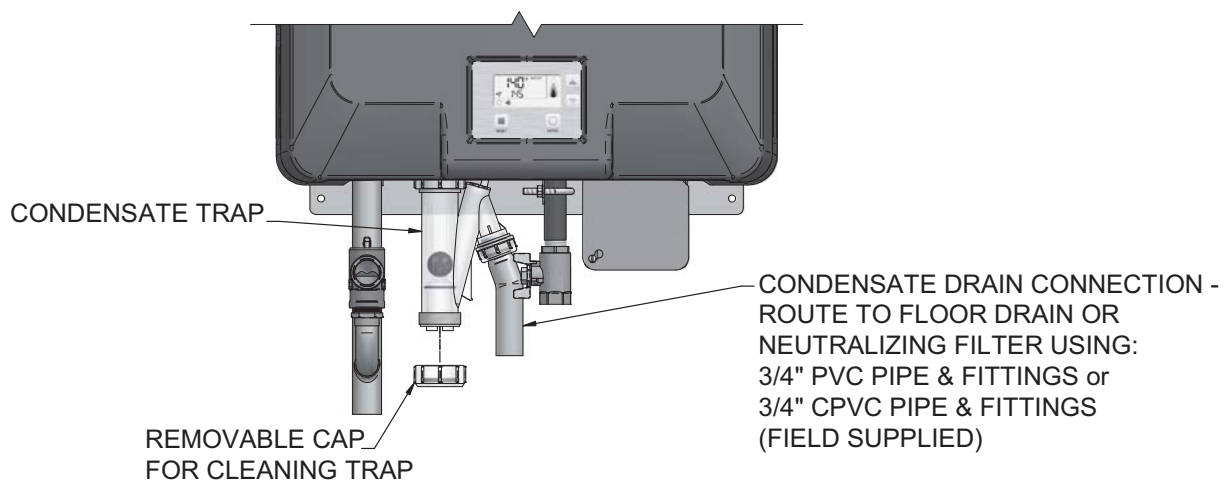
**NOTICE**

To allow for proper drainage on large horizontal runs, a second line vent may be required and tubing size may need to increase to 1 inch.

The condensate line must remain unobstructed, allowing free flow of condensate. If condensate is allowed to freeze in the line or if the line is obstructed in any other manner, condensate can exit from the boiler tee, resulting in potential water damage to property.

6. A condensate removal pump is required if the boiler is below the drain. When installing a condensate pump, select one approved for use with condensing boilers and furnaces. The pump should have an overflow switch to prevent property damage from condensate spillage.

**Figure 9-1** Condensate Disposal



IMG00248

# 10 Start-up

## Check/control water chemistry

**⚠ CAUTION** Do not use petroleum-based cleaning or sealing compounds in the boiler system. Damage to elastomer seals and gaskets in the system could occur, resulting in substantial property damage.

### Hardness less than 7 grains

1. Consult local water treatment companies for hard water areas (above 7 grains hardness).

### Chlorine concentration less than 200 ppm

1. Do not fill boiler or operate with water containing chlorine in excess of 200 ppm.
2. Filling with chlorinated fresh water should be acceptable since drinking water chlorine levels are much lower.
3. Do not use the boiler to directly heat swimming pool or spa water.

### Test/replace freeze protection fluid

1. For systems using freeze protection fluids, follow fluid manufacturer's instructions.
2. Freeze protection fluid must be replaced periodically due to degradation of inhibitors over time. Follow all fluid manufacturer's instructions.

### Freeze protection (when used)

1. Determine freeze protection fluid quantity using system water content, following fluid manufacturer's instructions. Boiler water content is listed on page 6. Remember to include expansion tank water content.
2. Local codes may require a backflow preventer or actual disconnect from city water supply.
3. When using freeze protection fluid with automatic fill, install a water meter to monitor water makeup. Freeze protection fluid may leak before the water begins to leak, causing concentration to drop, reducing the freeze protection level.

### Fill and test water system

1. Fill system only after ensuring the water meets the requirements of this manual.
2. Close manual and automatic air vents and boiler drain valve.

3. Fill to correct system pressure. Correct pressure will vary with each application.
  - a. The minimum cold water fill pressure for a residential system is 12 psi.
  - b. Pressure will rise when boiler is turned on and system water temperature increases.
4. At initial fill and during boiler startup and testing, check system thoroughly for any leaks. Repair all leaks before proceeding further.

**⚠ WARNING** Eliminate all system leaks. Continual fresh makeup water will reduce boiler life. Minerals can build up in the heat exchanger, reducing heat transfer, overheating the heat exchanger, and causing heat exchanger failure.

### Purge air from water system

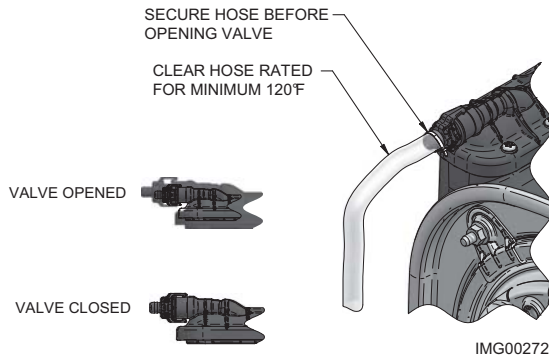
1. Purge air from system:
  - a. Connect a hose to the purge valve (see purge/drain valves, in piping diagrams on pages 39 through 41). Route the hose to an area where water can drain and be seen.
  - b. Close the boiler or system isolation valve between the purge valve and fill connection to the system.
  - c. Close zone isolation valves.
  - d. Open quick-fill valve on cold water makeup line.
  - e. Open purge valve.
  - f. One zone at a time, open the isolation valves. Allow water to run through the zone, pushing out the air. Run until no noticeable air flow is present. Close the zone isolation valves and proceed with the next zone. Follow this procedure until all zones are purged.
  - g. Close the quick-fill water valve and purge valve and remove the hose. Open all isolation valves. Watch that system pressure rises to correct cold-fill pressure.
  - h. After the system has operated for a while, eliminate any residual air by using the manual air vents located throughout the system.
  - i. If purge valves are not installed in the system, open the manual air vents in the system one at a time, beginning with the lowest floor. Close the vent when water squirts out. Repeat with remaining vents.
2. Open automatic air vent (diaphragm-type or bladder-type expansion tank systems only) one turn.
3. Open other vents:
  - a. Starting on the lowest floor, open air vents one at a time until water squirts out.
  - b. Repeat with remaining vents.
4. Refill to correct pressure.

# 10 Start-up *(continued)*

## Purge air from heat exchanger

1. Attach a 5/16" flexible clear tube (rated for a maximum temperature of 120°F) over the barbed nipple on the manual air vent as shown in FIG. 10-1.
2. Fasten a wire tie (field supplied) securely around the tube attached to the barbed nipple on the manual air vent to keep the plastic tube from separating from the barbed nipple when purging the system.
3. Turn the manual air vent to the open position as shown in FIG. 10-1. Air and water should drain freely from the system.
4. Once the water is flowing freely from the end of the hose (water ONLY), close the manual air vent.
5. Once the valve is closed, remove the tube from the manual air vent.

**Figure 10-1 Manual Air Vent**



## Check for gas leaks

**⚠ WARNING**

Before starting the boiler, and during initial operation, smell near the floor and around the boiler for gas odorant or any unusual odor. Remove the front access panel and smell the interior of the boiler enclosure. Do not proceed with startup if there is any indication of a gas leak. Use an approved leak detection solution. Repair any leaks at once.

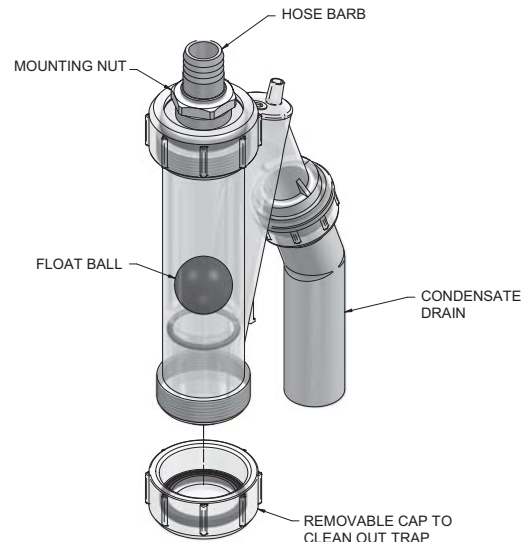
**⚠ WARNING**

DO NOT adjust gas valve outlet pressure. The gas valve is factory set for the correct outlet pressure. This setting is suitable for natural gas and propane, requiring no field adjustment. Attempting to alter the gas valve outlet pressure could result in damage to the valve, causing potential severe personal injury, death, or substantial property damage.

**⚠ WARNING**

Propane boilers only – Your propane supplier mixes an odorant with the propane to make its presence detectable. In some instances, the odorant can fade, and the gas may no longer have an odor. Before startup (and periodically thereafter), have the propane supplier verify the correct odorant level in the gas.

**Figure 10-2 Condensate Trap**



## Check thermostat circuit(s)

1. Disconnect the external wire connected to the room thermostat terminal on the connection board.
2. Connect a voltmeter across these two incoming wires. Close each thermostat, zone valve, and relay in the external circuit one at a time and check the voltmeter reading across the incoming wires.
3. There should NEVER be a voltage reading.
4. If a voltage does occur under any condition, check and correct the external wiring. (This is a common problem when using 3-wire zone valves.)
5. Once the external thermostat circuit wiring is checked and corrected if necessary, reconnect the external thermostat circuit wires to the connection board.

## Inspect condensate system

### Inspect/check condensate lines and fittings

Inspect the condensate drain line, condensate PVC fittings and condensate trap.

### Clean/Inspect Trap Assembly

Remove the clean out cap on the bottom of the trap. Let the condensate and any debris drain out.

# 10 Start-up

## Final checks before starting the boiler

- ❑ Read this manual to familiarize yourself with boiler control module operation. Reference page 55 for proper steps to start boiler.
- ❑ Verify the boiler and system are full of water and all system components are correctly set for operation.
- ❑ Verify the preparation procedures of Section 10, pages 52 and 53 have been completed.
- ❑ Verify electrical connections are correct and securely attached.
- ❑ Inspect vent piping and air piping for signs of deterioration from corrosion, physical damage or sagging. Verify air piping and vent piping are intact and correctly installed per this manual.

## Start the boiler

1. Read and follow the Operating instructions in FIG. 10-2, page 55.

## If boiler does not start correctly

1. Check for loose connections, blown fuse or service switch off?
2. Is boiler water temperature above 200°F?
3. Is thermostat set below room temperature?
4. Is gas turned on at meter or boiler?
5. Is incoming gas pressure less than 4 inches w.c.?

If none of the above corrects the problem, refer to the Troubleshooting Section.

## Check system and boiler

### ❑ Check water piping

1. Check system piping for leaks. If found, shut down the boiler and repair immediately. (See WARNINGS on pages 52 and 53 (startup) regarding failure to repair leaks.)
2. Vent any remaining air from the system using manual vents. Air in the system will interfere with circulation and cause heat distribution problems and noise.

### ❑ Check vent piping and air piping

1. Check for gastight seal at every connection, seam of air piping, and vent piping.

#### **⚠ WARNING**

Venting system must be sealed gastight to prevent flue gas spillage and carbon monoxide emissions, which will result in severe personal injury or death.

### ❑ Check gas piping

1. Check around the boiler for gas odor following the procedure on page 42 of this manual (connecting gas supply piping).

#### **⚠ WARNING**

If you discover evidence of any gas leak, shut down the boiler at once. Find the leak source with a bubble test and repair immediately. Do not start the boiler again until corrected. Failure to comply could result in severe personal injury, death, or substantial property damage.

### ❑ Propane boilers – verify conversion

1. Verify propane conversion has been completed per the Propane Conversion instructions.

#### **⚠ WARNING**

DO NOT adjust gas valve outlet pressure. The gas valve is factory-set for the correct outlet pressure. This setting is suitable for natural gas and propane, requiring no field adjustment. Attempting to alter the gas valve outlet pressure could result in damage to the valve, causing potential severe personal injury, death, or substantial property damage.

#### **⚠ WARNING**

Cadet heating boilers are typically shipped ready to fire on natural gas. Check boiler rating plate to determine which fuel the boiler is set for. If set to natural gas, it may be converted to LP by installing an orifice (see page 12). In order to operate on LP gas, an orifice **MUST BE** installed. Failure to comply could result in severe personal injury, death, or substantial property damage.

## Check flame and combustion

1. Turn the main power off to the boiler.
2. Remove the flue temperature sensor from the heat exchanger. **Note:** Combustion measurements will be made at this point.

# 10 Start-up *(continued)*

Figure 10-2 Operating Instructions

FOR YOUR SAFETY READ BEFORE OPERATING

**WARNING:** If you do not follow these instructions exactly, a fire or explosion may result causing property damage, personal injury, or loss of life.

A. This appliance does not have a pilot. It is equipped with an ignition device which automatically lights the burner. Do not try to light the burner by hand.

B. BEFORE OPERATING smell all around the appliance area for gas. Be sure to smell next to the floor because some gas is heavier than air and will settle on the floor.

**WHAT TO DO IF YOU SMELL GAS**

- Do not try to light any appliance.
- Do not touch any electric switch; do not use any phone in your building.

- Immediately call your gas supplier from a neighbor's phone. Follow the gas supplier's instructions.
- If you cannot reach your gas supplier, call the fire department.

C. Use only your hand to move the gas control switch. Never use tools. If the switch will not move by hand, don't try to repair it, call a qualified service technician. Force or attempted repair may result in a fire or explosion.

D. Do not use this appliance if any part has been under water. Immediately call a qualified service technician to inspect the appliance and to replace any part of the control system and any gas control which has been under water.

OPERATING INSTRUCTIONS

1. **STOP!** Read the safety information above on this label.
2. Set the thermostat to lowest setting.
3. Turn off all electric power to the appliance.
4. This appliance is equipped with an ignition device which automatically lights the burner. Do not try to light the burner by hand.
5. Turn gas shutoff valve clockwise to close valve. Handle will be perpendicular to pipe. Do not force.
6. Wait five (5) minutes to clear out any gas. If you then smell gas, **STOP!** Follow "B" in the safety information above this label. If you don't smell gas, go to next step.

7. Turn gas shutoff valve counterclockwise to open valve. Handle will be parallel to pipe.
8. Turn on all electric power to appliance.
9. Set thermostat to desired setting.
10. If the appliance will not operate, follow the instructions "To Turn Off Gas To Appliance" and call your service technician or gas supplier.

TO TURN OFF GAS TO APPLIANCE

1. Set the thermostat to lowest setting.
2. Turn off all electric power to the appliance if service is to be performed.

3. Turn gas shut off valve clockwise to close valve. Handle will be perpendicular to pipe. Do not force.

LBL20274 REV A

# 10 Start-up

Check flame and combustion *(continued)*

**NOTICE** Please note that the brackets ([ ]) denote screen status.

3. Place the boiler into the active position by pressing the UP button for five (5) seconds (FIG. 11-1, page 63).
4. Press ENTER plus the UP button for 5 seconds to enter Service Mode.
5. Insert the probe from a combustion analyzer into the hole left by the removal of the flue temperature sensor.
6. Once the boiler has modulated up to full fire, measure the combustion. The values should be in the range listed in Table 10A below. The CO levels should be less than 150 ppm for a properly installed unit.

If the combustion is not within the specified range, reference Section 13 - Troubleshooting for possible causes and corrective actions.

**Table 10A Flue Products Chart**

Natural Gas		Propane	
CO <sub>2</sub>	O <sub>2</sub>	CO <sub>2</sub>	O <sub>2</sub>
8.0% - 10%	3.0% - 6.5%	10.0% - 11%	4.1% - 5.4%

7. Once the combustion analysis is complete, exit Service Mode.
8. Turn the main power off to the boiler and replace the flue temperature sensor into the heat exchanger.
9. Place the boiler back into normal operation.

**WARNING** You must replace the flue gas temperature sensor to prevent flue gas spillage into the room. Failure to comply could result in severe personal injury, death, or substantial property damage.

Set space heating operation

### Determine controlling sensor

For space heating systems, the temperature control can be based on the outlet or the system supply sensor (optional). The control will automatically switch to the system supply sensor once it is connected.

### Verify space heat circulator operation

The Space Heating Mode controls the boiler pump. When the boiler control receives a space heating call for heat and the boiler is not heating an indirect DHW (Domestic Hot Water) tank, and the set point is not met, it turns on the boiler pump. After the space heating call for heat ends and the boiler pump was running, it continues to run for a short period of time. This pump delay is factory set to 30 seconds.

### Adjust set point temperature

1. Press the ENTER key and hold for five seconds until “u01” appears in the middle of the screen.
2. Press the ENTER key again and “u02” will appear in the screen along with the current SH set point.
3. Press the UP and DOWN keys to adjust the set point.
4. Press the ENTER key twice to save the new SH set point and return to the default screen.

Set domestic hot water (DHW) operation

### Verify DHW operation (if used)

When a DHW demand begins, the control will start the DHW pump, turn off the boiler pump (if running), and modulate to bring the outlet temperature to the DHW boiler set point.

### Set boiler DHW target temperature

When in the DHW Mode, the control will modulate to maintain the boiler outlet temperature to a set point. This set point is set at the factory to 180°F. If a different set point is desired, the appropriate parameter in the control must be changed. Reference Section 11 - Operating Information for a detailed explanation of this procedure.

# 11 Operating information

## General

### How the boiler operates

The Cadet heating boiler uses an advanced stainless steel heat exchanger and electronic control module that allows fully condensing operation. The blower pulls in air and pushes flue products out of the boiler through the heat exchanger and flue piping. The control module regulates blower speed to control the boiler firing rate. The gas valve senses the amount of air flowing into the boiler and allows only the right amount of gas to flow.

### How the control module operates

The boiler control module receives inputs from boiler sensors and external devices. The control module activates and controls the blower and gas valve to regulate heat input and switches the boiler and Domestic Hot Water (DHW) pumps on and off as needed. The user programs the module to meet system needs by adjusting control parameters. These parameters set operating temperatures and boiler operating modes. Boiler operation can be based on boiler outlet water temperature or system supply temperature.

### Control inputs and outputs

#### Room thermostat

The room thermostat input tells the boiler to provide heat for space heating.

#### DHW priority

The boiler control allows the connection of a DHW thermostat or tank sensor to the low voltage connection board. On standard boilers, when a tank sensor is connected, the tank thermostat input is ignored. On combi boilers, the DHW flow switch is connected to the tank thermostat input.

#### DHW / space heating (SH) cycling

If a DHW call for heat is received while a space heating call is in progress, the control will start the DHW pump and shut the boiler pump off. If the space heating call is still active while the DHW call is in operation, the control will wait for 30 minutes, then it will switch back to the space heating demand. The control will switch back and forth until one of the heat demands end.

#### Anti-cycling

After the burner turns off, the control will delay the next burner cycle for a set time period. The time delay will be bypassed if the inlet water temperature drops too far during the delay.

### Boiler pump control

The boiler pump will run whenever the burner is firing, unless the boiler is heating the DHW tank. The boiler pump will run during Freeze Protection Mode as well. It will continue to run for a short time after the burner turns off or the Freeze Protection Mode ends.

### Temperature control

#### Modulation

The Cadet heating boiler is capable of modulating its firing rate from a minimum of 20% to a maximum of 100%. The firing rate is dictated by the call for heat (i.e., space heating or domestic hot water), the heating load, and various other temperature limitations.

#### Gradient limiting

If during operation of the boiler the outlet water temperature is rising too quickly, the control will reduce the firing rate to its lowest setting.

#### Outdoor air reset

With the outdoor air sensor connected, the control module will calculate the set point space heating demand based on the programmed reset curve. The installer can change the slope of the reset curve by two (2) adjustable parameters. The user can limit the maximum set point for the system using the space heating set point.

#### Flame current support

To prevent nuisance shutdowns when the boiler is firing at low rates, the control will increase the firing rate when the flame signal drops too low.

### Protection features

#### Outlet temperature, flue temperature, and temperature rise limiting

The outlet temperature is monitored by the boiler outlet temperature sensor. When the outlet temperature exceeds 185°F, the unit will reduce the maximum fan speed. If the outlet water temperature exceeds 195°F the control will shut the unit down until it cools off.

The control module monitors the flue temperature by a sensor located in the flue exhaust. If the flue temperature exceeds 215°F the control will reduce the maximum fan speed. If the flue temperature exceeds 240°F the control will shut the unit down. The unit will restart automatically once the flue temperature drops 25°F and the minimum off time has expired.

# 11 Operating information

The control monitors the temperature difference between the inlet and the outlet sensor. If this difference exceeds 55°F the control will reduce the maximum fan speed. If the temperature difference exceeds 60°F the control will shut the unit down. The unit will restart automatically once the temperature difference has dropped below 55°F and the minimum off time has expired.

## Freeze protection

DO NOT install the boiler in a room likely to freeze.

The following integral feature of the boiler control module provides some protection for the boiler only -- not for the system.

The boiler control module provides freeze-up protection as follows:

- Below 45°F, the boiler operates constantly.
- Below 37°F, the boiler turns on.
- Boiler and pumps turn off if boiler water temperature rises above 45°F.

### NOTICE

When system return temperatures are maintained below the dew point, condensation will form on the inside of the boiler jacket causing some internal sheet metal components to rust.

### CAUTION

This feature of the boiler control module does not eliminate the possibility of freezing. The installation must still use recognized design, installation and maintenance practice to prevent freeze potential for the boiler and system.

## Monitor external limits

Connections are provided on the connection board for external limits such as a flow switch or low water cutoff. The boiler control will shut off the burner and inhibit relighting whenever any of these external limits open.

## Boiler temperature regulation

### Operating temperature (target)

The boiler control module senses water temperature and regulates boiler firing rate to achieve a target temperature. The target temperature is calculated as described in this section under "*Outdoor Reset Operation*" when the outdoor sensor is connected. The maximum target temperature can be limited by the user using the space heating set point. This temperature can be set between 32°F and 190°F. If the outdoor sensor is shorted or not properly installed, the target temperature is fixed at the space heating set point.

## High limit operations

The Cadet heating boiler is equipped with an adjustable automatic reset high limit and a fixed manual reset high limit. The automatic reset high limit has a maximum set point of 200°F and the manual reset high limit has a set point of 210°F.

When the outlet temperature exceeds 200°F, the automatic high limit action occurs. The boiler shuts down until the outlet water temperature cools below 190°F, and a 60 second timer has expired. If the outlet temperature continues to increase, the manual reset high limit action will occur at 210°F.

## High limit setting procedure

### NOTICE

Please note that the brackets ([ ]) denote screen status.

1. Turn ON the main power to the boiler by placing the ON/OFF switch in the ON position.
2. If boiler status reads [OFF] place the boiler into the active position by pressing the UP key for 5 seconds.
3. Press ENTER plus the DN button for 5 seconds.
4. Press the ENTER button until [P90] appears.
5. Press the UP/DN button to change the high limit set point.
6. Press ENTER three (3) times to save the new parameters (or Control Time Out will save automatically).

## Low water cutoff protection

1. The boiler control module uses temperature sensing of both supply and return ports of the heat exchanger. If the flow rate is too low or the outlet temperature too high, the control module modulates and shuts the boiler down. This ensures boiler shutdown in the event of low water or low flow conditions.
2. Some codes and jurisdiction may accept these integral features of the control in lieu of requiring an additional limit control or low water cutoff. Consult local jurisdiction to determine. A low water cutoff is available from the factory (WTR20009).

## Outdoor reset operation

### Target temperature with outdoor reset

This feature improves the system's efficiency by reducing boiler water set point as the outdoor temperature warms up.

### Reset curve

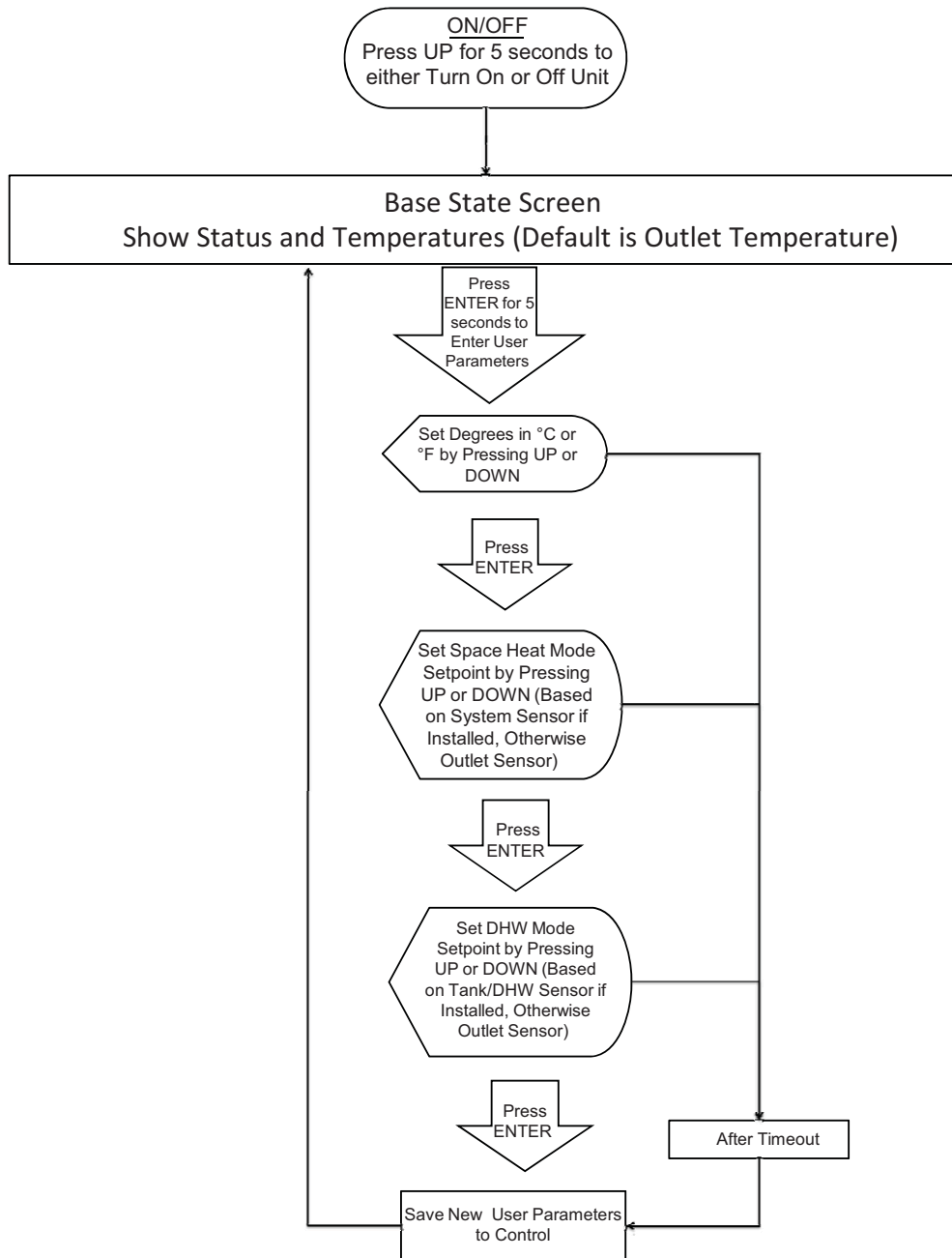
The reset curve looks at outdoor air temperature and automatically adjusts boiler water temperature in relation to heat demand based on the settings of P01 and P02 parameters.

### Outdoor air shutdown

Outdoor air shutdown specifies the outdoor air temperature at which there is no longer a space heating demand.

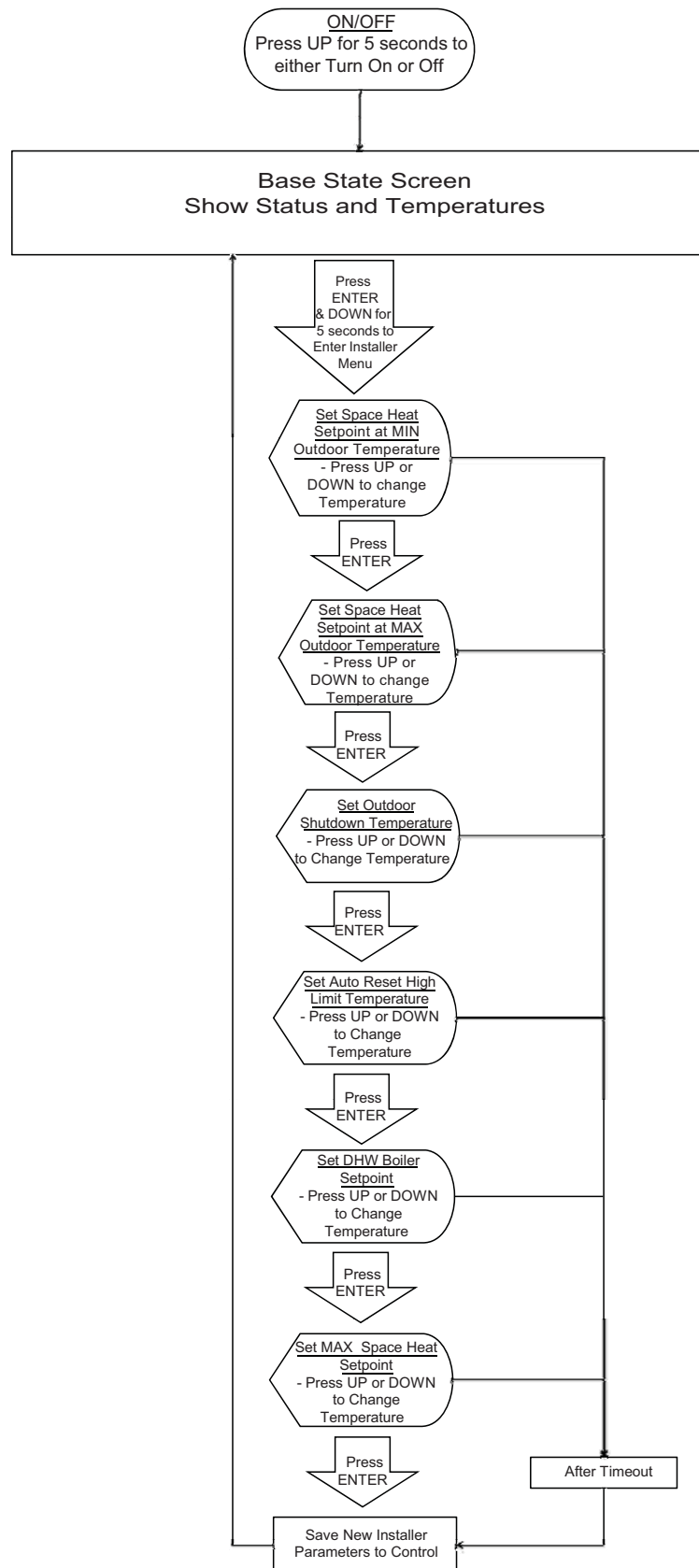
# 11 Operating information *(continued)*

## User programming sequence



# 11 Operating information

## Installer programming sequence



# 11 Operating information *(continued)*

## Parameter table

**Table 11-1** This table lists boiler control module parameters and where to access them

Code	Description	User Access		Installer Access	
		Display	Modify	Display	Modify
u01	Temperature Units (°C/°F)	Yes	Yes	No	No
u02	Set SH Set point Temperature	Yes	Yes	No	No
u03	Set DHW Tank Set point	Yes	Yes	No	No
P01	Set SH Set point at Minimum Outdoor Temperature	No	No	Yes	Yes
P02	Set SH Set point at Maximum Outdoor Temperature	No	No	Yes	Yes
P03	Set Outdoor Shutdown Temperature	No	No	Yes	Yes
P04	Change Auto Reset High Limit Temperature	No	No	Yes	Yes
P10	Change Boiler DHW Set point Temperature	No	No	Yes	Yes
P90	Change Maximum SH Set point Temperature	No	No	Yes	Yes

## Viewable and changeable control parameters

**CAUTION**

Before changing parameters, note the settings so that the unit can be returned to its original operating parameters.

### Temperature Units (°C/°F)

The control can be configured to display temperature in either °C or °F. This parameter can be changed by accessing parameter u01.

### Set Set point Temperature

The Space Heat Demand Temperature can be adjusted UP or DOWN by accessing parameter u02. This set point will limit the maximum temperature on the outdoor reset curve. The temperature range is 32°F to parameter P90.

### Set tank DHW Tank Set point (if tank sensor present)

The DHW Set point Temperature can be adjusted UP or DOWN by accessing parameter u03. Temperature range is 60°F to 185°F.

### Set SH Set point at Minimum Outdoor Temperature

When the outdoor air temperature drops to 25°F, the calculated set point will be at this setting (reference Table 11-3 on page 62). If the outdoor air temperature drops further, the set point will continue to increase above this setting. However, if SH set point is set lower than the calculated set point, the water temperature will be limited by the SH set point instead. This parameter can be changed by the installer by accessing the P01. Temperature range is 68°F to 250°F.

### Set SH Set point at Maximum Outdoor Temperature

When the outdoor air temperature rises to or above 70°F, the calculated set point will be at this setting. This parameter can be changed by the installer by accessing parameter P02. Temperature range is 68°F to parameter P90.

### Set Outdoor Shutdown Temperature

When the outdoor temperature rises above this point, the control will block all SH demands (DHW demands will still be active). These parameters can be changed by the installer by accessing parameter P03. Temperature range is 32°F to 104°F.

### Change Auto Reset High Limit Temperature

The Auto Reset High Limit Temperature can be adjusted UP or DOWN by accessing parameter P04. Temperature range is 32°F to 200°F.

### Change Boiler DHW Set point

The Boiler Tank Set point is the boiler set point for the indirect tank. It can be adjusted UP or DOWN by accessing parameter P10. Temperature range is 68°F to 190°F.

### Change Maximum SH Set point

The Maximum Space Heat Demand Set point Temperature can be adjusted UP or DOWN by accessing parameter P90. Temperature range is 32°F to 190°F.

# 11 Operating information

**Table 11-2** Lockout, Blocking and Notification Codes

Error Codes with Explanation	
<b>Lockout Codes</b>	
E00	Invalid Lockout
E01	Memory Lockout
E02	Fan Speed Fault
E04	Flow Switch Fault
E05	Flame Out of Sequence
E06	Auto Reset Hi Limit
E07	Air Pressure Switch
E08	Heat Exchanger Limit
E09	Auxiliary Limit
E11	No Flame Running
E12	No Flame Ignition
E13	Flue Temperature Limit
E15	Manual Reset Hi Limit
E18	Outlet Sensor Differential
E19	Flue Sensor Open/Short
E21	Outlet Sensor Open/Short
E22	Inlet Sensor Open
E23	Inlet Sensor Short
<b>Blocking Codes</b>	
b01	Setpoint Met
b02	Anticycling
b03	Outlet Temperature Too High
b04	Delta T Too High
b05	Flue Temperature Too High
b06	Low Voltage
<b>Notification Codes (Unit is still Running)</b>	
n01	Fan Limited due to No Flue Sensor Change
n02	Fan Limited due to High Outlet Temperature
n03	Fan Limited due to High Delta T
n04	Fan Limited due to High Flue Temperature
n05	Fan Increased due to Low Flame Current
n06	DHW Sensor Fault (Combi Only)
n07	Inlet Sensor Open
n08	Inlet Sensor Shorted
n09	Outdoor Sensor Required

## Access modes

### User

Press the ENTER button for 5 seconds.

### Installer

Most parameters are available only to the installer, accessible by entering the installer key combination: Press the ENTER and DOWN buttons simultaneously for 5 seconds.

Saving parameters (reference the Parameter Table on page 61 of this manual)

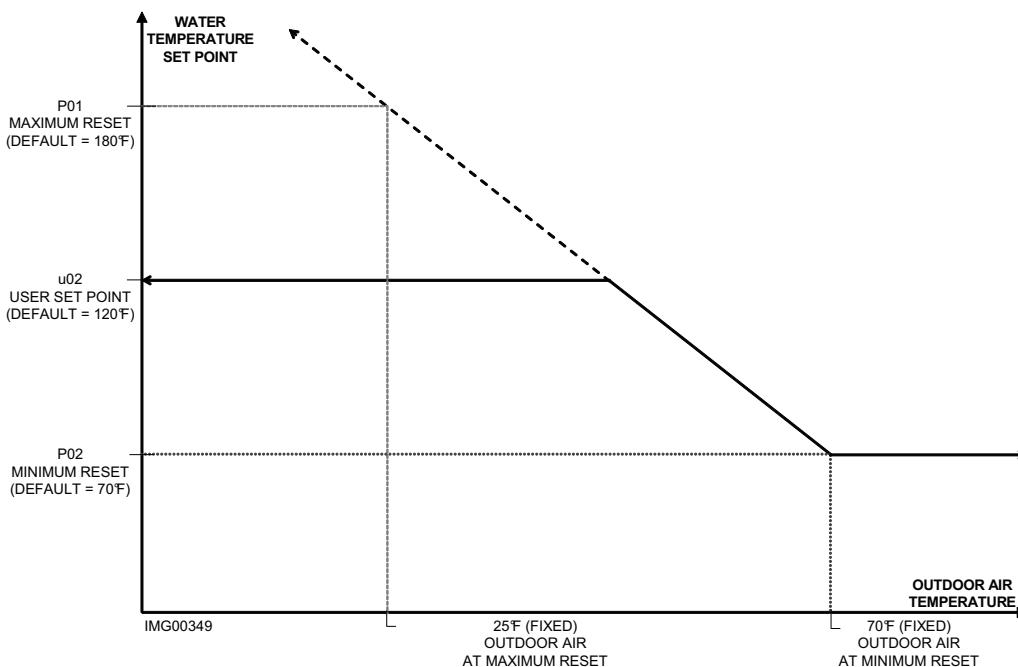
#### To save parameters and exit programming:

Press the ENTER button to go to the end of the Parameter List, then press ENTER again. Otherwise, the parameters will be saved automatically after Timeout.

#### To enter a parameter and continue programming:

Press the UP or DOWN button to change parameters. Press ENTER to move to the next parameter and to the end of the Parameter List. Press ENTER to save and return to the Base Screen. Otherwise, the parameters will be saved automatically after Timeout.

**Table 11-3** Outdoor Air Table

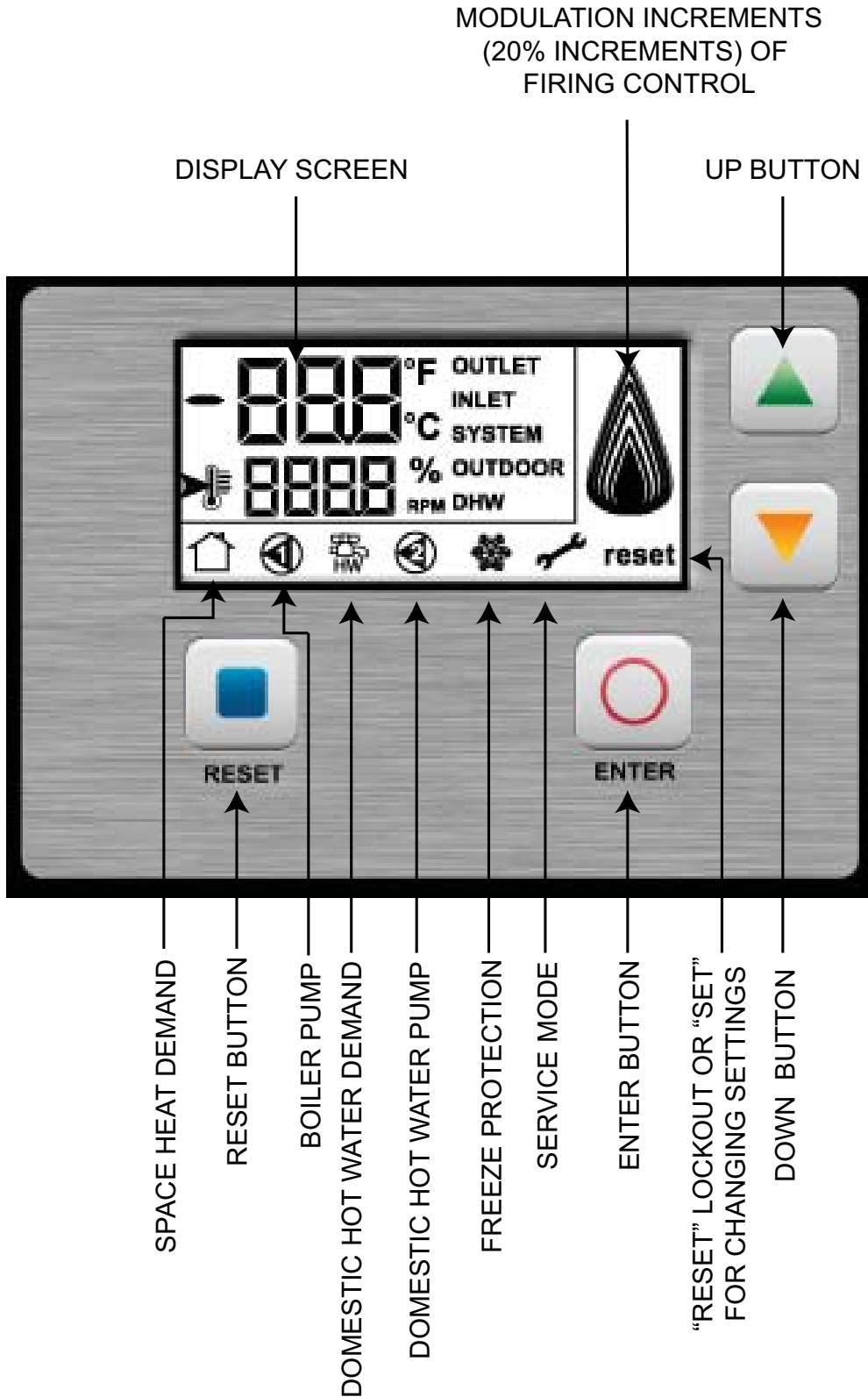


# 11 Operating information *(continued)*

## Cadet heating boiler control module

Use the control panel (FIG. 11-1) to set temperatures, operating conditions, and monitor boiler operation.

**Figure 11-1** Control Panel Indicators



# 12 Maintenance

## Maintenance and annual startup

Table 12A Service and Maintenance Schedules

Service technician (see the following pages for instructions)		Owner maintenance (see the Cadet Heating Boiler User's Information Manual for instructions)	
ANNUAL START-UP	<b>General:</b>	Daily	<ul style="list-style-type: none"> <li>• Check boiler area</li> <li>• Check pressure/temperature gauge</li> </ul>
	<ul style="list-style-type: none"> <li>• Address reported problems</li> <li>• Inspect interior; clean and vacuum if necessary;</li> <li>• Clean condensate trap</li> <li>• Check for leaks (water, gas, flue, condensate)</li> <li>• Verify flue and air lines in good condition and sealed tight</li> <li>• Check system water pressure/system piping/expansion tank</li> <li>• Check control settings</li> <li>• Check ignition and flame sense electrodes (sand off any deposits; clean and reposition)</li> <li>• Check wiring and connections</li> <li>• Perform start-up checkout and performance verification per Section 10 of this manual.</li> <li>• Flame inspection (stable, uniform)</li> <li>• Flame signal (at least 10 microamps at high fire)</li> <li>• Clean the heat exchanger if flue temperature is more than 54°F above return water temperature.</li> </ul>	Monthly	<ul style="list-style-type: none"> <li>• Check vent piping</li> <li>• Check air piping</li> <li>• Check air and vent termination screens</li> <li>• Check relief valve</li> <li>• Check condensate drain system</li> <li>• Check air vents</li> </ul>
	<p><b>If combustion or performance indicate need:</b></p> <ul style="list-style-type: none"> <li>• Clean heat exchanger</li> <li>• Remove the door and burner assembly.</li> </ul>	Periodically	<ul style="list-style-type: none"> <li>• Test low water cutoff (if used)</li> <li>• Reset button (low water cutoff)</li> </ul>
		Every 6 months	<ul style="list-style-type: none"> <li>• Check boiler piping (gas and water) for leaks</li> <li>• Operate relief valve</li> </ul>
		End of season months	<ul style="list-style-type: none"> <li>• Shut boiler down (unless boiler used for domestic hot water)</li> </ul>

## 12 Maintenance *(continued)*

**⚠ WARNING** Follow the Service and maintenance procedures given throughout this manual and in component literature shipped with the boiler. Failure to perform the service and maintenance could result in damage to the boiler or system. Failure to follow the directions in this manual and component literature could result in severe personal injury, death, or substantial property damage.

**⚠ WARNING** The boiler should be inspected annually only by a qualified service technician. In addition, the maintenance and care of the boiler designated in Table 12A and explained on the following pages must be performed to assure maximum boiler efficiency and reliability. Failure to service and maintain the boiler and system could result in equipment failure.

**⚠ WARNING** Electrical shock hazard – Turn off power to the boiler before any service operation on the boiler except as noted otherwise in this instruction manual. Failure to turn off electrical power could result in electrical shock, causing severe personal injury or death.

### Address reported problems

1. Inspect any problems reported by the owner and correct before proceeding.

### Inspect boiler area

1. Verify that boiler area is free of any combustible materials, gasoline and other flammable vapors and liquids.
2. Verify that air intake area is free of any of the contaminants listed in Section 1 of this manual. If any of these are present in the boiler intake air vicinity, they must be removed. If they cannot be removed, reinstall the air and vent lines per this manual.

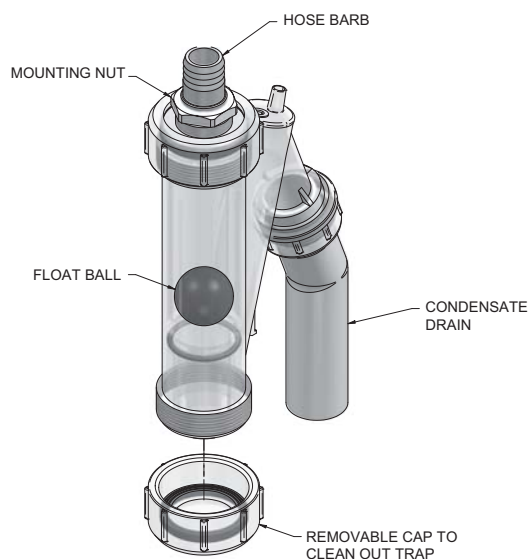
### Inspect boiler interior

1. Remove the front access cover and inspect the interior of the boiler.
2. Vacuum any sediment from inside the boiler and components. Remove any obstructions.

### Clean condensate trap

1. Remove the clean out cap on the bottom of the trap. Let the condensate and any debris drain out.
2. Replace the clean out cap and resume operation.

**Figure 12-1 Condensate Trap**



### Check all piping for leaks

**⚠ WARNING** Eliminate all system or boiler leaks. Continual fresh makeup water will reduce boiler life. Minerals can build up in tubes, reducing heat transfer, overheating heat exchanger, and causing heat exchanger failure. Leaking water may also cause severe property damage.

1. Inspect all water and gas piping and verify to be leak free.
2. Look for signs of leaking lines and correct any problems found.
3. Check gas line using the procedure found in Section 7 - Gas Connections.

### Flue vent system and air piping

1. Visually inspect the entire flue gas venting system and air piping for blockage, deterioration or leakage. Repair any joints that show signs of leakage. Verify that air inlet pipe is connected and properly sealed.
2. Verify that boiler vent discharge and air intake are clean and free of obstructions.

**⚠ WARNING** Failure to inspect for the above conditions and have them repaired can result in severe personal injury or death.

### Check water system

1. Verify all system components are correctly installed and operational.
2. Check the cold fill pressure for the system. Verify it is correct (must be a minimum of 12 psi).
3. Watch the system pressure as the boiler heats up (during testing) to ensure pressure does not rise too high. Excessive pressure rise indicates expansion tank sizing or performance problem.
4. Inspect air vents and air separators. Remove air vent caps and briefly press push valve to flush vent. Replace caps. Make sure vents do not leak. Replace any leaking vents.

# 12 Maintenance

## Check expansion tank

1. Expansion tanks provide space for water to move in and out as the heating system water expands due to temperature increase or contracts as the water cools. Tanks may be open, closed or diaphragm or bladder type. See Section 6 - Hydronic Piping for suggested best location of expansion tanks and air eliminators.

## Check boiler relief valve

1. Inspect the relief valve and lift the lever to verify flow. Before operating any relief valve, ensure that it is piped with its discharge in a safe area to avoid severe scald potential. Read Section 6 - Hydronic Piping before proceeding further.

**⚠ WARNING**

Following installation, the valve lever must be operated AT LEAST ONCE A YEAR to ensure that waterways are clear. Certain naturally occurring mineral deposits may adhere to the valve, rendering it inoperative. When manually operating the lever, water will discharge and precautions must be taken to avoid contact with hot water and to avoid water damage. Before operating lever, check to see that a discharge line is connected to this valve directing the flow of hot water from the valve to a proper place of disposal. Otherwise severe personal injury may result. If no water flows, valve is inoperative. Shut down the boiler until a new relief valve has been installed.

**⚠ WARNING**

Safety relief valves should be re-inspected AT LEAST ONCE EVERY THREE YEARS, by a licensed plumbing contractor or authorized inspection agency, to ensure that the product has not been affected by corrosive water conditions and to ensure that the valve and discharge line have not been altered or tampered with illegally. Certain naturally occurring conditions may corrode the valve or its components over time, rendering the valve inoperative. Such conditions are not detectable unless the valve and its components are physically removed and inspected. This inspection must only be conducted by a plumbing contractor or authorized inspection agency – not by the owner. Failure to re-inspect the boiler relief valve as directed could result in unsafe pressure buildup, which can result in severe personal injury, death, or substantial property damage.

2. After following the warning directions in this manual, if the relief valve weeps or will not seat properly, replace the relief valve. Ensure that the reason for relief valve weeping is the valve and not over-pressurization of the system due to expansion tank waterlogging or undersizing.

## Inspect ignition and flame sense electrodes

1. Remove the ignition and flame sense electrodes from the boiler heat exchanger access cover.
2. Remove any deposits accumulated on the ignition/flame sense electrode using sandpaper. If the electrodes cannot be cleaned satisfactorily, replace with new ones.
3. Replace ignition/flame sense electrode, making sure gasket is in good condition and correctly positioned.

## Check ignition ground wiring

1. Inspect boiler ground wire from the heat exchanger access cover to ground terminal strip.
2. Verify all wiring is in good condition and securely attached.
3. Check ground continuity of wiring using continuity meter.
4. Replace ground wires if ground continuity is not satisfactory.

## Check all boiler wiring

1. Inspect all boiler wiring, making sure wires are in good condition and securely attached.

## Check control settings

1. Set the boiler control module display to Parameter Mode and check all settings. Adjust settings if necessary. See Section 11 - Operating Information for adjustment procedures.
2. Check settings of external limit controls (if any) and adjust if necessary.

## Perform start-up and checks

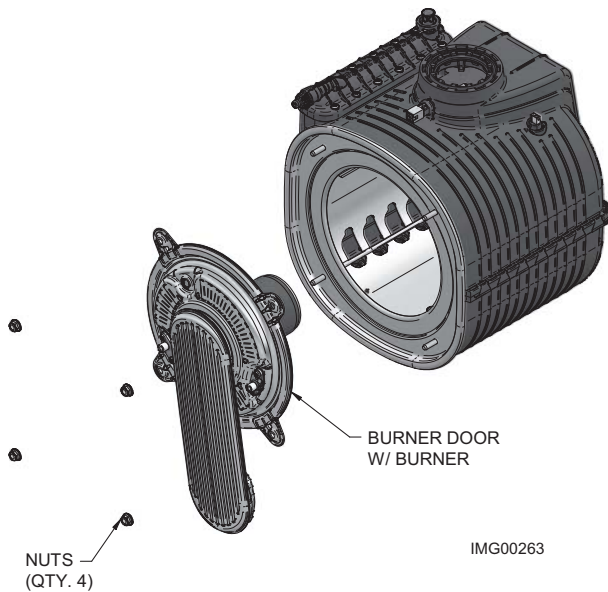
1. Start boiler and perform checks and tests specified in Section 10 - Start-up.
2. Verify cold fill pressure is correct and that operating pressure does not go too high.

## Check burner flame

1. Inspect flame through observation window.
2. If the flame is unsatisfactory at either high fire or low fire, turn off boiler and allow boiler to cool down. Remove the burner/door assembly and clean it thoroughly using a vacuum cleaner or compressed air through the gas/air arm opening. Do not use compressed air to clean burner if performed inside a building.
3. Remove the bolts securing the fan to the heat exchanger access cover. Remove the fan, allowing access to the burner door assembly.
4. Remove the burner door assembly, reference FIG. 12-2 (page 67).
5. When replacing the burner door assembly, ensure burner door assembly gaskets are in good condition (FIG. 12-2).

# 12 Maintenance *(continued)*

**Figure 12-2** Burner Assembly



## Check flame signal

1. At high fire the flame signal shown on the display should be at least 10 microamps.
2. A lower flame signal may indicate a fouled or damaged flame sense electrode. If cleaning the flame sense electrode does not improve, ground wiring is in good condition, and ground continuity is satisfactory, replace the flame sense electrode.
3. See Section 13 - Troubleshooting for other procedures to deal with low flame signal.

## Review with owner

1. Review the Cadet Heating Boiler User's Information Manual with the owner.
2. Emphasize the need to perform the maintenance schedule specified in the Cadet Heating Boiler User's Information Manual (and in this manual as well).
3. Remind the owner of the need to call a licensed contractor should the boiler or system exhibit any unusual behavior.
4. Remind the owner to follow the proper shutdown procedure and to schedule an annual start-up at the beginning of the next heating season.

## Handling ceramic fiber materials

### REMOVAL OF COMBUSTION CHAMBER LINING

#### **WARNING**

The combustion chamber insulation in this appliance contains ceramic fiber material. Ceramic fibers can be converted

to cristobalite in very high temperature applications. The International Agency for Research on Cancer (IARC) has concluded, "Crystalline silica inhaled in the form of quartz or cristobalite from occupational sources is carcinogenic to humans (Group 1)." Normal operating temperatures in this appliance are below the level to convert ceramic fibers to cristobalite. Abnormal operating conditions would have to be created to convert the ceramic fibers in this appliance to cristobalite.

The ceramic fiber material used in this appliance is an irritant; when handling or replacing the ceramic materials it is advisable that the installer follow these safety guidelines.

#### ■ Avoid breathing dust and contact with skin and eyes.

- Use NIOSH certified dust respirator (N95). This type of respirator is based on the OSHA requirements for cristobalite at the time this document was written. Other types of respirators may be needed depending on the job site conditions. Current NIOSH recommendations can be found on the NIOSH website at <http://www.cdc.gov/niosh/homepage.html>. NIOSH approved respirators, manufacturers, and phone numbers are also listed on this website.

- Wear long-sleeved, loose fitting clothing, gloves, and eye protection.

#### ■ Apply enough water to the combustion chamber lining to prevent airborne dust.

#### ■ Remove the combustion chamber lining from the appliance and place it in a plastic bag for disposal.

#### ■ Wash potentially contaminated clothes separately from other clothing. Rinse clothes washer thoroughly.

### NIOSH stated First Aid.

- Eye: Irrigate immediately.
- Breathing: Fresh air.

# 12 Maintenance

## Cleaning boiler heat exchanger

For recommended materials; including brush, appropriate extension(s), refractory cover, and detailed instructions see Table 12B - Heat Exchanger Cleaning Kits.

- Shut down boiler:
  - Follow the “To Turn Off Gas to Appliance” instructions for the boiler in Section 10 - Startup.
  - Do not drain the boiler unless it will be exposed to freezing temperatures. If using freeze prevention fluid in system, do not drain.
- Allow time for the boiler to cool to room temperature if it has been firing.
- Remove the bolts securing the fan to the heat exchanger access cover. Remove the fan.
- Remove the nuts securing the heat exchanger access cover to the heat exchanger and set aside.
- Remove the heat exchanger access cover, burner, and gas/air arm assembly.

**WARNING** The boiler contains ceramic fiber materials. Use care when handling these materials per instructions on page 67. Failure to comply could result in severe personal injury.

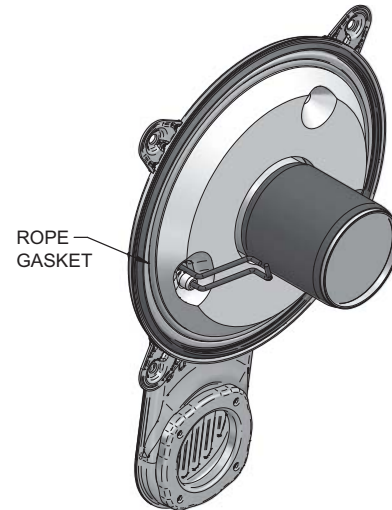
- Remove the condensate hose from the heat exchanger end. Connect a field supplied 3/4" diameter hose to a drain pan. Using field supplied means, cover the refractory in the back of the combustion chamber of the heat exchanger.
- Use a vacuum cleaner to remove any accumulation on the boiler heating surfaces. Do not use any solvent.
- Brush the heat exchanger while dry using a nylon bristle brush. **Caution:** DO NOT use a metal brush. Re-vacuum the heat exchanger.
- Finish cleaning using a clean cloth dampened with warm water. Rinse out debris with a low pressure water supply.
- Allow the heat exchanger to thoroughly dry.
- Remove the field supplied rear refractory cover from the back of the combustion chamber of the heat exchanger and reassemble.
- Close isolation valves on piping to isolate boiler from system. Attach a hose to the boiler drain and flush boiler thoroughly with clean water by using purging valves to allow water to flow through the water make-up line to the boiler.
- Perform start-up and check-out procedures in the Check Flame and Combustion - Section 10 - Startup on pages 54 and 56 of this manual.
- Reassemble the unit and restore boiler to operation.

**Table 12B** Heat Exchanger Cleaning Kit

Model	Kit Number	Part Number	Component Description
40 - 100	KIT30062	CTN20005	Rear Refractory Cover
		MSC20083*	Nylon 4" Wheel Brush*
		MSC20085	1/4" x 12" Drill Extension
120	KIT30063	CTN20005	Rear Refractory Cover
		MSC20083*	Nylon 4" Wheel Brush*
		MSC20084	3mm Allen Wrench
		MSC20086	1/4" x 24" Drill Extension

**CAUTION** \* Do NOT use a metal brush. Only use the kit provided brush or an equivalent replacement nylon brush.

**Figure 12-3** Rope Gasket - Heat Exchanger Door



IMG00264

**NOTICE** Rope gasket is intended for sealing combustion (FIG. 12-3). If damaged DO NOT reuse, the heat exchanger door must be replaced. Consult factory for replacement heat exchanger door (kits WTR30015 - WTR30018).

## Oiled bearing circulators

- Check other circulators in the system. Oil any circulators requiring oil, following circulator manufacturer's instructions. Over-oiling will damage the circulator.
- Replace the boiler front access cover.

# 12 Maintenance *(continued)*

## Test low water flow conditions

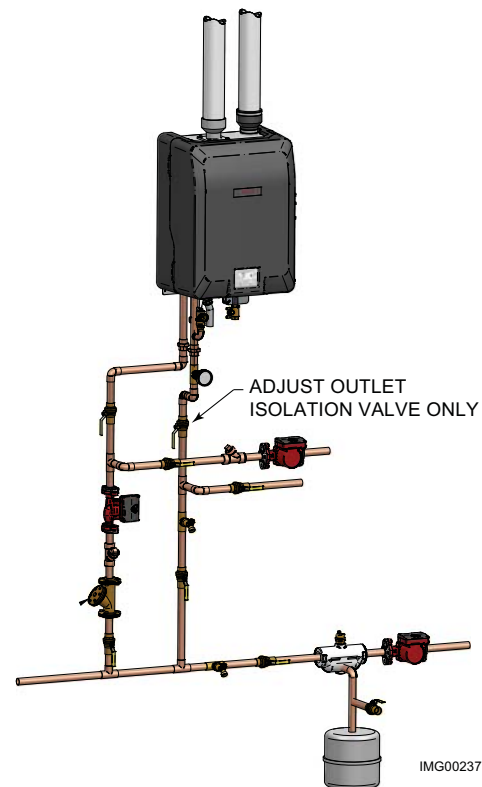
**NOTICE**

This test is to be carried out once the Cadet boiler is completely piped in with adequate gas and water flow. Once the test is completed, ensure that the isolation valve is opened up to allow full water flow.

### Test procedure

1. Place the boiler into the active position by pressing the UP button for five (5) seconds (see page 63).
2. Hold the ENTER key plus the UP button for five (5) seconds to enter Service Mode, allowing the unit to fire up to 100% modulation.
3. Allow the unit to progress through its normal diagnostics and pre-purge programming.
4. Allow the unit to fire and operate until the temperatures stabilize. This occurs when the inlet and outlet temperatures are rising together and the Delta T ( $\Delta T$ ) is maintained.
5. When the unit stabilizes, begin to slowly shut off the isolation valve on the outlet piping of the boiler (see FIG. 12-4). This will begin to restrict the flow and simulate a low flow condition.
6. While slowly shutting off the isolation valve, refer to the Status Screen to watch the behavior of the boiler. This screen allows you to monitor the inlet temperature, outlet temperature, and  $\Delta T$ .
7. When the  $\Delta T$  reaches 55°F, the control will attempt to modulate the firing rate down to protect it from low flow conditions.
8. When the  $\Delta T$  reaches 60°F, the control module will turn off the burner. If the control module shuts down, the test was successful.
9. Completely open the isolation valve on the outlet piping of the boiler.
10. Resume operation.

**Figure 12-4** Adjust outlet isolation valve



# 13 Troubleshooting

**⚠ WARNING** Label all wires prior to disconnection when servicing controls. Wiring errors can cause improper and dangerous operation. Always disconnect power to the boiler before servicing. Failure to comply could result in severe personal injury, death, or substantial property damage.

**⚠ WARNING** Never jumper (bypass) any device except for momentary testing as outlined in the Troubleshooting chart. Severe personal injury, death, or substantial property damage can result.

## Before troubleshooting:

- Have the following items:
  - Voltmeter that can check 120 vac, 24 vac, and 12 vdc.
  - Continuity checker.
  - Contact thermometer.
- Check for 120 vac (minimum 102 vac to maximum 132 vac) to boiler.
- Make sure thermostat is calling for heat and contacts (including appropriate zone controls) are closed. Check for 24 vac between thermostat wire nuts and ground.
- Make sure all external limit controls are installed and operating.

## Check the following:

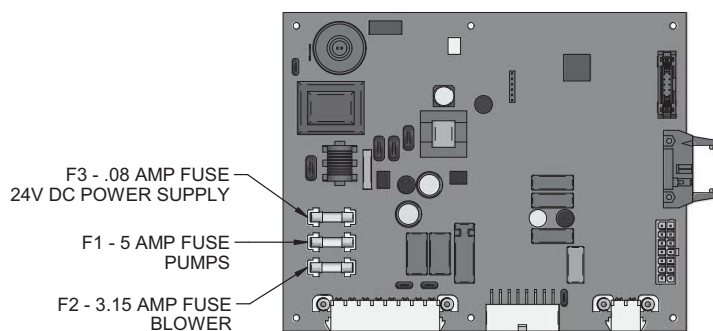
- Wire connectors to control module are securely plugged in at the module and originating control.
- Gas pressures:
  - Maximum: 14 inches w.c. (natural and LP) with no flow (lockup) or with boiler on
  - Minimum: 4 inches w.c. (natural), 8 inches w.c. (LP) with gas flowing (verify during boiler startup)

## Check control module fuses

**NOTICE** ALWAYS check control module fuses before replacing control module or any major components (blower, etc.). If one of these fuses is blown, it can prevent the control module or other components from operating.

- Turn OFF the power to the boiler at the external line switch.
- Remove front door/cover.
- Remove the control module cover.
- Inspect fuses F1, F2, and F3, see FIG 13-1 below.

**Figure 13-1** Control Module Fuses



IMG00260

- The boiler is shipped with three (3) spare fuses in a plastic bag provided with the unit.
- If necessary, replace open fuse (F3 is .80 amps, F2 is 3.15 amps, and F1 is 5 amps).

**Note:** Fuses F1, F2 and F3 are all slow blow fuses.

**⚠ WARNING** Do not jumper fuse or replace with any fuse except as specified. Failure to comply could result in severe personal injury, death, or substantial property damage.

- Install control module cover and front door/cover after fuse inspection.
- Restore power to the boiler at the external line switch and verify boiler operation (Section 10 - Start-up) after completing boiler service.

# 13 Troubleshooting *(continued)*

**Table 13-1** Troubleshooting Chart - No Display

FAULT	CAUSE	CORRECTIVE ACTION
No Display	- No 120 vac supplied to unit.	<ul style="list-style-type: none"> <li>• Check external line switch, fuse, or breaker.</li> <li>• Check wiring harness connection between display board and main control board. Connect harness at both points.</li> </ul>
	- Bad display board.	<ul style="list-style-type: none"> <li>• Replace board.</li> </ul>
	- Bad main control board.	<ul style="list-style-type: none"> <li>• Replace the main control board.</li> </ul>
	- Blown fuse.	<ul style="list-style-type: none"> <li>• Replace fuse F3 on the main control board, see page 70 of this manual.</li> </ul>
No Burner Operation	- Main control board temperature set point satisfied.	<ul style="list-style-type: none"> <li>• Review temperature setting.</li> </ul>
	- Remote thermostat satisfied.	<ul style="list-style-type: none"> <li>• Review remote thermostat setting.</li> </ul>
	- Outside air temperature above Warm Weather Shutdown (WWSD) set point for main control board.	<ul style="list-style-type: none"> <li>• Check location of outside air sensor. Check resistance of outdoor air sensor and compare to Table 13-2B on page 72 of this manual.</li> </ul>
	- Unit locked out on fault.	<ul style="list-style-type: none"> <li>• Consult display for specific fault. Refer to fault descriptions on page 74 of this manual for corrective actions.</li> </ul>
Unit Does Not Modulate Above 50%	- Flue sensor open.	<ul style="list-style-type: none"> <li>• Verify that the flue sensor is located in the flue outlet.</li> </ul>
		<ul style="list-style-type: none"> <li>• Check wiring connections at the flue sensor.</li> </ul>
		<ul style="list-style-type: none"> <li>• Check the resistance of the flue sensor and compare to Table 13-2D on page 72 of this manual.</li> </ul>

# 13 Troubleshooting

## Checking temperature sensors

The boiler temperature sensors (inlet water, outlet water, system water, flue, and outdoor air) are all resistance type devices. The following tables show the correct values for the sensors at various temperatures. Use an ohmmeter to read the resistance of the sensor at a known temperature. If the resistance of the sensor does not closely match its corresponding table, replace the sensor

It is important to note that the flue and outlet water sensors have two temperature sensing devices in one housing. These devices are designated as S1a/S1b, outlet sensor and S3a/S3b, flue sensor. Please reference the wiring diagram in Section 15 of this manual for correct terminal location.

**Table 13-2A - Inlet Water/System/DHW Sensor Resistance vs. Temperature**

Temperature	Resistance	Temperature	Resistance
50	18,780	158	1,990
68	12,263	176	1,458
86	8,194	194	1,084
104	5,592	212	817
122	3,893		
140	2,760		

**Table 13-2B - Outdoor Air Sensor Resistance vs. Temperature**

Temperature	Resistance	Temperature	Resistance
-50	490,813	20	46,218
-40	336,606	30	34,558
-30	234,196	40	26,099
-20	165,180	50	19,900
10	118,018	60	15,311
0	85,362	70	11,883
10	62,465	80	9,299

**Table 13-2C - Outlet Water Sensor Resistance vs. Temperature**

S1a (Wire Color - R/BK and Y)				S1b (Wire Color - G and Y)			
Temperature	Resistance	Temperature	Resistance	Temperature	Resistance	Temperature	Resistance
50	19,553	158	2,004	50	40,030	158	3,478
68	12,690	176	1,464	68	25,030	176	2,492
86	8,406	194	1,084	86	16,090	194	1,816
104	5,715	212	816	104	10,610	212	1,344
122	3,958			122	7,166		
140	2,786			140	4,943		

**Table 13-2D - Flue Sensor Resistance vs. Temperature**

S3a (Wire Color - W/B and Y)				S3b (Wire Color - PR and Y)			
Temperature	Resistance	Temperature	Resistance	Temperature	Resistance	Temperature	Resistance
50	40,030	158	3,478	50	258,500	158	16,870
68	25,030	176	2,492	68	125,500	176	12,000
86	16,090	194	1,816	86	80,220	194	8,674
104	10,610	212	1,344	104	52,590	212	6,369
122	7,166			122	35,270		
140	4,943			140	24,160		

# 13 Troubleshooting *(continued)*

**Table 13-3** Troubleshooting Chart - Noisy System

FAULT	CAUSE	CORRECTIVE ACTION
Noisy Operation	- Supply gas problem. Natural gas pressures should be between 4 inches w.c. and 14 inches w.c. LP gas pressures should be between 8 inches w.c. and 14 inches w.c.	• Refer to Section 7 - Gas Connections for detailed information concerning the gas supply.
	- Gas/air mixture problem.	• Refer to the Gas Valve Adjustment Procedure on page 80 of this manual for the proper gas valve setting. Verify that the vent/air intake lengths do not exceed the maximum listed in Section 3 - General Venting.
	- Dirty/damaged burner.	• Refer to page 66 in this manual for the burner removal and inspection procedure. Clean or replace the burner door assembly as necessary.
	- Low water flow through the heat exchanger.	• Refer to Section 6 - Hydronic Piping for minimum flow rates. Verify that the boiler is piped in a primary/secondary fashion and that the boiler and pump is running on a call for heat.
	- Air in the piping system.	• Properly purge all air from the piping system.
	- Low system water pressure.	• Verify system pressure is a minimum of 12 psi.
No Pump Operation - Boiler Pump or DHW Pump	- Blown fuse.	• Replace fuse F1 on the control board, see page 70 of this manual.  <b>Note:</b> Make sure pump amperage does not exceed 1.8 amps.
	- Faulty pump.	• Replace pump.
	- Internal fault on control board.	• Replace main control board.
Relief Valve Opening	- System pressure exceeds relief valve setting.	• Lower the system pressure below the 30 psi rating of the supplied relief valve or replace the standard relief valve with a higher rated valve up to the maximum pressure of the heat exchanger.  • Improperly sized expansion tank.

# 13 Troubleshooting

**Table 13-4** Troubleshooting Chart - Fault Messages Displayed on Boiler Interface

ERROR CODE	DESCRIPTION	CORRECTIVE ACTION
E00	Invalid lockout code.	<ul style="list-style-type: none"> <li>• Reset control module.</li> <li>• Switch power OFF and ON.</li> <li>• Replace control module.</li> </ul>
E01	The control module has detected parameter settings that are corrupted.	<ul style="list-style-type: none"> <li>• Replace control module.</li> </ul>
E02 (will require a manual reset once the condition has been corrected. Press the RESET button on the display to reset.)	The actual fan RPM is more than 30% above or below the fan speed RPM target.	<ul style="list-style-type: none"> <li>• Vent/air intake lengths exceed the maximum allowed lengths. Refer to Section 3 - General Venting for proper lengths.</li> <li>• Check for obstruction or blockage in the vent/air intake pipes or at terminations.</li> <li>• Check the wiring connections at the fan and at the main control board.</li> <li>• Replace the fan.</li> <li>• Replace the main control board.</li> </ul>
	Blown fuse.	<ul style="list-style-type: none"> <li>• Replace fuse F2 on the control board, see page 70 of this manual.</li> </ul>
E04 (will require a manual reset once condition has been corrected. Press the RESET button on the display to reset.)	Either the optional flow switch or the optional low water cutoff is not making.	<ul style="list-style-type: none"> <li>• Check boiler pump operation on a call for heat.</li> <li>• Check for closed valves or obstructions in the boiler piping.</li> <li>• Verify system is full of water and all air has been purged from the system.</li> <li>• Check for loose or misplaced jumpers if flow switch or LWCO is not installed.</li> </ul>
	Blown fuse.	<ul style="list-style-type: none"> <li>• Replace fuse F3 on the control board, see page 70 of this manual.</li> </ul>
E05 (will require a manual reset once the condition has been corrected. Press the RESET button on the display to reset.)	The flame detector circuit is seeing a flame signal when the gas valve is closed.	<ul style="list-style-type: none"> <li>• Verify flame is not present. If present, turn off gas supply and replace gas valve.</li> <li>• Check supply voltage for proper polarity.</li> <li>• Check external wiring for voltage feedback.</li> <li>• Check the flame rod and make sure it is clean.</li> <li>• Check the internal wiring for bad connections.</li> <li>• Replace main control board.</li> </ul>

# 13 Troubleshooting *(continued)*

**Table 13-4** (continued from previous page) *Troubleshooting Chart - Fault Messages Displayed on Boiler Interface*

ERROR CODE	DESCRIPTION	CORRECTIVE ACTION
E06	The outlet water temperature has exceeded the setting of the automatic reset high limit.	<ul style="list-style-type: none"> <li>• Adjust the set point of the auto reset limit to a higher setting up to a maximum of 200°F. Reference Section 11 - Operating Information for adjusting procedures.</li> <li>• Verify that the system is full of water and that all air has been properly purged from the system.</li> <li>• Verify that the boiler is piped properly into the heating system. Refer to Section 6 - Hydronic Piping for the proper piping methods for the Cadet boiler.</li> <li>• Check 120 vac to boiler pump motor on a call for heat. If voltage is not present, check wiring back to the main control board.</li> <li>• Replace the main control board if necessary.</li> <li>• If 120 vac is present on a call for heat and the boiler pump is not operating, replace the pump.</li> <li>• If operating on something other than an outlet sensor, check temperature setting of the main control board.</li> <li>• If the optional manual reset high limit has tripped, check setting of the device.</li> <li>• Check resistance of water sensors and compare to Table 13-2A on page 72 of this manual. Replace sensor if necessary.</li> </ul>
E07 (will require a manual reset once the condition has been corrected. Press the RESET button on the display to reset.)	Air pressure switch contacts are open.	<ul style="list-style-type: none"> <li>• Check the wiring connections to switch. Wires should be connected to the common and normally closed terminals.</li> <li>• Air intake lengths exceed the maximum allowed lengths. Refer to Section 3 - General Venting for proper lengths.</li> <li>• Check for obstruction or blockage in the air intake pipes or at terminations.</li> <li>• Check reference hoses connected to the air pressure switch for blockage or obstruction.</li> <li>• Inspect the burner. Reference page 66 of this manual for removal and cleaning procedures. Replace if necessary.</li> <li>• Inspect the heat exchanger. Reference page 68 of this manual for removal and cleaning procedures.</li> <li>• Faulty air pressure switch. Replace switch.</li> </ul>
E08	Thermal fuse on heat exchanger has opened.	<ul style="list-style-type: none"> <li>• Check the wiring connections to the fuse on the heat exchanger.</li> <li>• Check continuity across the thermal fuse. If open, replace heat exchanger.</li> </ul>
E09	Aux limit device open.	<ul style="list-style-type: none"> <li>• Check wiring to aux limit device.</li> <li>• Check aux limit device.</li> </ul>

# 13 Troubleshooting

**Table 13-4** (continued from previous page) *Troubleshooting Chart - Fault Messages Displayed on Boiler Interface*

ERROR CODE	DESCRIPTION	CORRECTIVE ACTION
<p>E11 (will require a manual reset once the condition has been corrected. Press the RESET button on the display to reset.)</p>	<p>The unit has lost flame signal four (4) times during a call for heat.</p>	<ul style="list-style-type: none"> <li>• Inspect spark electrode and associated wiring for damage and connection. Reference page 66 of this manual for removal and cleaning procedures. Replace if necessary.</li> <li>• Check for proper electrical grounding of the unit.</li> <li>• Check incoming supply gas pressure. Natural gas pressures should be between 4 - 14 inches w.c. and LP gas pressures should be between 8 - 14 inches w.c. Refer to Section 7 - Gas Connections for detailed information concerning the gas supply.</li> <li>• Verify that the plastic hose from the gas valve to the air inlet is connected and is not damaged.</li> <li>• Verify that the vent/air intake pipes are correctly installed and that there are no obstructions.</li> <li>• Check for 24 vac to the gas valve at the 2-pin connection on the side of the main control board during the ignition attempt. If no voltage is present, replace the main control board.</li> <li>• If 24 vac is present at the main control board, check the wiring between the main control board and the gas valve. Replace the wiring if necessary. Do not disconnect the wiring from the gas valve and attempt to measure voltage at that point. The main control board can detect if the gas valve is not connected and will display the Gas Valve or Gas Valve Fail fault.</li> </ul>
<p>E12 (will require a manual reset once the condition has been corrected. Press the RESET button on the display to reset.)</p>	<p>The unit has failed to prove main burner ignition after four (4) attempts.</p>	<ul style="list-style-type: none"> <li>• If 24 vac is present, check the outlet of the valve to ensure the valve is flowing gas. With a manometer connected to the outlet tap of the gas valve, when the unit is in the prepurge period, there should be a negative pressure present. When the valve is energized a change in pressure should occur. If the pressure change does not occur, the gas valve is not opening. Replace the gas valve.</li> <li>• Inspect flame sensor and associated wiring. Reference page 66 of this manual for removal and cleaning procedures. Replace if necessary.</li> <li>• Inspect and clean the heat exchanger as necessary. Reference page 68 of this manual for cleaning procedures.</li> </ul>
<p>n05</p>	<p>The fan speed is being increased due to the flame current going below 5 microamps.</p>	<ul style="list-style-type: none"> <li>• Inspect the burner. Reference page 66 of this manual for removal and cleaning procedures. Replace if necessary.</li> <li>• Replace the main control board.</li> </ul>

# 13 Troubleshooting *(continued)*

**Table 13-4** (continued from previous page) *Troubleshooting Chart - Fault Messages Displayed on Boiler Interface*

ERROR CODE	DESCRIPTION	CORRECTIVE ACTION
E13	The flue temperature has exceeded 250°F.	<ul style="list-style-type: none"> <li>Inspect the heat exchanger. Reference page 68 of this manual for the procedure on how to clean the flue side of the heat exchanger.</li> </ul>
b05	The flue temperature has exceeded 240°F.	<ul style="list-style-type: none"> <li>Inspect the flue sensor and associated wiring. Measure the resistance of the flue sensor and compare to Table 13-2D on page 72 of this manual. Replace the sensor if necessary.</li> </ul>
n04	The fan speed is being limited due to the flue temperature exceeding 215°F.	<ul style="list-style-type: none"> <li>Verify that the vent/air intake pipes are properly installed and that there are no obstructions.</li> <li>Replace the main control board.</li> </ul>
E15 (will require a manual reset once the condition has been corrected. Press the RESET button on the display to reset.)	The outlet water temperature has exceeded the 210°F manual reset high limit (MRHL) setting.	<ul style="list-style-type: none"> <li>Verify that the system is full of water and that all air has been properly purged from the system.</li> <li>Verify that the boiler is piped properly into the heating system. Refer to Section 6 - Hydronic Piping for the proper piping methods for the Cadet boiler.</li> <li>Check 120 vac to boiler pump motor on a call for heat. If voltage is not present, check wiring back to the main control board.</li> <li>Replace the main control board if necessary.</li> <li>If 120 vac is present on a call for heat and the boiler pump is not operating, replace the pump.</li> <li>If operating on something other than an outlet sensor, check temperature setting of the main control board.</li> <li>Check resistance of water sensors and compare to Table 13-2A on page 72 of this manual. Replace sensor if necessary.</li> </ul>
b03	The outlet water temperature has exceeded 195°F.	
n02	The fan speed is being limited due to the outlet temperature exceeding 185°F.	
E18 (will require a manual reset once the condition has been corrected. Press the RESET button on the display to reset.)	The control module reads an excessive temperature difference between the two outlet sensors.	<ul style="list-style-type: none"> <li>Check wiring to sensor. Make sure wiring is connected and not damaged. Reconnect / repair wiring if necessary.</li> <li>Measure the resistance of the sensor and compare to the resistance in Table 13-2C on page 72 of this manual. Replace sensor if necessary.</li> <li>Replace control module.</li> </ul>
E19 (will require a manual reset once the condition has been corrected. Press the RESET button on the display to reset.)	One or both of the flue sensors is open or shorted.	<ul style="list-style-type: none"> <li>Inspect the flue sensor and associated wiring. Measure the resistance of the flue sensor and compare to Table 13-2D on page 72 of this manual. Replace the sensor if necessary.</li> <li>Replace the main control board.</li> </ul>

# 13 Troubleshooting

**Table 13-4** (continued from previous page) *Troubleshooting Chart - Fault Messages Displayed on Boiler Interface*

ERROR CODE	DESCRIPTION	CORRECTIVE ACTION
E21 (will require a manual reset once the condition has been corrected. Press the RESET button on the display to reset.)	One or both of the outlet sensors has opened or shorted.	<ul style="list-style-type: none"> <li>• Check the sensor and its associated wiring. Repair or replace the sensor or wiring if damaged.</li> <li>• Measure the resistances of the sensors and compare the resistances to the tables on page 72. Replace if necessary.</li> </ul>
E22 (will require a manual reset once the condition has been corrected. Press the RESET button on the display to reset.)	The inlet sensor is open.	<ul style="list-style-type: none"> <li>• Check the sensor and its associated wiring. Repair or replace the sensor or wiring if damaged.</li> </ul>
E23 (will require a manual reset once the condition has been corrected. Press the RESET button on the display to reset.)	The inlet sensor is shorted.	
b01	The temperature has reached the set point + 10°F.	<ul style="list-style-type: none"> <li>• None</li> </ul>
b02	The main control board has received a call for heat too quickly after the previous call for heat has ended.	<ul style="list-style-type: none"> <li>• The control board will release the call for heat after 60 seconds.</li> <li>• The control board will release the call for heat if the outlet temperature drops 10°F.</li> </ul>
b04	The temperature rise across the heat exchanger has exceeded 60°F.	<ul style="list-style-type: none"> <li>• Verify that the system is full of water and that all air has been properly purged from the system.</li> <li>• Verify that the boiler is piped properly into the heating system. Refer to Section 6 - Hydronic Piping for the proper piping methods for the Cadet boiler.</li> <li>• Check for 120 vac to the boiler pump motor on a call for heat. If voltage is not present, check the wiring back to the main control board. Replace the main control board if necessary.</li> <li>• If 120 vac is present on a call for heat and the boiler pump is not operating, replace the pump.</li> </ul>
n03	The fan speed is being limited due to the temperature rise across the heat exchanger exceeding 55°F.	

# 13 Troubleshooting *(continued)*

**Table 13-4** *(continued from previous page) Troubleshooting Chart - Fault Messages Displayed on Boiler Interface*

ERROR CODE	DESCRIPTION	CORRECTIVE ACTION
b06	120 vac input to the main control board has dropped below 80 vac.	<ul style="list-style-type: none"> <li>• Check 120 vac supply to the transformer.</li> <li>• Check wiring connections at the low voltage terminal strip.</li> <li>• Check the wire size/length to remote devices.</li> <li>• Replace the transformer.</li> <li>• Check 24V.</li> </ul>
n01	The flue temperature did not change after the burner started firing.	<ul style="list-style-type: none"> <li>• Verify that the flue sensor is installed.</li> <li>• Check the sensor and its associated wiring. Repair or replace the sensor or wiring if damaged.</li> </ul>
n06	DHW sensor is not connected (combi only).	<ul style="list-style-type: none"> <li>• Check the DHW sensor and its associated wiring. Repair or replace as needed.</li> </ul>
n07	The inlet sensor has been disconnected.	<ul style="list-style-type: none"> <li>• Check the sensors and their associated wiring. Repair or replace the sensor or wiring if damaged.</li> <li>• Measure the resistance of the sensors and compare the resistance to the tables on page 72 of this manual.</li> <li>• Replace the sensor if necessary.</li> </ul>
n08	The inlet sensor has been shorted.	<ul style="list-style-type: none"> <li>• Check the sensors and their associated wiring. Repair or replace the sensor or wiring if damaged.</li> <li>• Measure the resistance of the sensors and compare the resistance to the tables on page 72 of this manual.</li> <li>• Replace the sensor if necessary.</li> </ul>
n09	The outdoor sensor has opened or shorted.	<ul style="list-style-type: none"> <li>• Check the sensors and their associated wiring. Repair or replace the sensor or wiring if damaged.</li> <li>• Measure the resistance of the sensors and compare the resistance to the tables on page 72 of this manual.</li> <li>• Replace the sensor if necessary.</li> </ul>

# 13 Troubleshooting

## Combustion Analysis Procedure

1. Turn the main power off to the boiler.
2. Remove the flue temperature sensor from the flue pipe connection. **Note:** Combustion measurements will be made at this point.
3. Insert the probe from a combustion analyzer into the hole left by the removal of the flue temperature sensor.
4. Turn the main power on to the boiler.
5. Place the boiler into the active position by pressing the UP button for five (5) seconds (see page 63).
6. Hold the ENTER key plus the UP button for five (5) seconds to enter Service Mode.
7. Once the boiler has modulated up to full fire, measure the combustion. The values should be in the range listed in Table 13-5. The CO levels should be less than 150 ppm for a properly installed unit.

If the combustion is not within the specified range, reference Table 13-6 for possible causes and corrective actions.

**Table 13-5 Flue Products**

Natural Gas		Propane	
CO <sub>2</sub>	O <sub>2</sub>	CO <sub>2</sub>	O <sub>2</sub>
8.0% - 10%	3.0% - 6.5%	10.0% - 11%	4.1% - 5.4%

8. Once the combustion analysis is complete, test the safety shutoff device by turning the manual shutoff switch to the OFF position and ensuring that the boiler shuts down and registers an alarm. Turn the manual gas valve to the ON position and reset the control.
9. Turn the main power off to the boiler and replace the flue temperature sensor into the flue pipe connection.
10. Place the boiler back into normal operation.

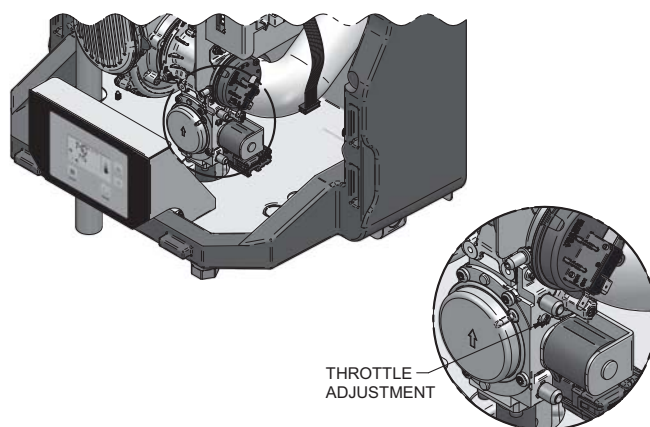
**⚠ WARNING** You must replace the flue gas temperature sensor to prevent flue gas spillage into the room. Failure to comply could result in severe personal injury, death, or substantial property damage.

## Gas valve adjustment procedure

Locate the throttle adjustment screw on top of the gas valve, see FIG. 13-2. Using a screwdriver, turn the screw a 1/4 turn **counterclockwise** to increase CO<sub>2</sub> levels or a 1/4 turn **clockwise** to decrease CO<sub>2</sub> levels. After one adjustment on the valve, follow the Combustion Analysis Procedure to measure the combustion.

If combustion is still not within the specified range, repeat the procedure. This procedure **SHOULD NOT** be performed more than four (4) times. If after four (4) adjustments and the combustion is still not within the specified range, revisit the possible causes in Table 13-7 or replace the gas valve.

**Figure 13-2 Gas Valve Adjustment**



IMG00262

**Table 3-6 Troubleshooting Chart - Combustion Levels**

POSSIBLE CAUSE	CORRECTIVE ACTION
Vent/Air Intake Length or Obstruction	<ul style="list-style-type: none"> <li>• Refer to Section 3 - General Venting for the proper venting and air intake methods for the Cadet heating boiler.</li> <li>• Check for obstructions at the vent/air intake terminals.</li> </ul>
Gas Supply Pressure	<ul style="list-style-type: none"> <li>• Refer to Section 7 - Gas Connections for the proper gas supply for the Cadet heating boiler.</li> </ul>
Dirty/Damaged Burner	<ul style="list-style-type: none"> <li>• Refer to page 66 of this manual for burner removal.</li> <li>• Replace burner if necessary.</li> </ul>
Gas Valve Adjustment	<ul style="list-style-type: none"> <li>• Refer to this page of the manual for the gas valve adjustment procedure.</li> </ul>

# 14 Combi

The Cadet Combi - How it works...

- 1. DHW pump**  
Begins operation when the domestic flow switch enables demand. An integral flow check prevents flow of the boiler water while in the space heat demand.
- 2. Brazed plate heat exchanger**  
Transfers heat from the primary boiler heat exchanger through a brazed plate, in a water to water heat exchange.
- 3. Domestic flow switch**  
Factory mounted to the domestic inlet port of the brazed plate heat exchanger, the normally open flow switch closes contacts and enables heating of domestic water at 0.53 GPM.
- 4. Domestic outlet water sensor**  
A thermistor is located at the domestic outlet port of the brazed plate heat exchanger. In Combi Mode, this sensor acts as the controlling sensor.
- 5. Manual air vent valve**  
Allows for removal of trapped air from the heat exchanger.

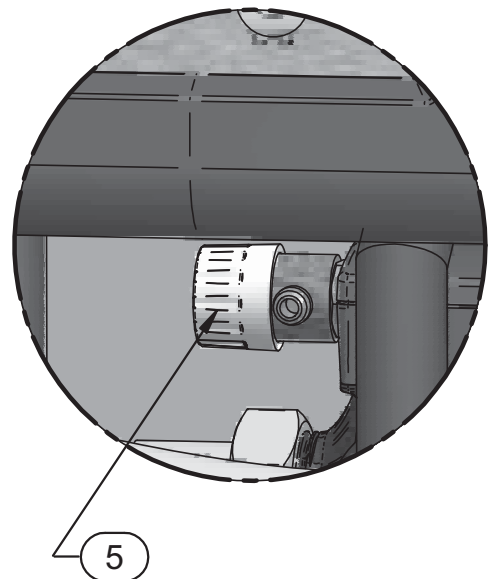
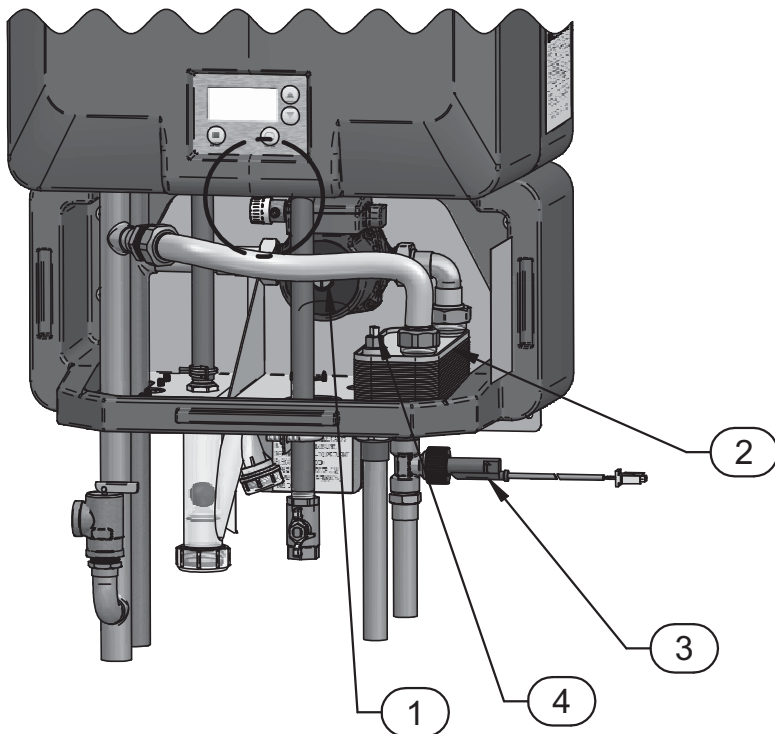
**WARNING**

A field-supplied anti-scald device **MUST** be installed as shown in FIG. 14-3. Anti-scald devices must be selected and installed in accordance to local codes. Failure to do so will result in scald or serious injury. The Combi is capable of supplying domestic water greater than 120°F which may scald.

**NOTICE**

This section contains specific instructions for Combi units. All warnings, cautions, notes and instructions in the general installation and service sections apply to these instructions.

## Model 120 - Combi



IMG00255

# 14 Combi

## Basic operation

The factory installed option of the Cadet with domestic heating capability includes a separate water circuit for the boiler water to instantaneously and indirectly meet the demand of domestic hot water. The domestic heating demand has priority over space heating in this configuration. When the flow switch closes, the DHW pump is energized and the boiler ignition sequence begins or is switched immediately from the space heat demand. The firing rate is now controlling to meet the user set point of the domestic water outlet (reference FIG. 11-1 on page 63).

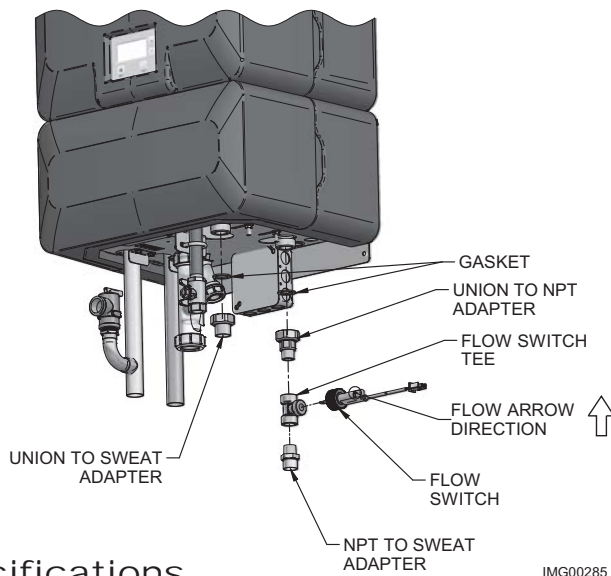
Operation of domestic demand in short and cyclical patterns is met by the removal of the anti-cycling function from standard boiler operation.

## Combi DHW fittings installation

The Domestic Hot Water (DHW) fittings are factory supplied and should be installed as follows (reference FIG. 14-1):

- Assemble the union fitting, flow switch (tee only), and the NPT to sweat adapter with thread sealant.
- Connect the assembly to the brazed plate inlet DHW fitting with the kit supplied gasket.
- Connect the union to sweat adapter to the brazed plate outlet DHW fitting with the remaining kit supplied gasket.
- Sweat/solder the cold and hot water supply for DHW operation.
- Install the flow switch paddle assembly with the arrow towards the brazed plate. DO NOT use thread sealant.

**Figure 14-1 Combi DHW Fittings Installation**



IMG00285

## Specifications

Maximum Domestic Water Pressure	145 PSI
Domestic Water Connections	3/4" Copper
Flow Switch Setting	0.53 GPM

## Flow characteristics

Domestic Flow Rate (GPM)	Domestic Temperature Rise (°F)
0.5 - 2.0	>100 degrees rise
2.5	85
3.0	70
3.5	61
4.0	53

The above data was taken at 100% boiler firing rate with a beginning DHW temperature of 55°F.

Reference *Section 11 - Operating Information for User Adjustable Parameters and Default Settings.*

## Single-wall heat exchanger

### Uniform Plumbing Code

Single-wall heat exchangers are permitted if they satisfy all of the following requirements --

1. The heat transfer medium (boiler water) is potable water or contains only substances which are recognized as safe by the U.S. Food and Drug Administration.
2. The pressure of the heat transfer medium (boiler water) is maintained less than the normal minimum operating pressure of the potable water system.
3. The equipment is permanently labeled to indicate that only additives recognized as safe by the FDA shall be used in the heat transfer medium.

### CAUTION

The heat transfer medium (boiler water) must be water or other nontoxic fluid having a toxicity rating or class of 1, as listed in *Clinical Toxicology of Commercial Products*, 5th edition.

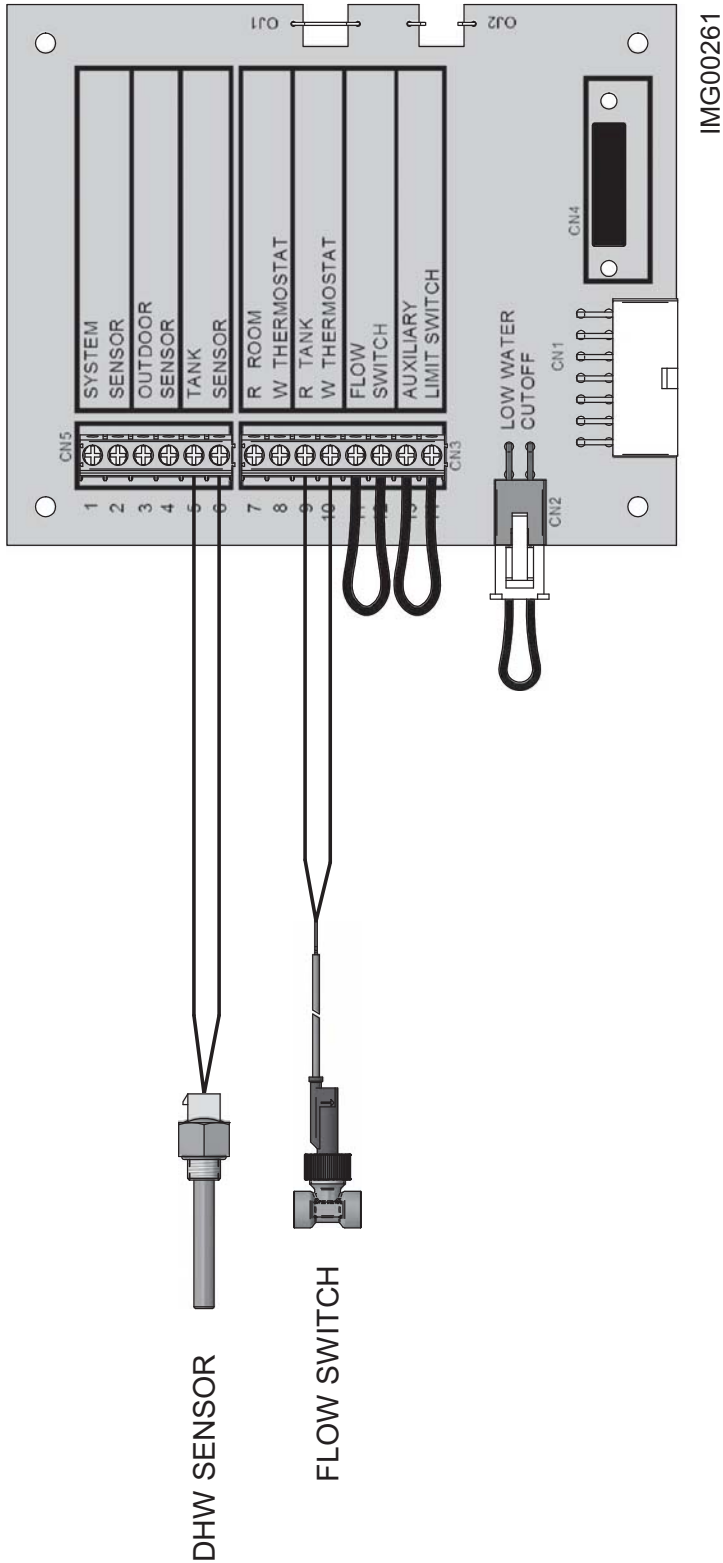
The pressure of the heat transfer medium (boiler water) must be limited to a maximum of 50 PSIG by an approved safety or relief valve.

## Electrical

The Combi specific electrical circuits are pre-wired from the factory and no field wiring is required. The tank sensor and tank thermostat connections on the low voltage connection board are the inputs for the DHW outlet water sensor and DHW flow switch, respectively. The DHW pump is pre-wired to the boiler's DHW pump output, reference *Table 13-2A - Inlet Water/System/DHW Sensor Resistance vs. Temperature Table* on page 72 of this manual.

# 14 Combi *(continued)*

Figure 14-2 Combi Low Voltage Field Wiring Connections



Connection Board Configurations		
	OJ1	OJ2
Standard Altitude, Standard (Non-Combi)	Cut	Connected
Standard Altitude, Combi	Cut	Cut
High Altitude, Standard (Non-Combi)	Connected	Connected
High Altitude, Combi	Connected	Cut

# 14 Combi

## Water piping

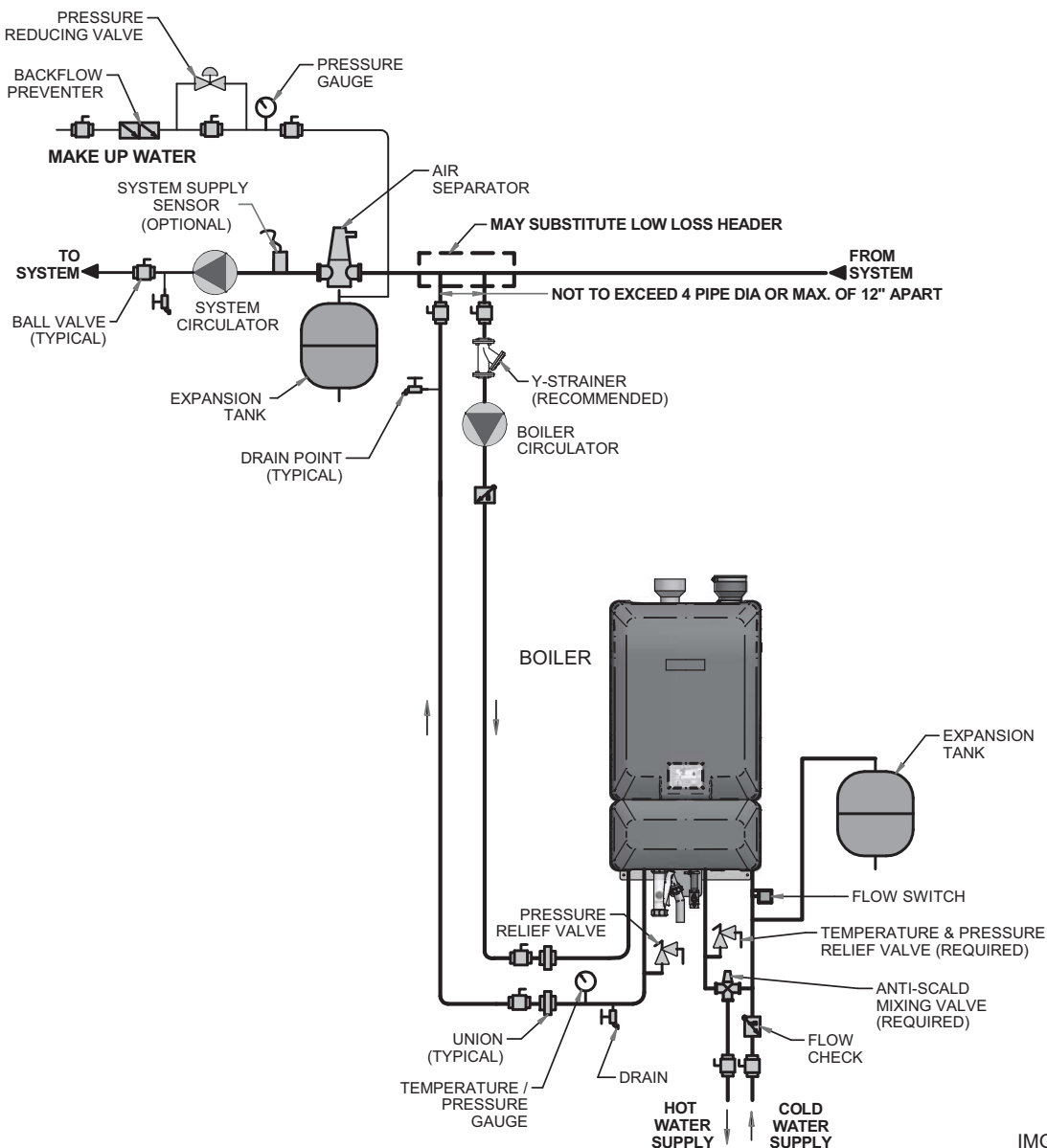
Field connections are to be made as represented in FIG. 14-3.

**⚠ WARNING** A field-supplied anti-scald device **MUST** be installed as shown in FIG. 14-3. Anti-scald devices must be selected and installed in accordance to local codes. Failure to do so will result in scald or serious injury. The Combi is capable of supplying domestic water greater than 120°F which may scald.

Ensure that plumbing and electrical installation are complete and supply gas is turned OFF. On initial startup, bleed air from the system with the manual air vent on the primary boiler heat exchanger, as well as the manual air vent on the DHW pump, while flowing domestic water in excess of the flow switch setting until all air has escaped. Be sure to connect a hose to each air vent to allow the air and water to properly exit the unit. This process will energize the DHW pump and enable purging of air from low mass water carrying components.

Adjustment of the anti-scald device should be set to a safe temperature to prevent injury. The anti-scald device **MUST** be set so that the outlet water temperature will never exceed 120°F.

**Figure 14-3** Single Boiler - Primary Secondary w/Combi Piping Diagram



IMG00254

**NOTICE** Please note that this illustration is meant to show system piping concept only, the installer is responsible for all equipment and detailing required by local codes.

# 14 Combi *(continued)*

## Setting DHW target temperature

**⚠ WARNING**

An excessively high DHW temperature set point can result in serious injury. The minimum effective temperature should be used. Verify the installed anti-scald device requirements to determine an appropriate DHW temperature range.

Consider the following factors when determining ideal DHW set point temperature:

- Cold water supply temperature
- Anti-scald device requirements
- Flow rates

**NOTICE**

Lower cold water supply temperatures may require higher DHW temperature settings.

## Set point adjustment and anti-scald device requirements

Determine the maximum and minimum hot water supply temperatures required for the anti-scald device. The suggested Cadet DHW temperature set point is typically 15°F higher than the anti-scald device setting.

- If this temperature is not within the required range for the specific anti-scald device, select a temperature close to 15°F above, but still within the allowable range for the device.

Change the DHW set point for the unit to reflect the chosen temperature. Monitor water drawn from an outlet after the anti-scald device to ensure that outlet temperature remains stable at the determined set point.

- If outlet temperature is unstable or the unit cycles off, lower the DHW set point approximately 5°F, or until it becomes stable while remaining within the required range.

After the outlet temperature has stabilized, turn OFF water for approximately 30 seconds. Turn water ON maintaining the previous temperature and flow rate. Monitor the temperature at the point of use until it has maintained the chosen DHW set point.

- If the temperature at the point of use dips more than 3°F below the set point before stabilizing at the desired temperature, increase the DHW set point and repeat the process above.
- If the temperature does not dip, reduce the DHW temperature and repeat the process above to determine the minimum set point that will not cause a drop in temperature.

**NOTICE**

In some configurations it may not be possible to achieve an ideal DHW set point where there are no dips in temperature. In this case, use the best achievable set point that is safely within the range required by the field-supplied anti-scald device.

## Flow rates

Verify that the Cadet will be able to maintain the established DHW set point temperature at an expected minimum flow rate.

- Draw water from the unit at a minimum anticipated (typical) flow rate and temperature. Monitor the unit to ensure that temperature remains stable at the set point.
- If outlet temperature is unstable or the unit cycles off during this process, lower the DHW set point and repeat the process until a stable temperature is established.

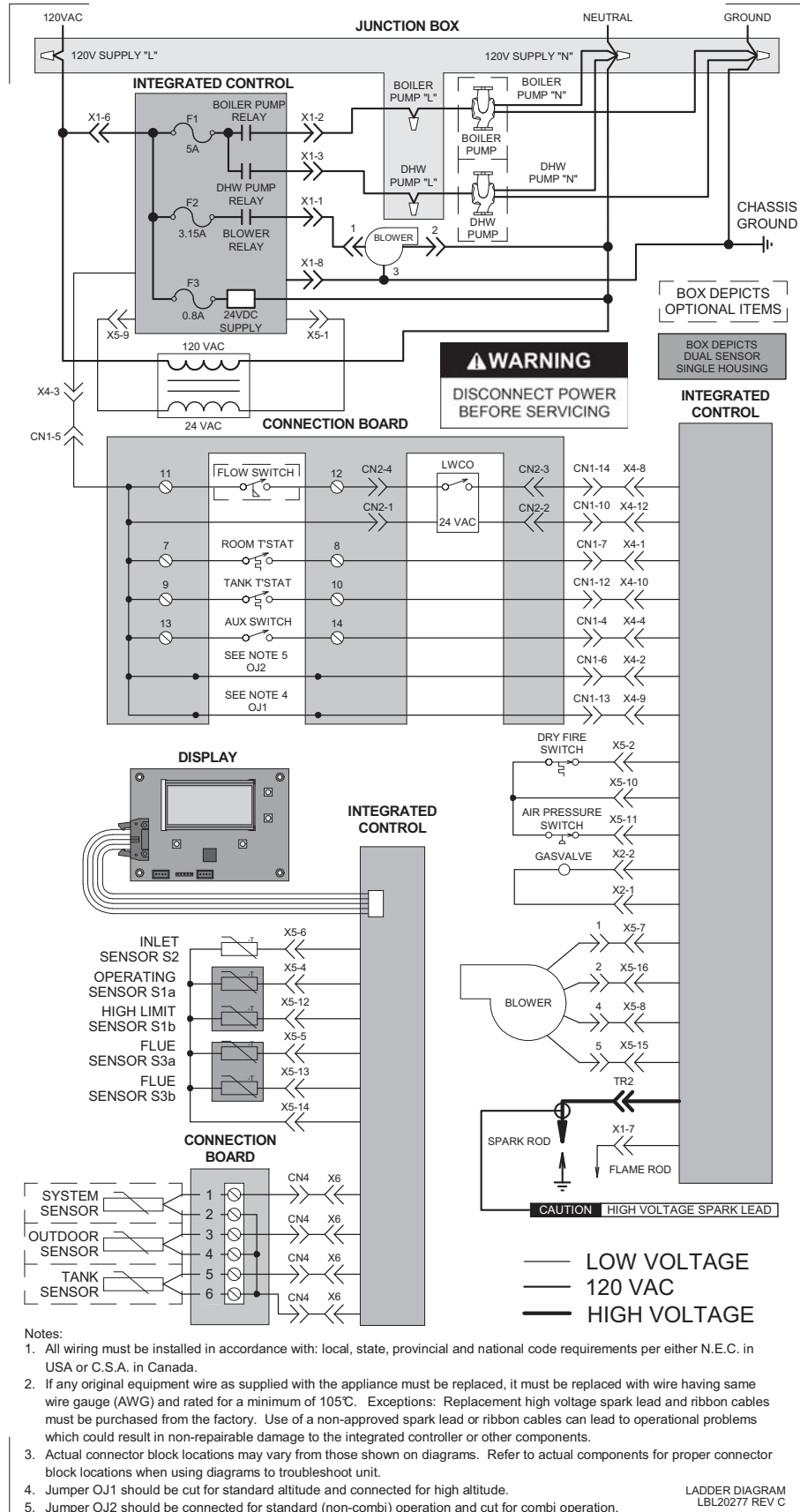
**⚠ WARNING**

You **MUST** verify the hot water inlet range required for the anti-scald device and ensure that the Cadet DHW set point is safely within this range to avoid serious injury.

- The anti-scald device **MUST** be rated for the flow rates anticipated for the unit.
- DHW temperature set point should be set at least 10°F below the maximum allowable temperature for the anti-scald device.

# 15 Diagrams

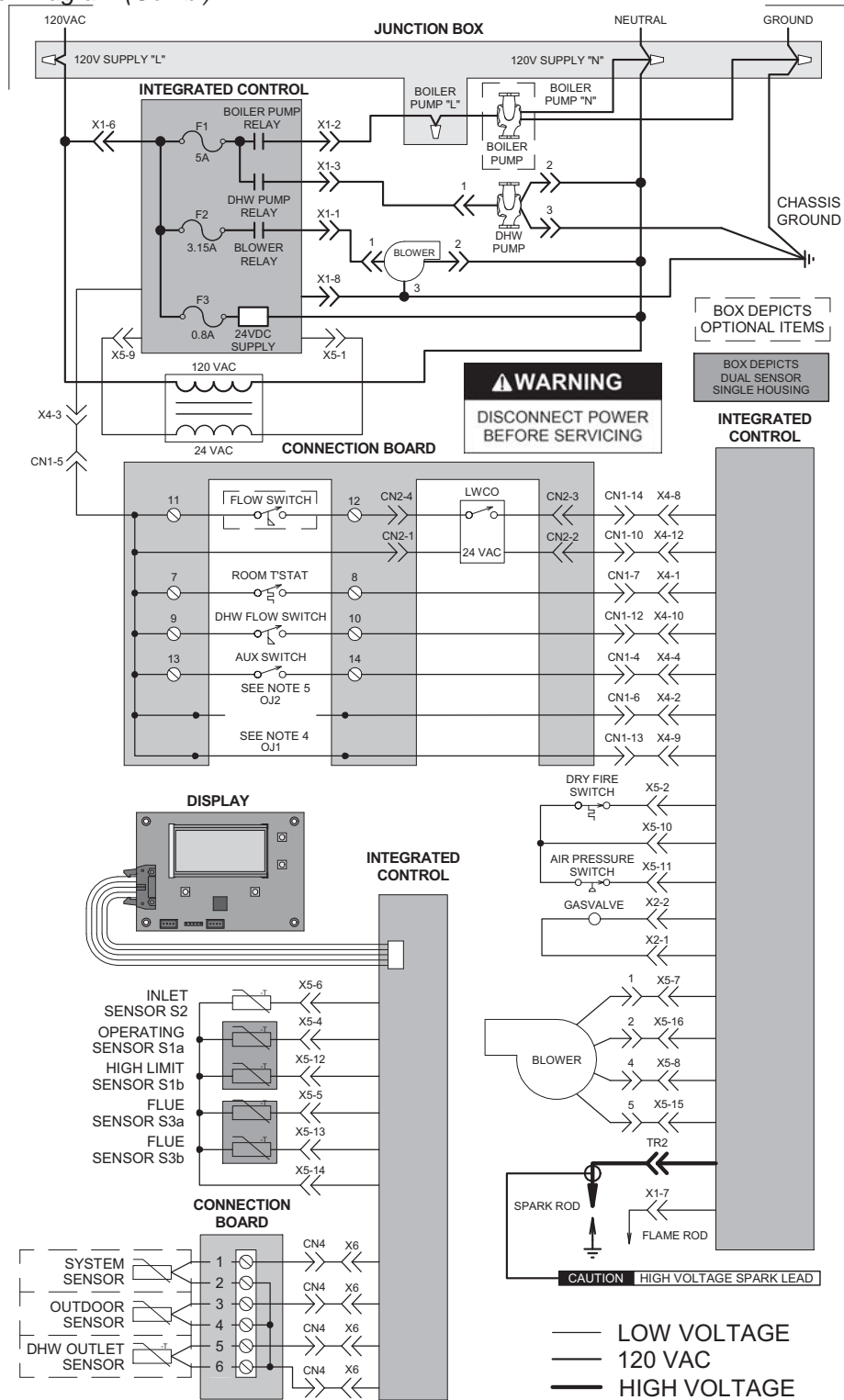
Figure 15-1 Ladder Diagram (Standard)





# 15 Diagrams

Figure 15-3 Ladder Diagram (Combi)

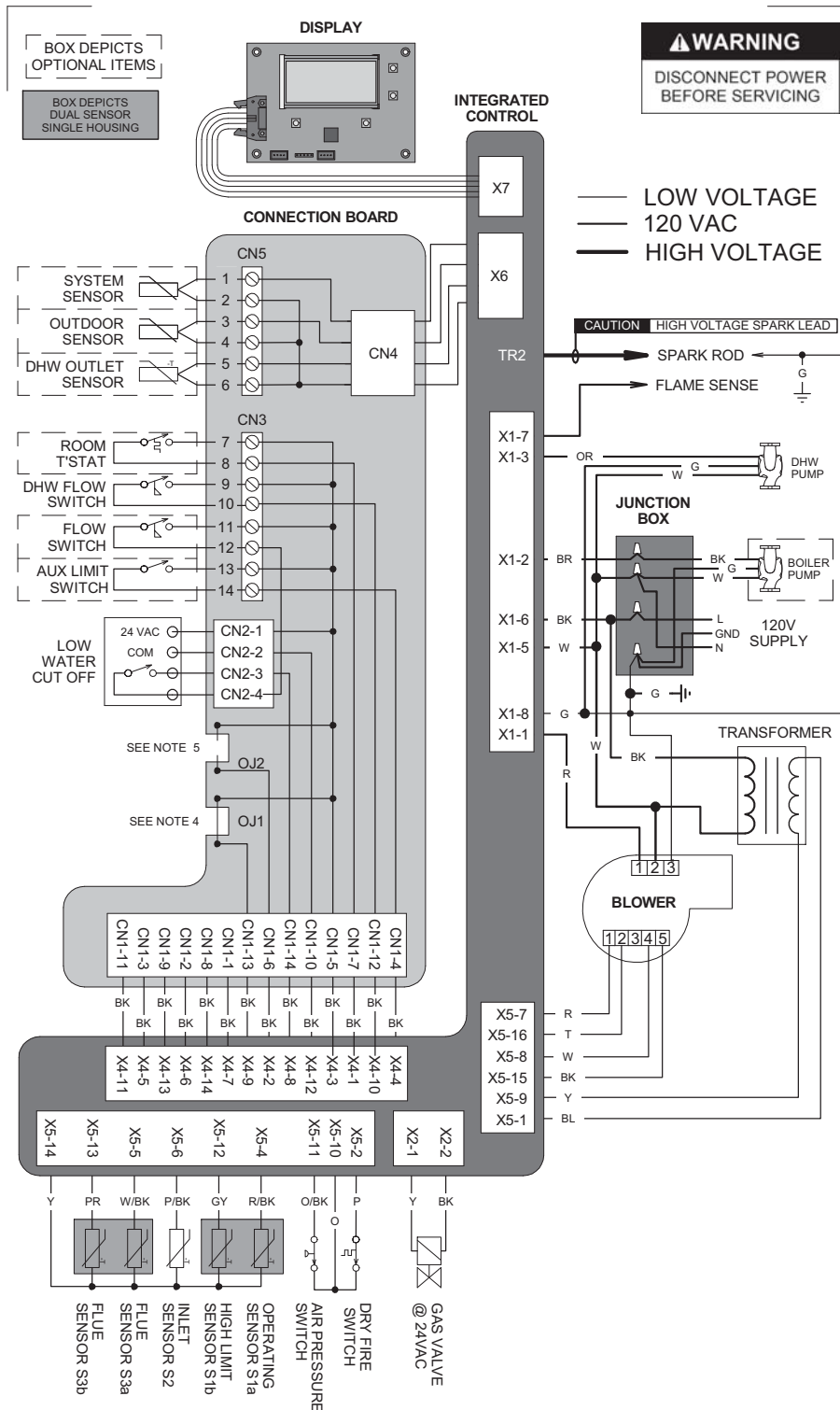


- Notes:
1. All wiring must be installed in accordance with: local, state, provincial and national code requirements per either N.E.C. in USA or C.S.A. in Canada.
  2. If any original equipment wire as supplied with the appliance must be replaced, it must be replaced with wire having same wire gauge (AWG) and rated for a minimum of 105°C. Exceptions: Replacement high voltage spark lead and ribbon cables must be purchased from the factory. Use of a non-approved spark lead or ribbon cables can lead to operational problems which could result in non-repairable damage to the integrated controller or other components.
  3. Actual connector block locations may vary from those shown on diagrams. Refer to actual components for proper connector block locations when using diagrams to troubleshoot unit.
  4. Jumper OJ1 should be cut for standard altitude and connected for high altitude.
  5. Jumper OJ2 should be connected for standard (non-combi) operation and cut for combi operation.

LADDER DIAGRAM  
LBL20297 REV C

# 15 Diagrams *(continued)*

**Figure 15-4 Wiring Diagram (Combi)**



**Notes:**

1. All wiring must be installed in accordance with: local, state, provincial and national code requirements per either N.E.C. in USA or C.S.A. in Canada.
2. If any original equipment wire as supplied with the appliance must be replaced, it must be replaced with wire having same wire gauge (AWG) and rated for a minimum of 105°C. Exceptions: Replacement high voltage spark lead and ribbon cables must be purchased from the factory. Use of a non-approved spark lead or ribbon cables can lead to operational problems which could result in non-repairable damage to the integrated controller or other components.
3. Actual connector block locations may vary from those shown on diagrams. Refer to actual components for proper connector block locations when using diagrams to troubleshoot unit.
4. Jumper OJ1 should be cut for standard altitude and connected for high altitude.
5. Jumper OJ2 should be connected for standard (non-combi) operation and cut for combi operation.

WIRING DIAGRAM  
 LBL20298 REV C

---

# Notes

---

# Notes

*Revision A (ECO #C10659) initial release.*

*Revision B (ECO #C11102) reflects outdoor air reset updates along with changes made to Table 3B on page 16 (ECR R05655).*

*Revision C (ECO #C11314) reflects edits made to the Combi Section on page 81.*

*Revision D (ECO #C11736) reflects changes made to the ratings page (page 6).*

*Revision E (ECO #C12455) reflects edits made to place the check valves on the outlet side of the pump on all of the piping diagrams as well as changes for ECR R06076 to add more information on anti-scald devices and setting DHW for Section 14 - Combi on pages 80, 83 and 84.*

*Revision F (ECO #C12582) reflects updates made to the wiring and ladder diagrams along with FIG's 8-3 and 14-2.*

*Revision G (ECO #C12665) reflects the addition of the CSA Low Lead Content logo.*

*Revision H (ECO #C13074) reflects updates made to the polypropylene de-rate amounts (R06316) and an updated figure and the addition of the manual air vent valve to page 80, as well as clarification on bleeding air from the system on page 83 (R06373).*

*Revision I (ECO #C14411) reflects the removal of the page number reference on page 14, the addition of the corrosive contaminant warning on pages 3 and 7 (R06313), changes made to Table 7A - Gas Piping Chart on page 44 (R6621), the Test Low Water Flow Conditions information added to the Maintenance Section on page 69, along with updating the flex piping information (R06464) on page 20.*

*Revision J (ECO #C14713) reflects high altitude updates.*

*Revision K (ECO C16987) reflects the update of freeze protection information on page 58 and the standardization of gas pipe sizing on pages 43 and 44 (R07763).*