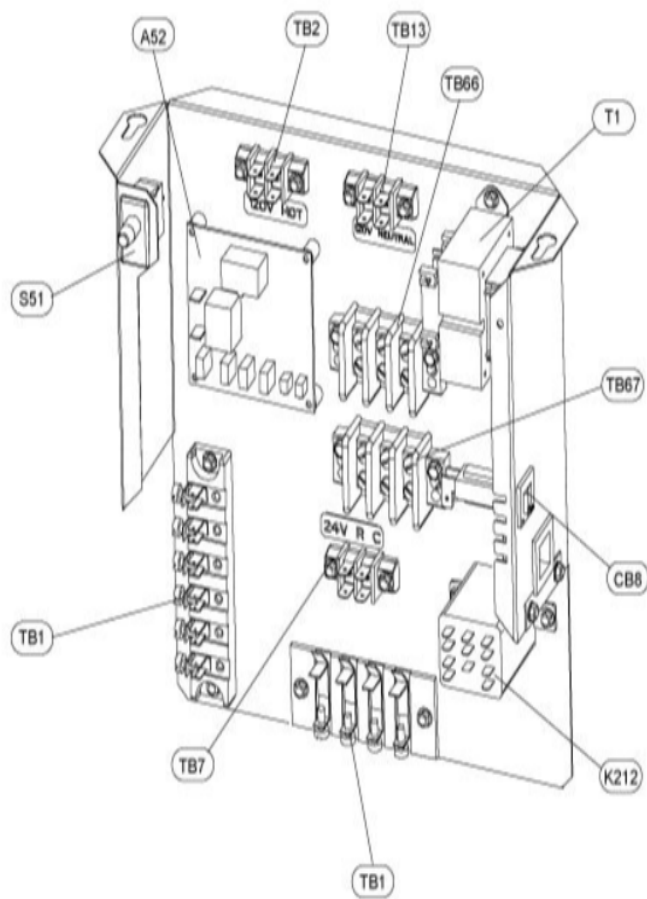
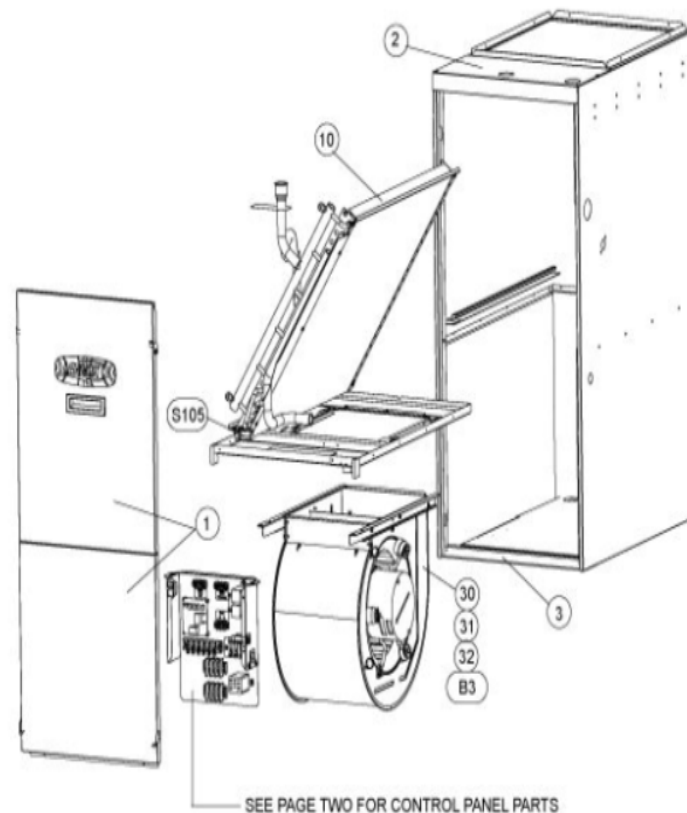


COILS/BLOWER COILS  
OCTOBER, 2005

### CBWMV CONTROL PANEL



### CBWMV SERIES



Revision Number - 1

## BLOWER PARTS FOR 60C BLOWER

Callout	Name	Quantity	Description
	MOUNT-MOTOR Cat #: 32M17 Model/Part #: 32M1701	1	MOUNT-MOTOR (4 LEG BAND)
	GROMMET Cat #: 43H81 Model/Part #: 43H8101	4	GROMMET
	ARM-MOTOR MTG Cat #: 49L97 Model/Part #: 49L9701	4	ARM (MOTOR MTG BRACKET)
	SLEEVE Cat #: 49L98 Model/Part #: 49L9801	4	SLEEVE
30	HOUSING-BLOWER Cat #: 57M89 Model/Part #: LB-94726L	1	ASSY-BLOWER (REPAIR PARTS)
31	WHEEL-BLOWER Cat #: 36M22 Model/Part #: LB-29333BCW	1	"1/2" BORE, 10" X 8"
32	PLATE-CUTOFF Cat #: 81L92 Model/Part #: LB-94537	1	PLATE-CUTOFF
83A	MODULE-MOTOR Cat #: 88M96 Model/Part #: LB-90745AD	1	MODULE LESS MOTOR
B3	BLOWER MTR VAR SPD Cat #: 10B67 Model/Part #: 610588-02	1	ASSY-MOTOR
L13	CHOKE-POWER Cat #: 69H12 Model/Part #: 69H1201	1	BLOWER

## CABINET PARTS

Callout	Name	Quantity	Description
	HANDLE Cat #: 101296-01 Model/Part #: 101296-01	1	DOOR
	FILTER Cat #: 97H07 Model/Part #: 97H0701	1	"25" X 25" X 1"
1	PANEL-SET Cat #: 90M56 Model/Part #: LB-74702D	1	COIL & BLR ACCESS SET INCL HANDLE

Callout	Name	Quantity	Description
2	REPLACEMENT TOP CAP Cat #: 92M82 Model/Part #: LB-74704D	1	TOP
3	PANEL Cat #: 27M94 Model/Part #: LB-91472A	1	BOTTOM

## CONTROL PANEL PARTS

Callout	Name	Quantity	Description
	HARNESS-WIRING Cat #: 27M25 Model/Part #: LB-100797	1	POWER 5 PIN (MOTOR)
	HARNESS-WIRING Cat #: 12W22 Model/Part #: LB-74818	1	CONTROL 16 PIN MOTOR)
	HARNESS-WIRING Cat #: 12W23 Model/Part #: LB-74819	1	3 WIRE (FIELD MAKE UP BOX)
A52	BOARD-CIRCUIT Cat #: 40K82 Model/Part #: LB-89812	1	(BDC3-1)
CB8	BREAKER-CIRCUIT Cat #: 37J56 Model/Part #: 37J5601	1	CIRCUIT BREAKER- 250V/3 AMP
K212	RELAY Cat #: 67K66 Model/Part #: 67K6601	1	"3PDT, 24V"
S51	SWITCH Cat #: 25J13 Model/Part #: 25J1301	1	SWITCH, INTERLOCK
T1	TRANSFORMER Cat #: 29M71 Model/Part #: 29M7101	1	"120VPRI,24VSEC,40VA"
TB1	STRIP-TERMINAL Cat #: 95M40 Model/Part #: 100615-04	1	4 POSITION
TB1	STRIP-TERMINAL Cat #: 95M41 Model/Part #: 100615-06	1	6 POSITION
TB13	STRIP-TERMINAL Cat #: 31L16 Model/Part #: 31L1601	1	2 POSITION
TB2	STRIP-TERMINAL Cat #: 31L16 Model/Part #: 31L1601	1	2 POSITION
TB66	STRIP-TERMINAL	1	3 POSITION

Callout	Name	Quantity	Description
	Cat #: 86H69 Model/Part #: 86H6901		
TB67	STRIP-TERMINAL Cat #: 86H69 Model/Part #: 86H6901	1	3 POSITION
TB7	STRIP-TERMINAL Cat #: 31L16 Model/Part #: 31L1601	1	2 POSITION

## HEATING PARTS

Callout	Name	Quantity	Description
	CORE-VALVE Cat #: 100102-01 Model/Part #: 100102-01	2	CORE-VALVE
	CAP-SEAL Cat #: 63K08 Model/Part #: 63K0801	2	CAP-1/4 in. FLARE SEAL
	PRESS TAP FITTING Cat #: 63K09 Model/Part #: 63K0901	2	FITTING - PRESS TAP
	SUPPORT Cat #: 71M42 Model/Part #: LB-74625	1	COIL-BOTTOM
	SUPPORT Cat #: 71M43 Model/Part #: LB-74626	1	COIL-TOP
10	COIL ASSY Cat #: 61M83 Model/Part #: LB-74703D	1	REPL COIL ASSY
S105	THERMOSTAT Cat #: 49K94 Model/Part #: 49K9401	1	"SPST OPEN 75F, CLOSE 45F"

## OPTIONAL PARTS-FIELD INSTALLED

Callout	Name	Quantity	Description
	VENT-AIR BLEED Cat #: 29K49 Model/Part #: 29K4901	1	"3/4""
	VENT-AIR BLEED Cat #: 29K50 Model/Part #: 29K5001	1	"1""
	VALVE-CHECK Cat #: 66J62 Model/Part #: 66J6201	1	VALVE-INLINE CHECK

<b>Callout</b>	<b>Name</b>	<b>Quantity</b>	<b>Description</b>
	ADAPTER Cat #: P-8-4556 Model/Part #: P-8-4556	2	ADAPTOR, WROT COPPER
ANTI-S	ANTI SIPHON KIT Cat #: 73J84 Model/Part #: LB-68561A	1	INC NEXT 2 PARTS

**Note:**

There are no technical notes for this product.