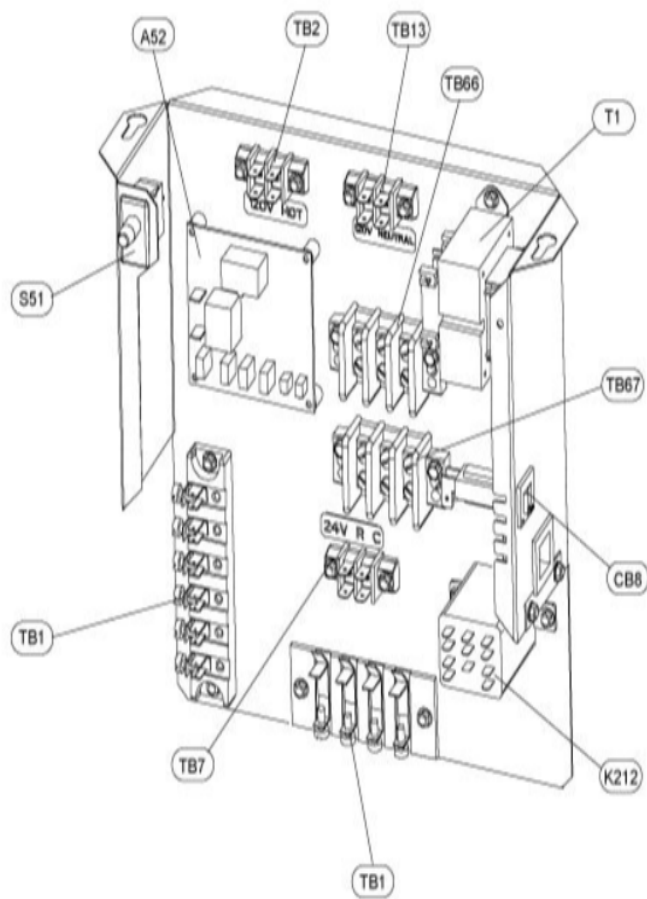
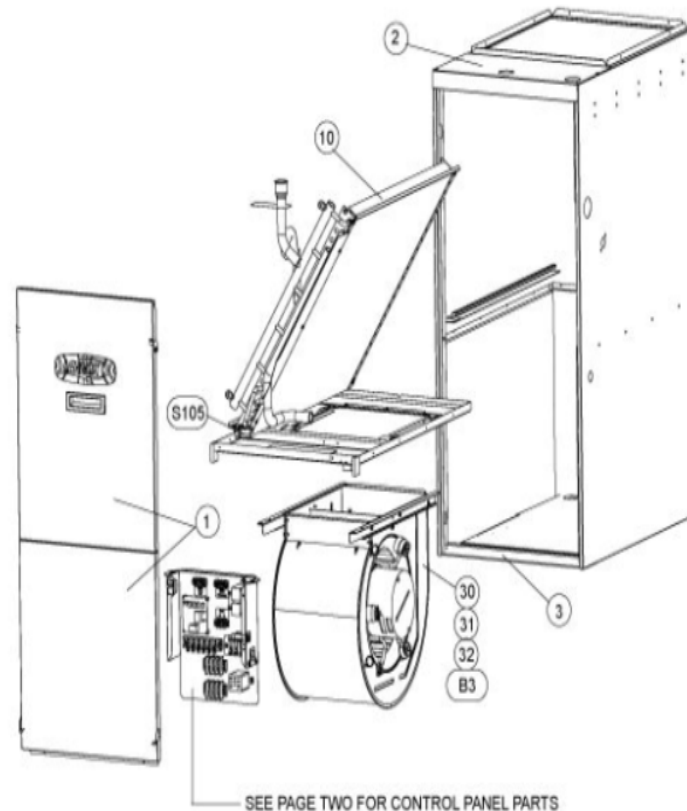


COILS/BLOWER COILS
OCTOBER, 2005

CBWMV CONTROL PANEL



CBWMV SERIES



Revision Number - 1

BLOWER PARTS FOR 60C BLOWER

| Callout | Name | Quantity | Description |
|---------|--|----------|----------------------------|
| | MOUNT-MOTOR Cat #: 32M17 Model/Part #: 32M1701 | 1 | MOUNT-MOTOR (4 LEG BAND) |
| | GROMMET Cat #: 43H81 Model/Part #: 43H8101 | 4 | GROMMET |
| | ARM-MOTOR MTG Cat #: 49L97 Model/Part #: 49L9701 | 4 | ARM (MOTOR MTG BRACKET) |
| | SLEEVE Cat #: 49L98 Model/Part #: 49L9801 | 4 | SLEEVE |
| 30 | HOUSING-BLOWER Cat #: 57M89 Model/Part #: LB-94726L | 1 | ASSY-BLOWER (REPAIR PARTS) |
| 31 | WHEEL-BLOWER Cat #: 36M22 Model/Part #: LB-29333BCW | 1 | "1/2" BORE, 10" X 8" |
| 32 | PLATE-CUTOFF Cat #: 81L92 Model/Part #: LB-94537 | 1 | PLATE-CUTOFF |
| B3 | BLOWER MTR VAR SPD Cat #: 10B67 Model/Part #: 610588-02 | 1 | ASSY-MOTOR |
| B3A | MODULE-MOTOR Cat #: 88M96 Model/Part #: LB-90745AD | 1 | MODULE LESS MOTOR |
| L13 | CHOKE-POWER Cat #: 69H12 Model/Part #: 69H1201 | 1 | BLOWER |

CABINET PARTS

| Callout | Name | Quantity | Description |
|---------|--|----------|-----------------------------------|
| | HANDLE Cat #: 101296-01 Model/Part #: 101296-01 | 1 | DOOR |
| | FILTER Cat #: 59436 Model/Part #: P-8-7831 | 1 | "20" X 25" X 1" |
| 1 | PANEL-SET Cat #: 90M56 Model/Part #: LB-74702D | 1 | COIL & BLR ACCESS SET INCL HANDLE |

| Callout | Name | Quantity | Description |
|---------|---|----------|-------------|
| 2 | REPLACEMENT TOP CAP Cat #: 92M82 Model/Part #: LB-74704D | 1 | TOP |
| 3 | PANEL Cat #: 27M94 Model/Part #: LB-91472A | 1 | BOTTOM |

CONTROL PANEL PARTS

| Callout | Name | Quantity | Description |
|---------|--|----------|----------------------------|
| | HARNESS-WIRING Cat #: 27M25 Model/Part #: LB-100797 | 1 | POWER 5 PIN (MOTOR) |
| | HARNESS-WIRING Cat #: 12W22 Model/Part #: LB-74818 | 1 | CONTROL 16 PIN (MOTOR) |
| | HARNESS-WIRING Cat #: 12W23 Model/Part #: LB-74819 | 1 | 3 WIRE (FIELD MAKE UP BOX) |
| A52 | BOARD-CIRCUIT Cat #: 40K82 Model/Part #: LB-89812 | 1 | (BDC3-1) |
| CB8 | BREAKER-CIRCUIT Cat #: 37J56 Model/Part #: 37J5601 | 1 | CIRCUIT BREAKER-250V/3 AMP |
| K212 | RELAY Cat #: 67K66 Model/Part #: 67K6601 | 1 | "3PDT, 24V" |
| S51 | SWITCH Cat #: 25J13 Model/Part #: 25J1301 | 1 | SWITCH, INTERLOCK |
| T1 | TRANSFORMER Cat #: 29M71 Model/Part #: 29M7101 | 1 | "120VPRI,24VSEC,40VA" |
| TB1 | STRIP-TERMINAL Cat #: 95M40 Model/Part #: 100615-04 | 1 | 4 POSITION |
| TB1 | STRIP-TERMINAL Cat #: 95M41 Model/Part #: 100615-06 | 1 | 6 POSITION |
| TB13 | STRIP-TERMINAL Cat #: 31L16 Model/Part #: 31L1601 | 1 | 2 POSITION |
| TB2 | STRIP-TERMINAL Cat #: 31L16 Model/Part #: 31L1601 | 1 | 2 POSITION |
| TB66 | STRIP-TERMINAL | 1 | 3 POSITION |

| Callout | Name | Quantity | Description |
|---------|--|----------|-------------|
| | Cat #: 86H69 Model/Part #: 86H6901 | | |
| TB67 | STRIP-TERMINAL Cat #: 86H69 Model/Part #: 86H6901 | 1 | 3 POSITION |
| TB7 | STRIP-TERMINAL Cat #: 31L16 Model/Part #: 31L1601 | 1 | 2 POSITION |

HEATING PARTS

| Callout | Name | Quantity | Description |
|---------|---|----------|----------------------------|
| | CORE-VALVE Cat #: 95M48 Model/Part #: 100210-01 | 2 | CORE - VALVE |
| | CAP-SEAL Cat #: 63K08 Model/Part #: 63K0801 | 2 | CAP-1/4 in. FLARE SEAL |
| | PRESS TAP FITTING Cat #: 63K09 Model/Part #: 63K0901 | 2 | FITTING - PRESS TAP |
| | SUPPORT Cat #: 71M42 Model/Part #: LB-74625 | 1 | COIL-BOTTOM |
| | SUPPORT Cat #: 71M43 Model/Part #: LB-74626 | 1 | COIL-TOP |
| 10 | COIL ASSY Cat #: 61M82 Model/Part #: LB-74703C | 1 | REPL COIL ASSY |
| S105 | THERMOSTAT Cat #: 49K94 Model/Part #: 49K9401 | 1 | "SPST OPEN 75F, CLOSE 45F" |

OPTIONAL PARTS-FIELD INSTALLED

| Callout | Name | Quantity | Description |
|---------|--|----------|--------------------|
| | VENT-AIR BLEED Cat #: 29K49 Model/Part #: 29K4901 | 1 | "3/4" "" |
| | VENT-AIR BLEED Cat #: 29K50 Model/Part #: 29K5001 | 1 | "1" "" |
| | VALVE-CHECK Cat #: 66J62 Model/Part #: 66J6201 | 1 | VALVE-INLINE CHECK |

| Callout | Name | Quantity | Description |
|----------------|---|-----------------|-------------------------|
| | ADAPTER Cat #: P-8-4556 Model/Part #: P-8-4556 | 2 | ADAPTOR, WROT COPPER |
| ANTI-S | ANTI SIPHON KIT Cat #: 73J84 Model/Part #: LB-68561A | 1 | INC NEXT 2 PARTS |

Note:

There are no technical notes for this product.