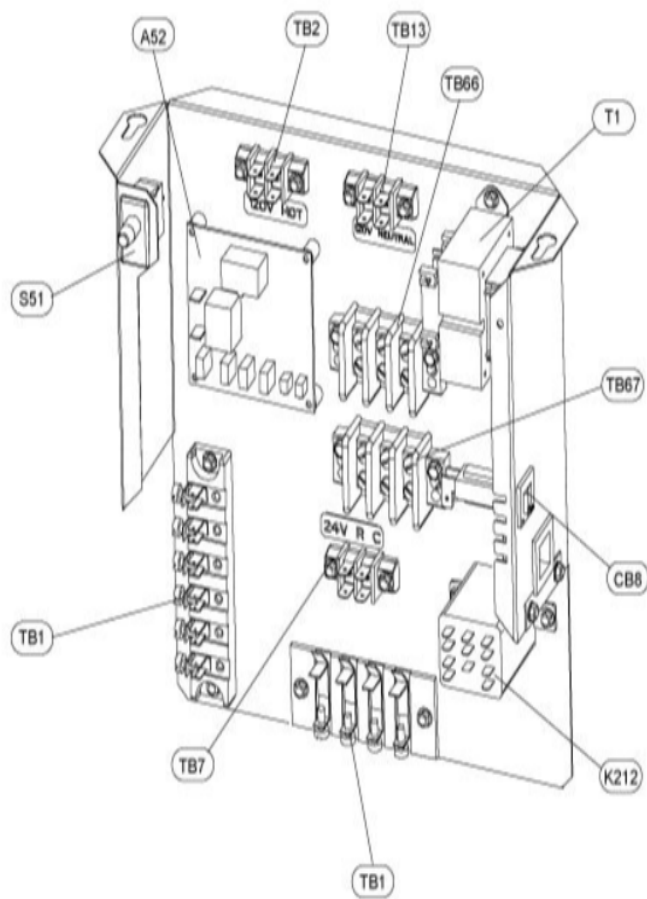
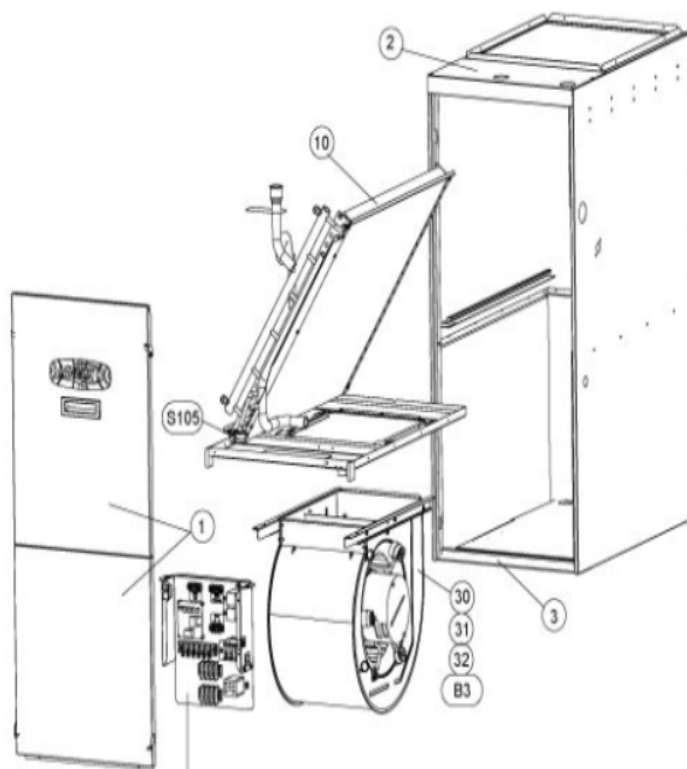


COILS/BLOWER COILS
OCTOBER, 2005

CBWMV CONTROL PANEL



CBWMV SERIES



SEE PAGE TWO FOR CONTROL PANEL PARTS



Revision Number - 2

BLOWER PARTS FOR 36C BLOWER

Callout	Name	Quantity	Description
	611408-01 ASSY MODULE - MOTOR Cat #: 10M09 Model/Part #: 10M09	1	MODULE - MOTOR
	MOUNT-MOTOR Cat #: 18M68 Model/Part #: 18M6801	1	"L/ WASHERS, GROMMETS & SLEEVES"
	KIT-BLOWER Cat #: 71M48 Model/Part #: LB-107597	1	"MOUNTING HARDWARE (CONTAINS 6 EA WASHER
30	HOUSING-BLOWER Cat #: 57M87 Model/Part #: LB-94726J	1	ASSY-BLOWER (REPAIR PARTS)
31	WHEEL-BLOWER Cat #: 89J10 Model/Part #: LB-29333BCG	1	"1/2""BORE,10"" X 8""
32	PLATE-CUTOFF Cat #: 81L90 Model/Part #: LB-94535	1	PLATE-CUTOFF
B3	610588-01 MTR-BLR 5.0(Mod sold separate) Cat #: 10B66 Model/Part #: 10B66	1	MOTOR-BLWR 1/2HP, VAR RPM, 120/60/1

CABINET PARTS

Callout	Name	Quantity	Description
	HANDLE Cat #: 101296-01 Model/Part #: 101296-01	1	DOOR
	FILTER Cat #: 59436 Model/Part #: P-8-7831	1	"20"" X 25"" X 1""
1	PANEL-SET Cat #: 90M56 Model/Part #: LB-74702D	1	COIL & BLR ACCESS SET INCL HANDLE
2	REPLACEMENT TOP CAP Cat #: 92M82 Model/Part #: LB-74704D	1	TOP
3	PANEL	1	BOTTOM

Callout	Name	Quantity	Description
	Cat #: 27M94 Model/Part #: LB-91472A		

CONTROL PANEL PARTS

Callout	Name	Quantity	Description
	HARNESS-WIRING Cat #: 27M25 Model/Part #: LB-100797	1	POWER 5 PIN (MOTOR)
	HARNESS-WIRING Cat #: 12W22 Model/Part #: LB-74818	1	CONTROL 16 PIN (MOTOR)
	HARNESS-WIRING Cat #: 12W23 Model/Part #: LB-74819	1	3 WIRE (FIELD MAKE UP BOX)
A52	40K8201 CTL BDC3-1 Cat #: 40K82 Model/Part #: 40K82	1	CTL BDC3-1
CB8	BREAKER-CIRCUIT Cat #: 26W34 Model/Part #: 100597-01	1	CIRCUIT BREAKER- 250V/3 AMP
K212	RELAY Cat #: 67K66 Model/Part #: 67K6601	1	"3PDT, 24V"
S51	SWITCH Cat #: 25J13 Model/Part #: 25J1301	1	SWITCH, INTERLOCK
T1	42J3201 TRANSFORMER Cat #: 42J32 Model/Part #: 42J32	1	TRANSFORMER 120VPRI,24VSEC,40VA
TB1	STRIP-TERMINAL Cat #: 95M40 Model/Part #: 100615-04	1	4 POSITION
TB1	STRIP-TERMINAL Cat #: 95M41 Model/Part #: 100615-06	1	6 POSITION
TB13	STRIP-TERMINAL Cat #: 31L16 Model/Part #: 31L1601	1	2 POSITION
TB2	STRIP-TERMINAL Cat #: 31L16 Model/Part #: 31L1601	1	2 POSITION
TB66	STRIP-TERMINAL Cat #: 86H69 Model/Part #: 86H6901	1	3 POSITION
TB67	STRIP-TERMINAL Cat #: 86H69 Model/Part #: 86H6901	1	3 POSITION

Callout	Name	Quantity	Description
TB7	STRIP-TERMINAL Cat #: 31L16 Model/Part #: 31L1601	1	2 POSITION

HEATING PARTS

Callout	Name	Quantity	Description
	CORE-VALVE Cat #: 95M48 Model/Part #: 100210-01	2	CORE - VALVE
	CAP-SEAL Cat #: 63K08 Model/Part #: 63K0801	2	CAP-1/4 in. FLARE SEAL
	PRESS TAP FITTING Cat #: 63K09 Model/Part #: 63K0901	2	FITTING - PRESS TAP
	SUPPORT Cat #: 71M42 Model/Part #: LB-74625	1	COIL-BOTTOM
	SUPPORT Cat #: 71M43 Model/Part #: LB-74626	1	COIL-TOP
10	COIL ASSY Cat #: 61M82 Model/Part #: LB-74703C	1	REPL COIL ASSY
S105	THERMOSTAT Cat #: 49K94 Model/Part #: 49K9401	1	"SPST OPEN 75F, CLOSE 45F"

OPTIONAL PARTS-FIELD INSTALLED

Callout	Name	Quantity	Description
	VENT-AIR BLEED Cat #: 29K49 Model/Part #: 29K4901	1	"3/4""
	VENT-AIR BLEED Cat #: 29K50 Model/Part #: 29K5001	1	"1""
	VALVE-CHECK Cat #: 66J62 Model/Part #: 66J6201	1	VALVE-INLINE CHECK
	ADAPTER Cat #: P-8-4556 Model/Part #: P-8-4556	2	ADAPTOR, WROT COPPER
ANTI-S	ANTI SIPHON KIT Cat #: 73J84 Model/Part #: LB-68561A	1	INC NEXT 2 PARTS

Note:

There are no technical notes for this product.