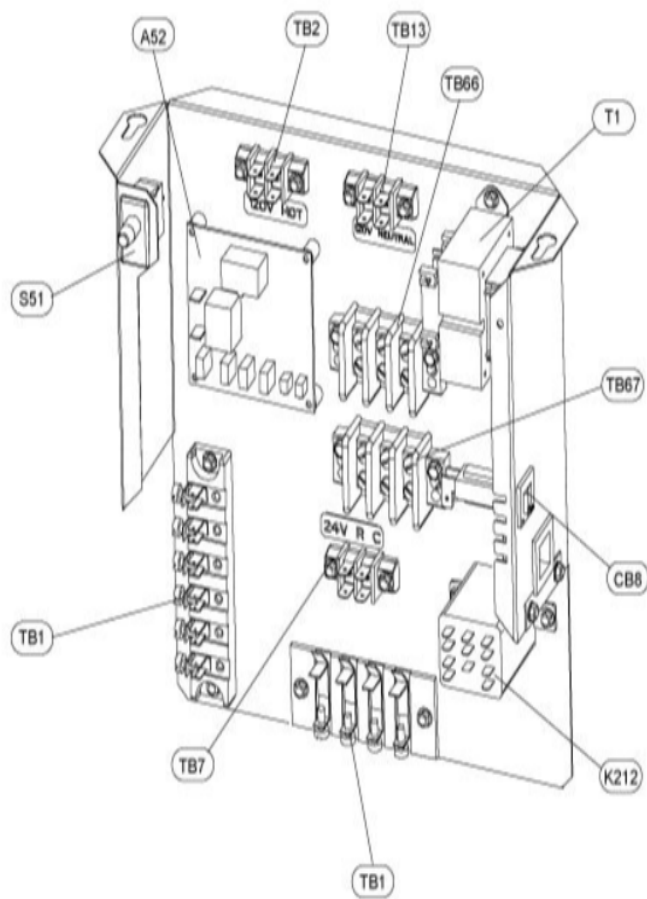
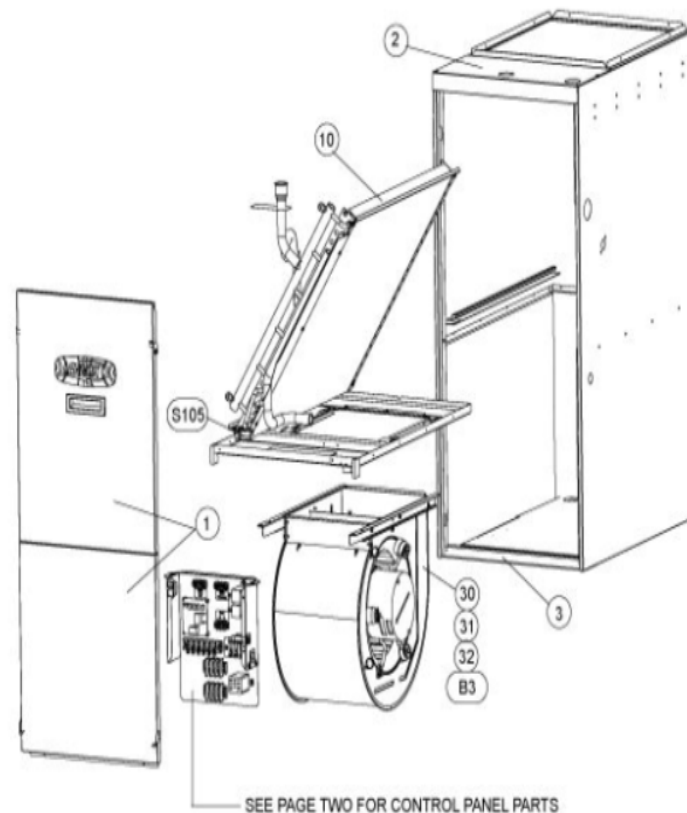


COILS/BLOWER COILS  
OCTOBER, 2005

### CBWMV CONTROL PANEL



### CBWMV SERIES



Revision Number - 2

## \*OPTIONAL PARTS-FIELD INSTALLED

Callout	Name	Quantity	Description
	VENT-AIR BLEED Cat #: 29K49 Model/Part #: 29K4901	1	"3/4" ""
	VENT-AIR BLEED Cat #: 29K50 Model/Part #: 29K5001	1	"1" ""
	VALVE-CHECK Cat #: 66J62 Model/Part #: 66J6201	1	VALVE-INLINE CHECK
	ADAPTER Cat #: P-8-4556 Model/Part #: P-8-4556	2	ADAPTOR, WROT COPPER
ANTI-S	ANTI SIPHON KIT Cat #: 73J84 Model/Part #: LB-68561A	2	ANTI SIPHON KIT

## BLOWER PARTS FOR 24B BLOWER

Callout	Name	Quantity	Description
	611408-01 ASSY MODULE - MOTOR Cat #: 10M09 Model/Part #: 10M09	1	611408-01 ASSY MODULE - MOTOR
	MOUNT-MOTOR Cat #: 18M69 Model/Part #: 18M6901	1	"L/ WASHERS, GROMMETS & SLEEVES"
	KIT-BLOWER Cat #: 71M48 Model/Part #: LB-107597	1	"MOUNTING HARDWARE (6 EA WASHERS, GROM
30	HOUSING-BLOWER Cat #: 57M87 Model/Part #: LB-94726J	1	ASSY-BLOWER (REPAIR PARTS)
31	WHEEL-BLOWER Cat #: 89J10 Model/Part #: LB-29333BCG	1	"1/2" BORE, 10" X 8" ""
32	PLATE-CUTOFF Cat #: 81L90 Model/Part #: LB-94535	1	PLATE-CUTOFF
B3	610588-01 MTR-BLR 5.0(Mod sold separate) Cat #: 10B66 Model/Part #: 10B66	1	MOTOR-BLOWER 1/2HP, VARI RPM, 120/60/1

**CABINET PARTS**

<b>Callout</b>	<b>Name</b>	<b>Quantity</b>	<b>Description</b>
	HANDLE-DOOR Cat #: 90M98 Model/Part #: 100296-01	1	DOOR
	FILTER-AIR Cat #: 97H06 Model/Part #: 97H0601	1	"18" X 25" X 1"
1	PANEL-SET Cat #: 90M55 Model/Part #: LB-74702C	1	COIL & BLR ACCESS SET W/ HANDLE
2	REPLACEMENT TOP CAP Cat #: 92M81 Model/Part #: LB-74704C	1	TOP
3	PANEL Cat #: 99L96 Model/Part #: LB-91462A	1	BOTTOM

**CONTROL PANEL PARTS**

<b>Callout</b>	<b>Name</b>	<b>Quantity</b>	<b>Description</b>
	HARNESS-WIRING Cat #: 27M25 Model/Part #: LB-100797	1	POWER 5 PIN (MOTOR)
	HARNESS-WIRING Cat #: 12W22 Model/Part #: LB-74818	1	CONTROL 16 PIN (MOTOR)
	HARNESS-WIRING Cat #: 12W23 Model/Part #: LB-74819	1	3 WIRE (FIELD MAKE UP BOX)
A52	40K8201 CTL BDC3-1 Cat #: 40K82 Model/Part #: 40K82	1	40K8201 CTL BDC3- 1
CB8	BREAKER-CIRCUIT Cat #: 26W34 Model/Part #: 100597-01	1	SWITCH-CIRCUIT BREAKER
K212	RELAY Cat #: 67K66 Model/Part #: 67K6601	1	"3PDT, 24V"
S51	SWITCH Cat #: 51W15 Model/Part #: 102317-01	1	SWITCH-INTERLOCK
T1	TRANSFORMER Cat #: 42J32 Model/Part #: 42J3201	1	TRANSFORMER
TB1	STRIP-TERMINAL	1	4 POSITION

<b>Callout</b>	<b>Name</b>	<b>Quantity</b>	<b>Description</b>
	Cat #: 95M40 Model/Part #: 100615-04		
TB1	STRIP-TERMINAL Cat #: 95M41 Model/Part #: 100615-06	1	6 POSITION
TB13	STRIP-TERMINAL Cat #: 31L16 Model/Part #: 31L1601	1	2 POSITION
TB2	STRIP-TERMINAL Cat #: 31L16 Model/Part #: 31L1601	1	2 POSITION
TB66	STRIP-TERMINAL Cat #: 86H69 Model/Part #: 86H6901	1	3 POSITION
TB67	STRIP-TERMINAL Cat #: 86H69 Model/Part #: 86H6901	1	3 POSITION
TB7	STRIP-TERMINAL Cat #: 31L16 Model/Part #: 31L1601	1	2 POSITION

## HEATING PARTS

<b>Callout</b>	<b>Name</b>	<b>Quantity</b>	<b>Description</b>
	CORE-VALVE Cat #: 95M48 Model/Part #: 100210-01	2	CORE - VALVE
	CAP-SEAL Cat #: 63K08 Model/Part #: 63K0801	2	CAP-1/4 in. FLARE SEAL
	PRESS TAP FITTING Cat #: 63K09 Model/Part #: 63K0901	2	FITTING - PRESS TAP
	SUPPORT Cat #: 71M40 Model/Part #: LB-74643	1	BOTTOM
	SUPPORT Cat #: 71M41 Model/Part #: LB-74644	1	TOP
10	COIL ASSY Cat #: 61M80 Model/Part #: LB-74703A	1	REPL COIL ASSY
S105	THERMOSTAT Cat #: 49K94 Model/Part #: 49K9401	1	"SPST OPEN 75F, CLOSE 45F"

**Note:**

There are no technical notes for this product.