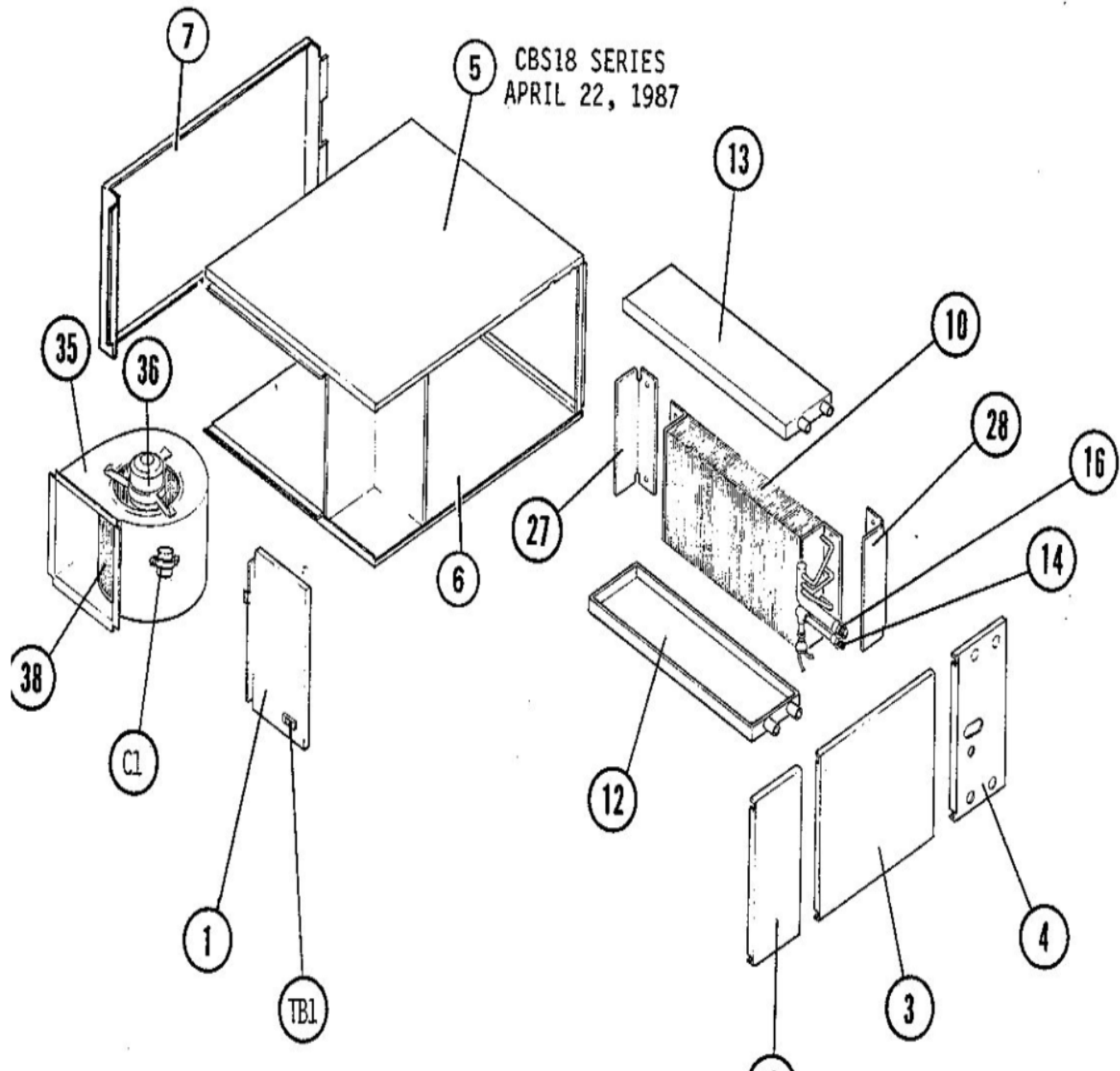


CBS18 SERIES
APRIL 22, 1987



Revision Number - 3

*OPTIONAL PARTS-FIELD INSTALLED

Callout	Name	Quantity	Description
	VALVE-EXPANSION Cat #: 25G82 Model/Part #: 25G8201	1	VALVE-EXP
	VALVE-EXPANSION Cat #: 43G02 Model/Part #: 43G0201	1	VALVE EXPANSION CK.

BLOWER PARTS

Callout	Name	Quantity	Description
	PLATE-CUTOFF Cat #: 46G30 Model/Part #: LB-15558D	1	PLATE-CUT OFF (12 x 9)
	MOUNT-MOTOR Cat #: 11G61 Model/Part #: LB-52637DA	3	FRAME
	MOUNT-MTR Cat #: 11G74 Model/Part #: LB-53536C	3	FRAME(INTL ONLY)
35	HOUSING-BLOWER Cat #: 46G29 Model/Part #: LB-51184CD	1	BLOWER SA
36	MOTOR-BLOWER Cat #: 49C10 Model/Part #: 49C1001	1	"1HP,1020RPM,220-240/50/1 (INTL)(FOOTNOT
36	MOTOR-BLOWER Cat #: 78F92 Model/Part #: 78F9201	1	"3/4HP,1075RPM,208-230/60/1"
38	WHEEL-BLOWER Cat #: 10G44 Model/Part #: 82F7601	1	"1/2"BORE,11-1/2"X9"
C1	CAPACITOR Cat #: 81A40 Model/Part #: 81A4001	1	"10MFD,370VAC(208/230V)"
C1	CAPACITOR-BLO MTR Cat #: 81A51 Model/Part #: 81A5101	1	"20MFD,440VAC(INTL ONLY)"

CABINET PARTS

Callout	Name	Quantity	Description
1	CAP-CABINET Cat #: 67H53 Model/Part #: LB-56459C	1	CABINET CAP.
2	PANEL Cat #: 90G70 Model/Part #: LB-51740CD	1	HEAT SECTION(208/230V & 220/240V)
3	PANEL Cat #: 62G47 Model/Part #: LB-51788CB	1	BLOWER
4	PANEL Cat #: 70G09 Model/Part #: LB-52551CA	1	PLUMBING
5	WRAPPER Cat #: 94G06 Model/Part #: LB-51173CF	1	TOP
6	WRAPPER Cat #: 94G07 Model/Part #: LB-51174CF	1	BOTTOM
7	PANEL Cat #: 39G15 Model/Part #: LB-51176CF	1	SIDE

COOLING PARTS

Callout	Name	Quantity	Description
	RELAY Cat #: 45A02 Model/Part #: 45A0201	1	"(K1)I.D.BLOWER-SPDT,24V (208/230V & 220
	TRANSFORMER Cat #: 13H28 Model/Part #: 75A7901	1	"(T1)208/230V PRI,24V SEC, 50VA W/FUSE"
	FITTING PRESS TAP Cat #: 86G64 Model/Part #: 86G6401	1	FITTING, PRESSURE TAP
	FUSE Cat #: 99C09 Model/Part #: 99C0901	1	"GMA TYPE,3.15AMP,250V (INTL ONLY)"
	TRANSFORMER Cat #: 99C10 Model/Part #: 99C1001	1	"(T1)240VPRI,24VSEC,60VA L/FUSE(INTL ONL
	HOLDER-FUSE Cat #: 99C32 Model/Part #: 99C3201	1	(INTL ONLY)
	SHIELD-DRIP Cat #: 27G77 Model/Part #: LB-53090C	1	DRAIN PAN BETWEN BLOWER & COIL

Callout	Name	Quantity	Description
	SEAL-COIL Cat #: LB-78677C Model/Part #: LB-78677C	1	BOTTOM
	SEAL-COIL Cat #: LB-78678C Model/Part #: LB-78678C	1	TOP
	DISTRIBUTOR ASSY Cat #: 15J99 Model/Part #: LB-78882E	1	DIST ASSY
	TRANSFORMER Cat #: 66573 Model/Part #: P-8-1306	1	"(T1)440V PRI,24V SEC,50VA W/FUSE"
	FUSE Cat #: 66247 Model/Part #: P-8-1674	1	"C TYPE,2.5AMP,250V"
	NUT Cat #: P-8-3119 Model/Part #: P-8-3119	1	FLARE
	CAP-SEAL Cat #: 58114 Model/Part #: P-8-3187	1	CAP, BRASS
	BLOCK-TERMINAL Cat #: 38674 Model/Part #: P-8-9957	1	(TB2)LOCATED-BLOWER DECK
10	COIL-INDOOR Cat #: 34G63 Model/Part #: LB-52617BA	1	"W/MANIFOLD,DIST ASSY"
12	PAN-DRAIN Cat #: 92G46 Model/Part #: LB-52561CA	1	"METAL-FROM FRONT,SERVICE LINES ARE ON R
12	PAN-DRAIN Cat #: 85G06 Model/Part #: LB-58248B	1	"PLASTIC(ALT)FROM FRONT, SERVICE LINES A
13	PAN-DRAIN Cat #: 92G47 Model/Part #: LB-52559CA	1	"METAL-FROM FRONT,SERVICE LINES ARE ON L
13	PAN-DRAIN Cat #: 85G07 Model/Part #: LB-58249B	1	"PLASTIC(ALT)FROM FRONT, SERVICE LINES A
27	SHIELD-DRIP Cat #: LB-78676B Model/Part #: LB-78676B	1	RIGHT
28	SHIELD-DRIP	1	RIGHT

Callout	Name	Quantity	Description
	Cat #: LB-78676B Model/Part #: LB-78676B		
TB1	BLOCK-TERMINAL Cat #: 42F50 Model/Part #: 42F5001	1	LOCATED-CAB CAP

Note:

Note1: IF LB-34792BC CHECK VALVE KIT WAS USED ORDER 15B4201 EXPANSION VALVE.

Note2: IF LB-34792BD CHECK VALVE KIT WAS USED ORDER 62A4801 EXPANSION VALVE.

Note3: THIS MOTOR IS NO LONGER AVAILABLE. FOR REPLACEMENT ORDER LB-90469B(CAT#62K71) MOTOR REPLACEMENT KIT WHICH CONTAINS THE FOLLOWING PARTS: 41K8601 MOTOR LB-90296 MOUNT-MOTOR LB-90468 HARNESS THIS WILL CONVERT THE MOTOR FROM GE TO EMERSON. ONCE T