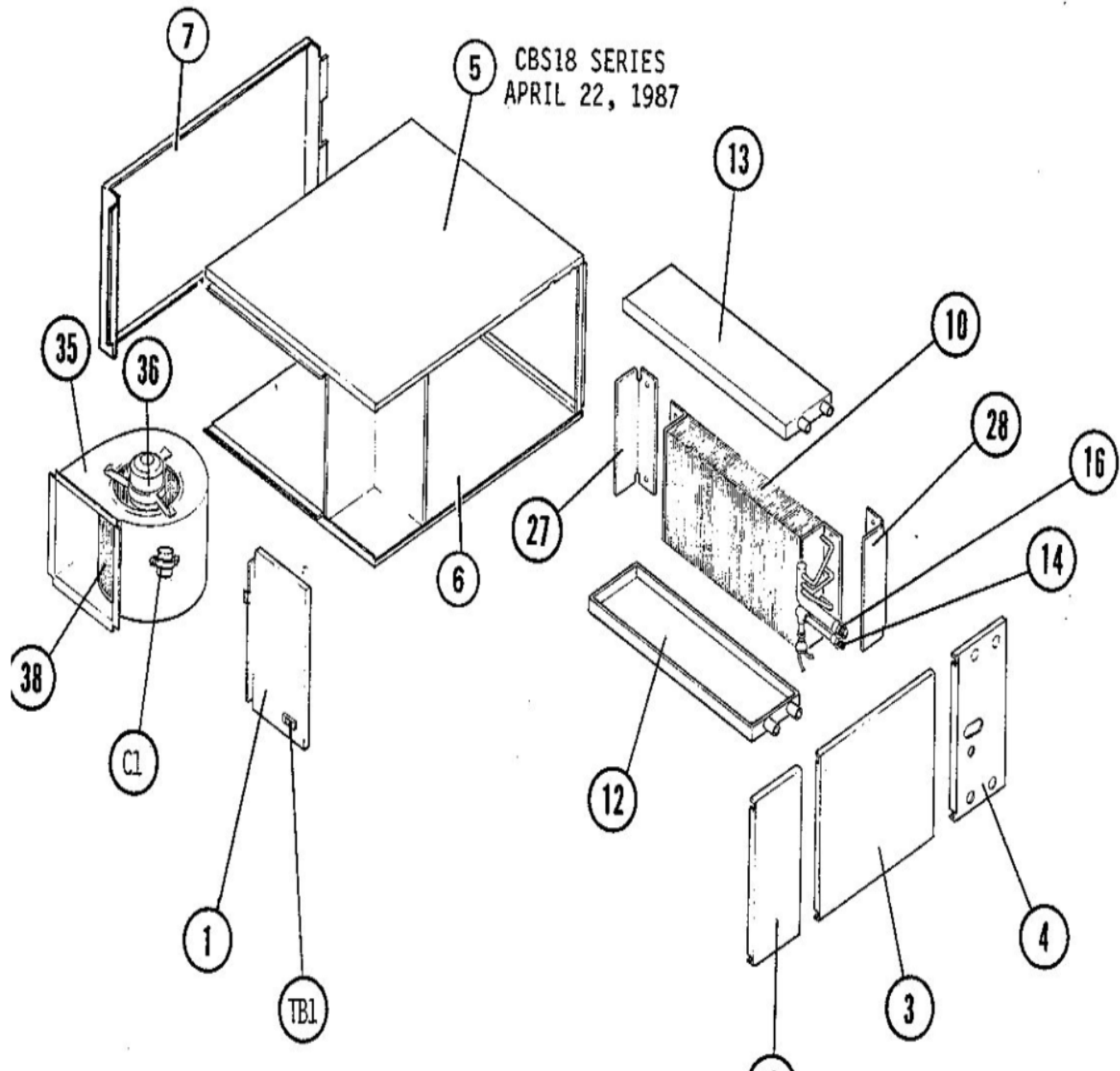


CBS18 SERIES  
APRIL 22, 1987



Revision Number - 3

## \*OPTIONAL PARTS-FIELD INSTALLED

Callout	Name	Quantity	Description
	VALVE-EXPANSION Cat #: 25G82 Model/Part #: 25G8201	1	VALVE-EXP
	VALVE-EXPANSION Cat #: 36G98 Model/Part #: 36G9801	1	VALVE-EXP

## BLOWER PARTS

Callout	Name	Quantity	Description
	PLATE-CUTOFF Cat #: 39A23 Model/Part #: LB-19044D	1	CUTOFF PLATE
	BAND-MOTOR Cat #: LB-75126D Model/Part #: LB-75126D	1	(INTL ONLY)
	ARM-MOTOR MTG Cat #: 87243 Model/Part #: P-8-9829	3	(INTL ONLY)
	MOUNT-MOTOR Cat #: 86851 Model/Part #: P-8-9967	3	MOTOR MOUNT(INTL ONLY)
35	HOUSING-BLOWER Cat #: 60G84 Model/Part #: LB-51184CE	1	BLOWER SA
35	HOUSING-BLOWER Cat #: 90G88 Model/Part #: LB-51184CJ	1	(INTL ONLY)
36	MOTOR-BLOWER Cat #: 15B45 Model/Part #: 15B4501	1	"1/2HP,1350RPM,220-240/50/1"
36	MOTOR-BLOWER Cat #: 78F90 Model/Part #: 78F9001	1	"1/2HP,1075RPM,208-230/60/1 W/MOUNTS"
38	WHEEL-BLOWER Cat #: 21707 Model/Part #: P-5-219	1	"1/2""BORE,9-1/2""X9-1/2""
C1	CAPACITOR Cat #: 81A39 Model/Part #: 81A3901	1	"7MFD,370VAC(INTL ONLY)"
C1	CAPACITOR	1	"10MFD,370VAC"

Callout	Name	Quantity	Description
	Cat #: 81A40 Model/Part #: 81A4001		

## CABINET PARTS

Callout	Name	Quantity	Description
1	CAP-CABINET Cat #: 67H53 Model/Part #: LB-56459C	1	CABINET CAP.
2	PANEL Cat #: 90G70 Model/Part #: LB-51740CD	1	HEAT SECTION(208/230V & 220/240V)
3	PANEL Cat #: 62G47 Model/Part #: LB-51788CB	1	BLOWER
4	PANEL Cat #: 70G09 Model/Part #: LB-52551CA	1	PLUMBING
5	WRAPPER Cat #: 90G68 Model/Part #: LB-51173CG	1	TOP
6	WRAPPER Cat #: 99G80 Model/Part #: LB-51174CG	1	BOTTOM
7	PANEL Cat #: 64G90 Model/Part #: LB-51176CG	1	SIDE

## COOLING PARTS

Callout	Name	Quantity	Description
	TRANSFORMER Cat #: 13H28 Model/Part #: 75A7901	1	"(T1)208/230V PRI,24V SEC, 50VA W/FUSE"
	FITTING PRESS TAP Cat #: 86G64 Model/Part #: 86G6401	1	FITTING, PRESSURE TAP
	FUSE Cat #: 99C09 Model/Part #: 99C0901	1	"GMA TYPE,3.15 AMP,250V (INTL ONLY)"
	TRANSFORMER Cat #: 99C10 Model/Part #: 99C1001	1	"(T1)240VPRI,24VSEC,60VA (INTL ONLY)"
	HOLDER-FUSE Cat #: 99C32 Model/Part #: 99C3201	1	(INTL ONLY)

Callout	Name	Quantity	Description
	SEAL-COIL Cat #: LB-78677C Model/Part #: LB-78677C	1	BOTTOM
	SEAL-COIL Cat #: LB-78678C Model/Part #: LB-78678C	1	TOP
	DISTRIBUTOR ASSY Cat #: 15J98 Model/Part #: LB-78882D	1	DIST ASSY
	RELAY Cat #: 66C67 Model/Part #: P-8-10283	1	"(K1)I.D.BLOWER-DPDT,24V (208/230V & 220
	TRANSFORMER Cat #: 66573 Model/Part #: P-8-1306	1	"(T1)440V PRI,24V SEC,50VA W/FUSE"
	FUSE Cat #: 66247 Model/Part #: P-8-1674	1	"C TYPE,2.5AMP,250V"
	CAP-SEAL Cat #: 58114 Model/Part #: P-8-3187	1	CAP, BRASS
	BLOCK-TERMINAL Cat #: 38674 Model/Part #: P-8-9957	1	(TB2)LOCATED-BLOWER DECK
10	COIL-INDOOR Cat #: 44G60 Model/Part #: LB-52617BB	1	"W/MANIFOLD,DIST ASSY"
12	PAN-DRAIN Cat #: 92G46 Model/Part #: LB-52561CA	1	"METAL-FROM FRONT,SERVICE LINES ARE ON R
12	PAN-DRAIN Cat #: 85G06 Model/Part #: LB-58248B	1	"PLASTIC(ALT)FROM FRONT, SERVICE LINES A
13	PAN-DRAIN Cat #: 92G47 Model/Part #: LB-52559CA	1	"METAL-FROM FRONT,SERVICE LINES ARE ON L
13	PAN-DRAIN Cat #: 85G07 Model/Part #: LB-58249B	1	"PLASTIC(ALT)FROM FRONT, SERVICE LINES A
14	NUT Cat #: P-8-3119 Model/Part #: P-8-3119	1	FLARE
16	ADAPTER	1	ADAPTOR

<b>Callout</b>	<b>Name</b>	<b>Quantity</b>	<b>Description</b>
	Cat #: 16A16 Model/Part #: P-8-8728		
27	SHIELD-DRIP Cat #: LB-78676B Model/Part #: LB-78676B	1	LEFT
28	SHIELD-DRIP Cat #: LB-78676B Model/Part #: LB-78676B	1	LEFT
TB1	BLOCK-TERMINAL Cat #: 42F50 Model/Part #: 42F5001	1	LOCATED-CAB CAP

**Note:**

Note1: IF LB-34792BD CHECK VALVE KIT WAS USED ORDER 62A4801 EXPANSION VALVE.

Note2: IF LB-34792BC CHECK VALVE KIT WAS USED ORDER 15B4201 EXPANSION VALVE.