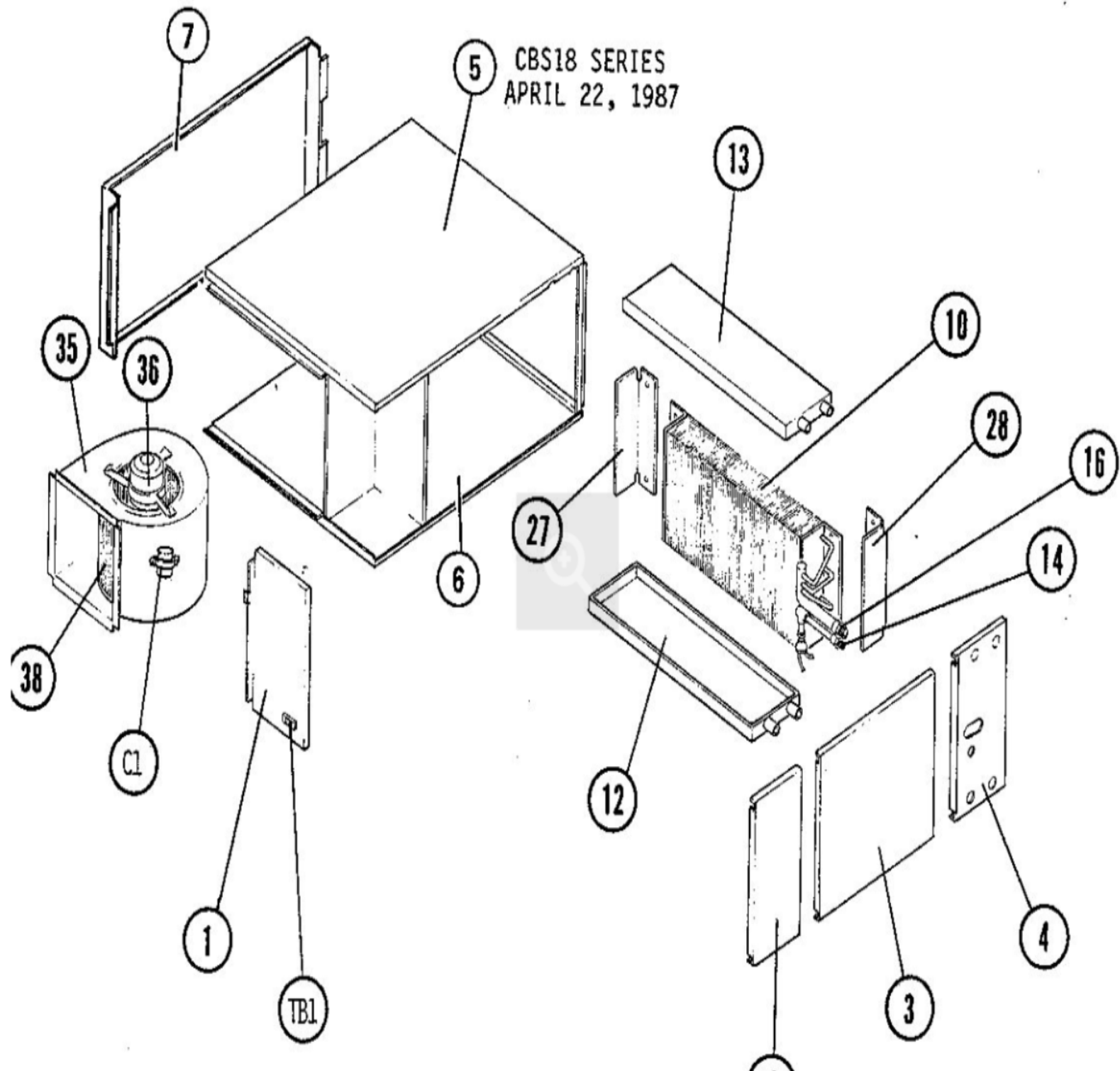


CBS18 SERIES  
APRIL 22, 1987



Revision Number - 1

## \*OPTIONAL PARTS-FIELD INSTALLED

Callout	Name	Quantity	Description
	VALVE-EXPANSION Cat #: 36G98 Model/Part #: 36G9801	1	VALVE-EXP

## BLOWER PARTS

Callout	Name	Quantity	Description
	PLATE-CUTOFF Cat #: 39A23 Model/Part #: LB-19044D	1	CUTOFF PLATE
	ARM-MOTOR MTG Cat #: 53740 Model/Part #: LB-42049CB	3	(277V UNITS ONLY)
	BAND-MOTOR Cat #: LB-75126D Model/Part #: LB-75126D	1	(277V UNITS ONLY)
35	HOUSING-BLOWER Cat #: 32G72 Model/Part #: LB-51184CB	1	BLOWER S.A.
35	HOUSING-BLOWER Cat #: LB-51184CG Model/Part #: LB-51184CG	1	(277V UNITS ONLY)
36	MOTOR-BLOWER Cat #: 25G52 Model/Part #: 67F0701	1	"1/3HP,1075RPM,208-230/60/1, W/MOUNTS"
36	MOTOR-BLOWER Cat #: 69C74 Model/Part #: 69C7401	1	"1/4HP,1075RPM,277/60/1, LESS MOUNTS(277
36	MOTOR-BLOWER Cat #: 72F57 Model/Part #: 72F5701	1	"1/3HP,1350RPM,220-240/50/1, W/MOUNTS (I
38	WHEEL-BLOWER Cat #: 21707 Model/Part #: P-5-219	1	"9-1/2""X 9-1/2"" ,1/2""BORE"
C1	CAPACITOR-FAN MTR Cat #: 53H02 Model/Part #: 81A3801	1	"5MFD,370VAC"
C1	CAPACITOR Cat #: 81A39 Model/Part #: 81A3901	1	"7MFD,370VAC (INTL & 277V UNITS ONLY)"

**CABINET PARTS**

<b>Callout</b>	<b>Name</b>	<b>Quantity</b>	<b>Description</b>
1	CAP-CABINET Cat #: 25G65 Model/Part #: LB-51755C	1	CABINET CAP
2	PANEL Cat #: 25G64 Model/Part #: LB-51740CB	1	HEAT SECTION
3	PANEL Cat #: 25G63 Model/Part #: LB-51788CA	1	BLOWER
4	PANEL Cat #: 92G44 Model/Part #: LB-51239CC	1	PLUMBING
5	WRAPPER Cat #: 97G15 Model/Part #: LB-51173CD	1	TOP
6	WRAPPER Cat #: 97G16 Model/Part #: LB-51174CD	1	BOTTOM
7	PANEL Cat #: 12G80 Model/Part #: LB-51176CD	1	SIDE

**COOLING PARTS**

<b>Callout</b>	<b>Name</b>	<b>Quantity</b>	<b>Description</b>
	TRANSFORMER Cat #: 25G37 Model/Part #: 25G3701	1	"(T1),230VPRI,24VSEC,45VA, NO FUSE"
	TRANSFORMER Cat #: 82F7001 Model/Part #: 82F7001	1	"(T1)277VPRI,24VSEC,45VA, NO FUSE(277V U
	FITTING PRESS TAP Cat #: 86G64 Model/Part #: 86G6401	1	FITTING, PRESSURE TAP
	FUSE Cat #: 99C09 Model/Part #: 99C0901	1	"TRANSF,TYPE GMA,3.15AMP,250V, (INTL ONL
	TRANSFORMER Cat #: 99C10 Model/Part #: 99C1001	1	"(T1),240VPRI,24VSEC,60VA, NO FUSE (INTL
	HOLDER-FUSE Cat #: 99C32 Model/Part #: 99C3201	1	(INTL ONLY)

<b>Callout</b>	<b>Name</b>	<b>Quantity</b>	<b>Description</b>
	SEAL-COIL Cat #: LB-51762C Model/Part #: LB-51762C	1	TOP
	SEAL-COIL Cat #: LB-51763C Model/Part #: LB-51763C	1	BOTTOM
	SEAL-COIL Cat #: 33K99 Model/Part #: LB-51764CA	1	TOP (INTL ONLY)
	SEAL-COIL Cat #: 34K00 Model/Part #: LB-51766CA	1	BOTTOM (INTL ONLY)
	DISTRIBUTOR ASSY Cat #: 15J96 Model/Part #: LB-78882B	1	(INTL UNITS ONLY)
	DISTRIBUTOR ASSY Cat #: 15J97 Model/Part #: LB-78882C	1	DIST ASSY
	RELAY Cat #: 66C67 Model/Part #: P-8-10283	1	"(K1) I.D. BLOWER,DPDT,24V"
	CAP-SEAL Cat #: 58114 Model/Part #: P-8-3187	1	CAP, BRASS
	BLOCK-TERMINAL Cat #: 38674 Model/Part #: P-8-9957	1	"(TB2),LOCATED-BLOWER DECK"
10	COIL-INDOOR Cat #: 17G24 Model/Part #: LB-51802CA	1	"W/MANIFOLD, DIST ASSY (INTL ONLY)"
10	COIL-INDOOR Cat #: 32G73 Model/Part #: LB-51810CA	1	"W/MANIFOLD, DIST ASSY"
13- DEC	PAN-DRAIN Cat #: 49G81 Model/Part #: LB-51309CB	2	METAL
13- DEC	PAN-DRAIN Cat #: LB-51442C Model/Part #: LB-51442C	2	PLASTIC(ALTERNATE)
14	NUT Cat #: P-8-3119 Model/Part #: P-8-	1	FLARE

<b>Callout</b>	<b>Name</b>	<b>Quantity</b>	<b>Description</b>
	3119		
16	ADAPTER Cat #: 68676 Model/Part #: P-8-2577	1	"3/4" F TO 3/4" S"
27	SHIELD-DRIP Cat #: 74G18 Model/Part #: LB-51758C	1	LEFT
27	SHIELD-DRIP Cat #: 16J38 Model/Part #: LB-51761C	1	LEFT (INTL ONLY)
28	SHIELD-DRIP Cat #: 74G19 Model/Part #: LB-51759C	1	RIGHT
28	SHIELD-DRIP Cat #: 16J00 Model/Part #: LB-51760C	1	RIGHT (INTL ONLY)
TB1	BLOCK-TERMINAL Cat #: 42F50 Model/Part #: 42F5001	1	LOCATED-CAB CAP

**Note:**

Note1: IF LB-34792BB CHECK VALVE KIT WAS USED ORDER 62A4901 EXPANSION VALVE.