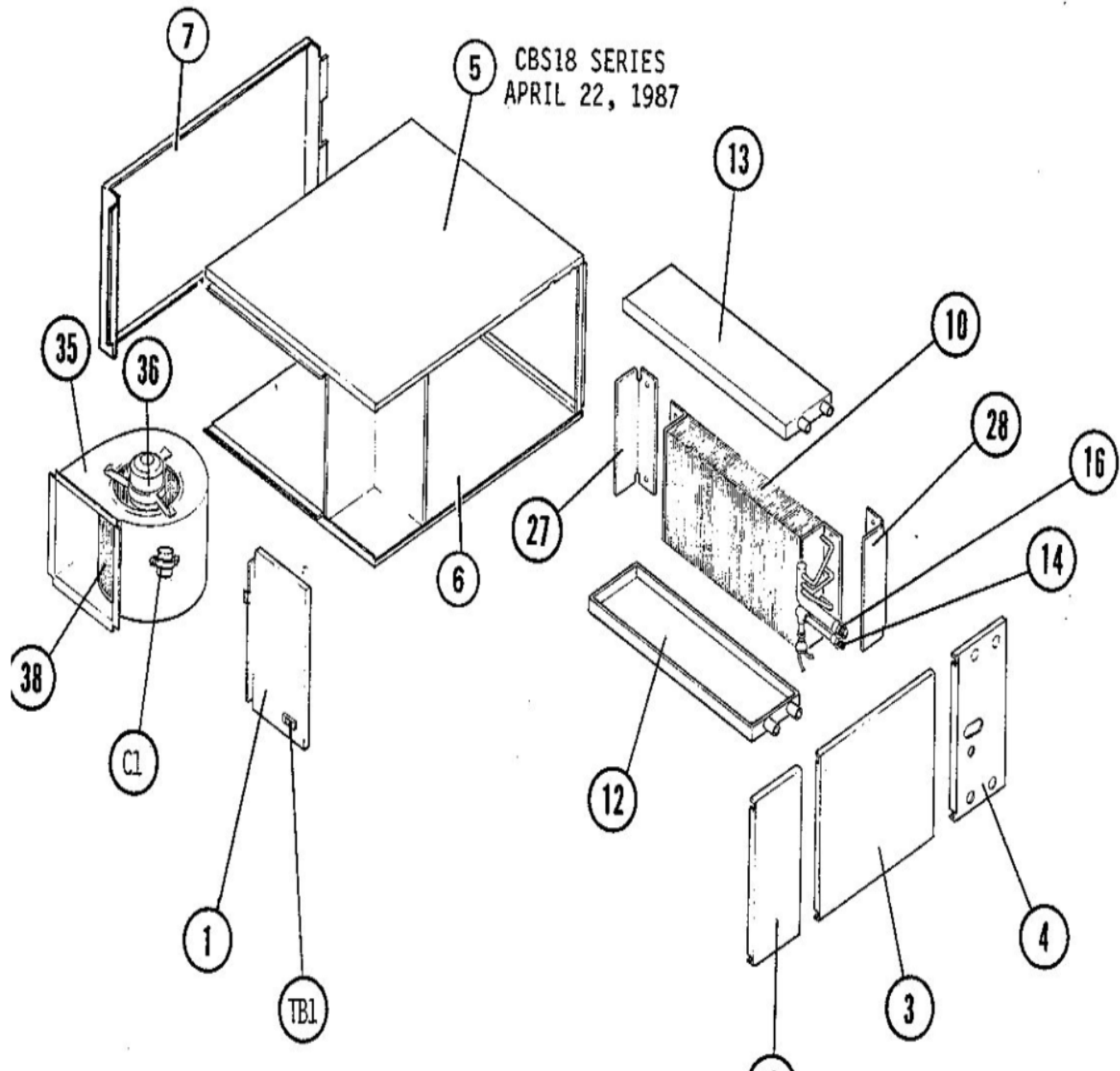


CBS18 SERIES  
APRIL 22, 1987



Revision Number - 3

## \*OPTIONAL PARTS-FIELD INSTALLED

Callout	Name	Quantity	Description
	VALVE-EXPANSION Cat #: 25G81 Model/Part #: 25G8101	1	VALVE EXP/CK
	VALVE-EXPANSION Cat #: 36G98 Model/Part #: 36G9801	1	VALVE-EXP

## BLOWER PARTS

Callout	Name	Quantity	Description
	PLATE-CUTOFF Cat #: 39A23 Model/Part #: LB-19044D	1	CUTOFF PLATE
	ARM-MOTOR MTG Cat #: 53740 Model/Part #: LB-42049CB	3	(277V UNITS ONLY)
	BAND-MOTOR Cat #: LB-75126D Model/Part #: LB-75126D	1	(277V UNITS ONLY)
35	HOUSING-BLOWER Cat #: 32G72 Model/Part #: LB-51184CB	1	BLOWER S.A.
35	HOUSING-BLOWER Cat #: LB-51184CG Model/Part #: LB-51184CG	1	(277V UNITS ONLY)
36	MOTOR-BLOWER Cat #: 25G52 Model/Part #: 67F0701	1	"1/3HP,1075RPM,208-230/60/1, W/MOUNTS"
36	MOTOR-BLOWER Cat #: 69C74 Model/Part #: 69C7401	1	"1/4HP,1075RPM,277/60/1, LESS MOUNTS(277
38	WHEEL-BLOWER Cat #: 21707 Model/Part #: P-5-219	1	"9-1/2""X 9-1/2"" ,1/2""BORE"
C1	CAPACITOR-FAN MTR Cat #: 53H02 Model/Part #: 81A3801	1	"5MFD,370VAC"
C1	CAPACITOR Cat #: 81A39 Model/Part #: 81A3901	1	"7MFD,370VAC(277V UNITS ONLY)"

**CABINET PARTS**

<b>Callout</b>	<b>Name</b>	<b>Quantity</b>	<b>Description</b>
1	CAP-CABINET Cat #: 25G65 Model/Part #: LB-51755C	1	CABINET CAP
2	PANEL Cat #: 25G64 Model/Part #: LB-51740CB	1	HEAT SECTION
3	PANEL Cat #: 25G63 Model/Part #: LB-51788CA	1	BLOWER
4	PANEL Cat #: 25G62 Model/Part #: LB-51239CB	1	PLUMBING
5	WRAPPER Cat #: 97G15 Model/Part #: LB-51173CD	1	TOP
6	WRAPPER Cat #: 97G16 Model/Part #: LB-51174CD	1	BOTTOM
7	PANEL Cat #: 12G80 Model/Part #: LB-51176CD	1	SIDE

**COOLING PARTS**

<b>Callout</b>	<b>Name</b>	<b>Quantity</b>	<b>Description</b>
	TRANSFORMER Cat #: 25G37 Model/Part #: 25G3701	1	"(T1),230VPRI,24VSEC,45VA, NO FUSE"
	TRANSFORMER Cat #: 82F7001 Model/Part #: 82F7001	1	"(T1)277VPRI,24VSEC,45VA, NO FUSE(277V U
	FITTING PRESS TAP Cat #: 86G64 Model/Part #: 86G6401	1	FITTING, PRESSURE TAP
	SEAL-COIL Cat #: 33K99 Model/Part #: LB- 51764CA	1	TOP
	SEAL-COIL Cat #: 34K00 Model/Part #: LB- 51766CA	1	BOTTOM
	DISTRIBUTOR ASSY Cat #: 15J96 Model/Part #: LB-78882B	1	DIST ASSY

<b>Callout</b>	<b>Name</b>	<b>Quantity</b>	<b>Description</b>
	RELAY Cat #: 66C67 Model/Part #: P-8-10283	1	"(K1) I.D.BLOWER,DPDT,24V"
	CAP-SEAL Cat #: 58114 Model/Part #: P-8-3187	1	CAP, BRASS
	BLOCK-TERMINAL Cat #: 38674 Model/Part #: P-8-9957	1	"(TB2),LOCATED-BLOWER DECK"
10	COIL-INDOOR Cat #: 17G24 Model/Part #: LB-51802CA	1	"W/MANIFOLD,DIST ASSY"
13-DEC	PAN-DRAIN Cat #: 49G81 Model/Part #: LB-51309CB	2	METAL
13-DEC	PAN-DRAIN Cat #: 85G05 Model/Part #: LB-58247C	2	PLASTIC(ALTERNATE)
14	NUT Cat #: P-8-3119 Model/Part #: P-8-3119	1	FLARE
16	ADAPTER Cat #: 68676 Model/Part #: P-8-2577	1	"3/4""F TO 3/4""S"
27	SHIELD-DRIP Cat #: 16J38 Model/Part #: LB-51761C	1	LEFT
28	SHIELD-DRIP Cat #: 16J00 Model/Part #: LB-51760C	1	RIGHT
TB1	BLOCK-TERMINAL Cat #: 42F50 Model/Part #: 42F5001	1	LOCATED-CAB CAP

**Note:**

Note1: IF LB-34792BB CHECK VALVE KIT WAS USED ORDER 62A4901 EXPANSION VALVE.

Note2: IF LB-34792BA CHECK VALVE KIT WAS USED ORDER 62A3701 EXPANSION VALVE.

Note3: DASH 4 UNITS ONLY 1000 PRODUCED PER ED-19117.