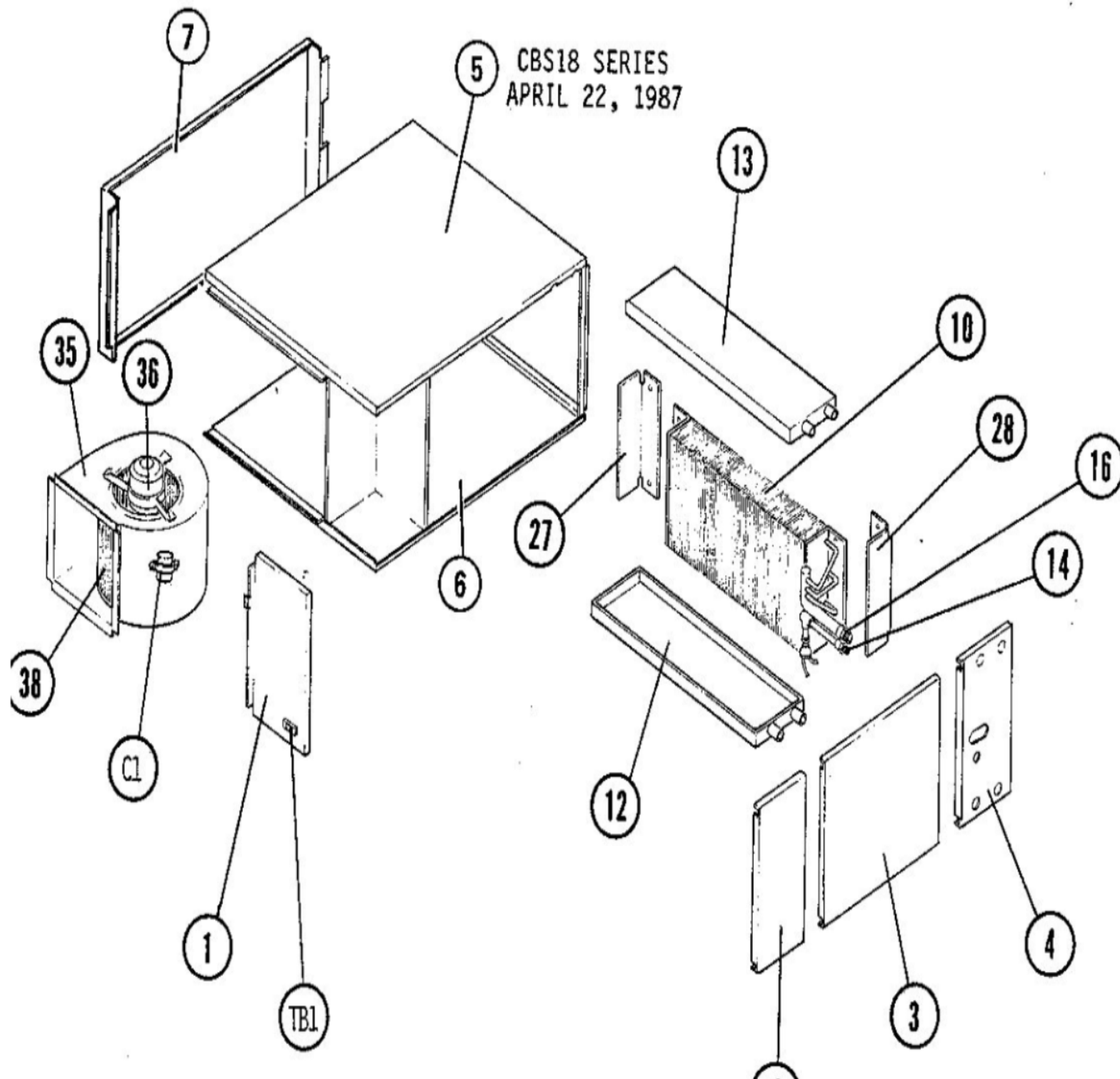


CBS18 SERIES
APRIL 22, 1987



Revision Number - 1

*OPTIONAL PARTS-FIELD INSTALLED

| Callout | Name | Quantity | Description |
|---------|---|----------|--------------|
| | VALVE-EXPANSION Cat #: 25G81 Model/Part #: 25G8101 | 1 | VALVE EXP/CK |
| | VALVE-EXPANSION Cat #: 36G98 Model/Part #: 36G9801 | 1 | VALVE-EXP |

BLOWER PARTS

| Callout | Name | Quantity | Description |
|---------|--|----------|--|
| | PLATE-CUTOFF Cat #: 39A23 Model/Part #: LB-19044D | 1 | CUTOFF PLATE |
| | ARM-MOTOR MTG Cat #: 53740 Model/Part #: LB-42049CB | 3 | (277V UNITS ONLY) |
| | BAND-MOTOR Cat #: LB-75126D Model/Part #: LB-75126D | 1 | (277V UNITS ONLY) |
| 35 | HOUSING-BLOWER Cat #: 32G72 Model/Part #: LB-51184CB | 1 | BLOWER S.A. |
| 35 | HOUSING-BLOWER Cat #: LB-51184CG Model/Part #: LB-51184CG | 1 | (277V UNITS ONLY) |
| 36 | MOTOR-BLOWER Cat #: 25G52 Model/Part #: 67F0701 | 1 | "1/3HP,1075RPM,208-230/60/1, W/MOUNTS" |
| 36 | MOTOR-BLOWER Cat #: 69C74 Model/Part #: 69C7401 | 1 | "1/4HP,1075RPM,277/60/1, LESS MOUNTS(277 |
| 38 | WHEEL-BLOWER Cat #: 21707 Model/Part #: P-5-219 | 1 | "9-1/2""X 9-1/2"" ,1/2""BORE" |
| C1 | CAPACITOR-FAN MTR Cat #: 53H02 Model/Part #: 81A3801 | 1 | "5MFD,370VAC" |
| C1 | CAPACITOR Cat #: 81A39 Model/Part #: 81A3901 | 1 | "7MFD,370VAC(277V UNITS ONLY)" |

CABINET PARTS

| Callout | Name | Quantity | Description |
|----------------|---|-----------------|--------------------|
| 1 | CAP-CABINET Cat #: 25G65 Model/Part #: LB-51755C | 1 | CABINET CAP |
| 2 | PANEL Cat #: 25G64 Model/Part #: LB-51740CB | 1 | HEAT SECTION |
| 3 | PANEL Cat #: 25G63 Model/Part #: LB-51788CA | 1 | BLOWER |
| 4 | PANEL Cat #: 25G62 Model/Part #: LB-51239CB | 1 | PLUMBING |
| 5 | WRAPPER Cat #: 97G15 Model/Part #: LB-51173CD | 1 | TOP |
| 6 | WRAPPER Cat #: 97G16 Model/Part #: LB-51174CD | 1 | BOTTOM |
| 7 | PANEL Cat #: 12G80 Model/Part #: LB-51176CD | 1 | SIDE |

COOLING PARTS

| Callout | Name | Quantity | Description |
|----------------|--|-----------------|---|
| | TRANSFORMER Cat #: 25G37 Model/Part #: 25G3701 | 1 | "(T1),230VPRI,24VSEC,45VA, NO FUSE" |
| | TRANSFORMER Cat #: 82F7001 Model/Part #: 82F7001 | 1 | "(T1)277VPRI,24VSEC,45VA, NO FUSE(277V U |
| | FITTING PRESS TAP Cat #: 86G64 Model/Part #: 86G6401 | 1 | FITTING, PRESSURE TAP |
| | SEAL-COIL Cat #: 33K99 Model/Part #: LB- 51764CA | 1 | TOP |
| | SEAL-COIL Cat #: 34K00 Model/Part #: LB- 51766CA | 1 | BOTTOM |
| | DISTRIBUTOR ASSY Cat #: 15J96 Model/Part #: LB-78882B | 1 | DIST ASSY |

| Callout | Name | Quantity | Description |
|----------------|---|-----------------|-----------------------------|
| | RELAY Cat #: 66C67 Model/Part #: P-8-10283 | 1 | "(K1) I.D.BLOWER,DPDT,24V" |
| | CAP-SEAL Cat #: 58114 Model/Part #: P-8-3187 | 1 | CAP, BRASS |
| | BLOCK-TERMINAL Cat #: 38674 Model/Part #: P-8-9957 | 1 | "(TB2),LOCATED-BLOWER DECK" |
| 10 | COIL-INDOOR Cat #: 17G24 Model/Part #: LB-51802CA | 1 | "W/MANIFOLD,DIST ASSY" |
| 13-DEC | PAN-DRAIN Cat #: 49G81 Model/Part #: LB-51309CB | 2 | METAL |
| 13-DEC | PAN-DRAIN Cat #: LB-51442C Model/Part #: LB-51442C | 2 | PLASTIC(ALTERNATE) |
| 14 | NUT Cat #: P-8-3119 Model/Part #: P-8-3119 | 1 | FLARE |
| 16 | ADAPTER Cat #: 68676 Model/Part #: P-8-2577 | 1 | "3/4""F TO 3/4""S" |
| 27 | SHIELD-DRIP Cat #: 16J38 Model/Part #: LB-51761C | 1 | LEFT |
| 28 | SHIELD-DRIP Cat #: 16J00 Model/Part #: LB-51760C | 1 | RIGHT |
| TB1 | BLOCK-TERMINAL Cat #: 42F50 Model/Part #: 42F5001 | 1 | LOCATED-CAB CAP |

Note:

Note1: IF LB-34792BB CHECK VALVE KIT WAS USED ORDER 62A4901 EXPANSION VALVE.

Note2: IF LB-34792BA CHECK VALVE KIT WAS USED ORDER 62A3701 EXPANSION VALVE.

Note3: DASH 4 UNITS ONLY 1000 PRODUCED PER ED-19117.