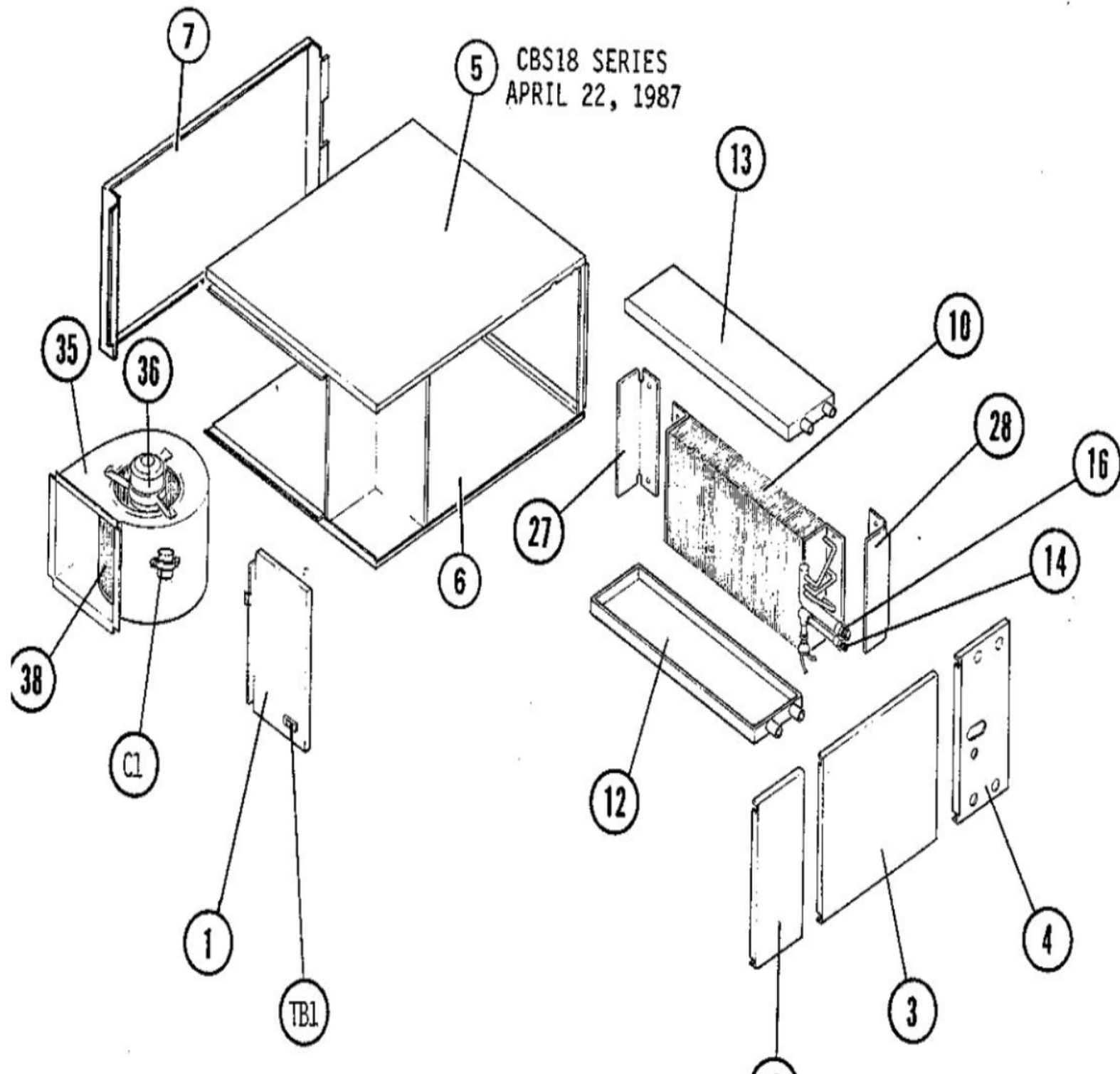


CBS18 SERIES
APRIL 22, 1987



Revision Number - 1

*OPTIONAL PARTS-FIELD INSTALLED

Callout	Name	Quantity	Description
	VALVE-EXPANSION Cat #: 25G81 Model/Part #: 25G8101	1	VALVE EXP/CK

BLOWER PARTS

Callout	Name	Quantity	Description
	ARM-MOTOR MTG Cat #: 53740 Model/Part #: LB-42049CB	3	(277V UNITS ONLY)
	PLATE-CUTOFF Cat #: 77H80 Model/Part #: LB-44707D	1	CUTOFF PLATE
	BAND-MOTOR Cat #: LB-75126D Model/Part #: LB-75126D	1	(277V UNITS ONLY)
35	HOUSING-BLOWER Cat #: 39G00 Model/Part #: LB-51184CA	1	HOUSING-BLOWER
35	HOUSING-BLOWER Cat #: LB-51184CF Model/Part #: LB-51184CF	1	(277V UNITS ONLY)
36	MOTOR-BLOWER Cat #: 42F49 Model/Part #: 42F4901	1	"1/6HP,1075RPM,208-230/60/1, W/MOUNTS"
36	MOTOR-BLOWER Cat #: 69C74 Model/Part #: 69C7401	1	"1/4HP,1075RPM,277/60/1, LESS MOUNTS(277
36	MOTOR-BLOWER Cat #: 72F57 Model/Part #: 72F5701	1	"1/3HP,1350RPM,220-240/50/1, W/MOUNTS (I
38	WHEEL-BLOWER 9 X 7 X1/2 Cat #: 32624 Model/Part #: P-5-172	1	"9-1/2""X 7-1/8"" ,1/2""BORE"
C1	CAPACITOR-FAN MTR Cat #: 53H02 Model/Part #: 81A3801	1	"5MFD,370VAC"
C1	CAPACITOR Cat #: 81A39 Model/Part #: 81A3901	1	"7MFD,370VAC (INTL & 277V UNITS ONLY)"

CABINET PARTS

Callout	Name	Quantity	Description
1	CAP-CABINET Cat #: 15J56 Model/Part #: LB-51237C	1	CAP,CABINET
3	PANEL Cat #: 73G10 Model/Part #: LB-51236CA	1	BLOWER
4	PANEL Cat #: 23H53 Model/Part #: LB-51239CA	1	PLUMBING
5	WRAPPER Cat #: 76H51 Model/Part #: LB-51173CB	1	TOP
6	WRAPPER Cat #: 82H02 Model/Part #: LB-51174CB	1	BOTTOM
7	PANEL Cat #: 82H03 Model/Part #: LB-51176CB	1	SIDE

COOLING PARTS

Callout	Name	Quantity	Description
	TRANSFORMER Cat #: 25G37 Model/Part #: 25G3701	1	"(T1),230VPRI,24VSEC,45VA, NO FUSE"
	TRANSFORMER Cat #: 82F7001 Model/Part #: 82F7001	1	"(T1)277VPRI,24VSEC,45VA, NO FUSE(277V U
	FITTING PRESS TAP Cat #: 86G64 Model/Part #: 86G6401	1	FITTING, PRESSURE TAP
	FUSE Cat #: 99C09 Model/Part #: 99C0901	1	"TRANSF,TYPE GMA,3.15AMP,240V, (INTL ONL
	TRANSFORMER Cat #: 99C10 Model/Part #: 99C1001	1	"(T1),240VPRI,24VSEC,60VA, NO FUSE (INTL
	HOLDER-FUSE Cat #: 99C32 Model/Part #: 99C3201	1	(INTL ONLY)
	SEAL-COIL Cat #: LB-51241C Model/Part #: LB-	1	TOP

Callout	Name	Quantity	Description
	51241C		
	SEAL-COIL Cat #: LB-51242C Model/Part #: LB-51242C	1	BOTTOM
	DISTRIBUTOR ASSY Cat #: 15J95 Model/Part #: LB-78882A	1	(INTL UNITS ONLY)
	DISTRIBUTOR ASSY Cat #: 15J97 Model/Part #: LB-78882C	1	DIST ASSY
	RELAY Cat #: 66C67 Model/Part #: P-8-10283	1	"(K1) I.D. BLOWER,DPDT,24V"
	CAP-SEAL Cat #: 58114 Model/Part #: P-8-3187	1	CAP, BRASS
	BLOCK-TERMINAL Cat #: 38674 Model/Part #: P-8-9957	1	"(TB2),LOCATED-BLOWER DECK"
10	COIL-INDOOR Cat #: 18G81 Model/Part #: LB-51081CA	1	"W/MANIFOLD, DIST ASSY (INTL ONLY)"
10	COIL-INDOOR Cat #: 87F03 Model/Part #: LB-51082CA	1	"W/MANIFOLD, DIST ASSY"
13- DEC	PAN-DRAIN Cat #: LB-51075C Model/Part #: LB-51075C	2	PLASTIC(ALTERNATE)
13- DEC	PAN-DRAIN Cat #: 95G50 Model/Part #: LB-51309CA	2	METAL
14	ADAPTER Cat #: 59351 Model/Part #: P-8-2510	1	"LIQUID LINE,3/8""F TO 3/8""S"
16	ADAPTER Cat #: 59352 Model/Part #: P-8-2690	1	"5/8""F TO 5/8""S"
27	SHIELD-DRIP Cat #: 47J34 Model/Part #: LB-51243C	1	LEFT
28	SHIELD-DRIP Cat #: 47J33 Model/Part #: LB-76748D	1	RIGHT

Callout	Name	Quantity	Description
TB1	BLOCK-TERMINAL Cat #: 42F50 Model/Part #: 42F5001	1	LOCATED-CAB CAP

Note:

Note1: IF LB-34792BA CHECK VALVE KIT WAS USED ORDER 62A3701 EXPANSION VALVE.