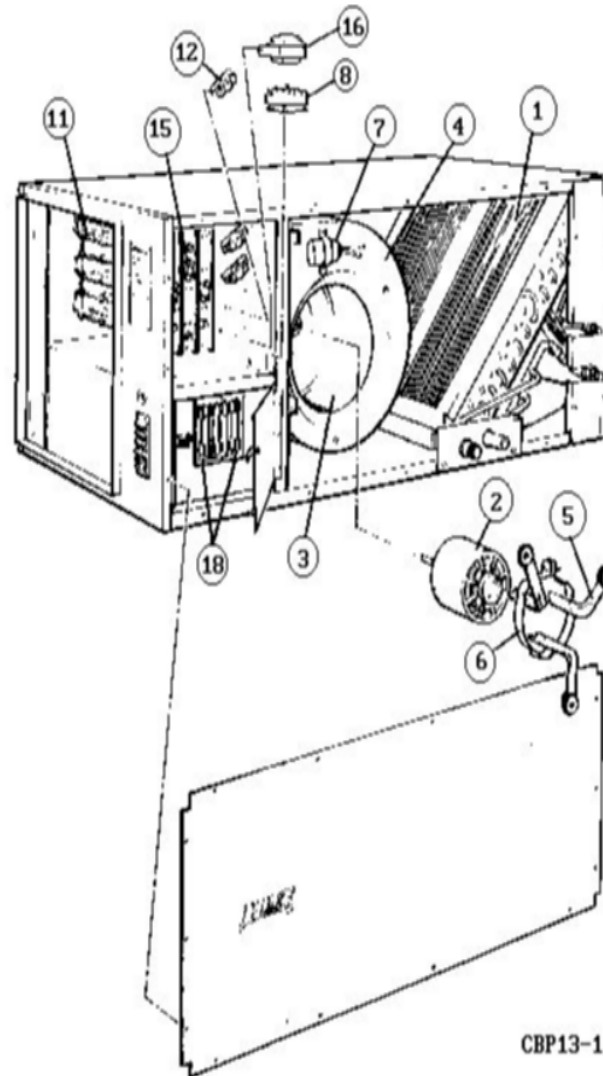


CBP13 Series

April 26, 1985



CBP13-1

Revision Number - 1

BLOWER PARTS

Callout	Name	Quantity	Description
2	MOTOR-BLOWER Cat #: 32C85 Model/Part #: 32C8501	1	"1/4HP,1075RPM,208-230/60/1 L/BASE"
3	WHEEL-BLOWER Cat #: 21706 Model/Part #: P-5-217	1	"1/2" BORE,10-5/8" X 9-1/2"
4	HOUSING-BLOWER Cat #: 39C37 Model/Part #: 39C3701	1	HOUSING-BLR
5	ARM-MOTOR MTG Cat #: 39C32 Model/Part #: 39C3201	3	ARM-MOTOR MTG
6	BAND-MOTOR Cat #: 32866 Model/Part #: P-8-9501	1	BAND-MOTOR MTG
7	CAPACITOR-FAN MTR Cat #: 53H02 Model/Part #: 81A3801	1	"5MFD,370VAC"
8	RELAY Cat #: 39C42 Model/Part #: 39C4201	1	"FAN-DPST,240V"

COOLING PARTS

Callout	Name	Quantity	Description
	VALVE-EXPANSION Cat #: 62A37 Model/Part #: 62A3701	1	VALVE, EXPANSION
	DISTRIBUTOR Cat #: 62A39 Model/Part #: 62A3901	1	L/TUBES
	ADAPTER Cat #: 59351 Model/Part #: P-8-2510	1	"3/8" MALE FLARE"
	ADAPTER Cat #: 68676 Model/Part #: P-8-2577	1	"3/4" MALE FLARE"
	VALVE-CHECK Cat #: 37729 Model/Part #: P-8-6666	1	VALVE, CHECK
1	COIL-INDOOR Cat #: 32C56 Model/Part #: LB-30342C	1	L/MANIFOLD

ELECTRIC HEATING PARTS

Callout	Name	Quantity	Description
	FUSE-THERMAL Cat #: 26C74 Model/Part #: 26C7401	1	"240V,25AMP"
	FUSE Cat #: 57771 Model/Part #: P-8-418	2	"FRN TYPE,30AMP,250V"
	FUSE Cat #: 37916 Model/Part #: P-8-5852	2	"FRN TYPE,60AMP,250V"
11	ELEMENT-ELEC Cat #: 39C43 Model/Part #: 39C4301	3	5KW @ 235V
12	RELAY-DELAY Cat #: 39C40 Model/Part #: 39C4001	2	240V
12	RELAY-DELAY Cat #: 39C41 Model/Part #: 39C4101	1	240V
15	CONTROL-LIMIT Cat #: 39C38 Model/Part #: 39C3801	3	"240V-OPEN 145,CLOSE 110"
16	TRANSFORMER Cat #: 39C36 Model/Part #: 39C3601	1	"208/230V PRI,24V SEC,30VA L/FUSE"
18	BLOCK-FUSE Cat #: 39C34 Model/Part #: 39C3401	2	"250V,90AMPS"

Note:

There are no technical notes for this product.