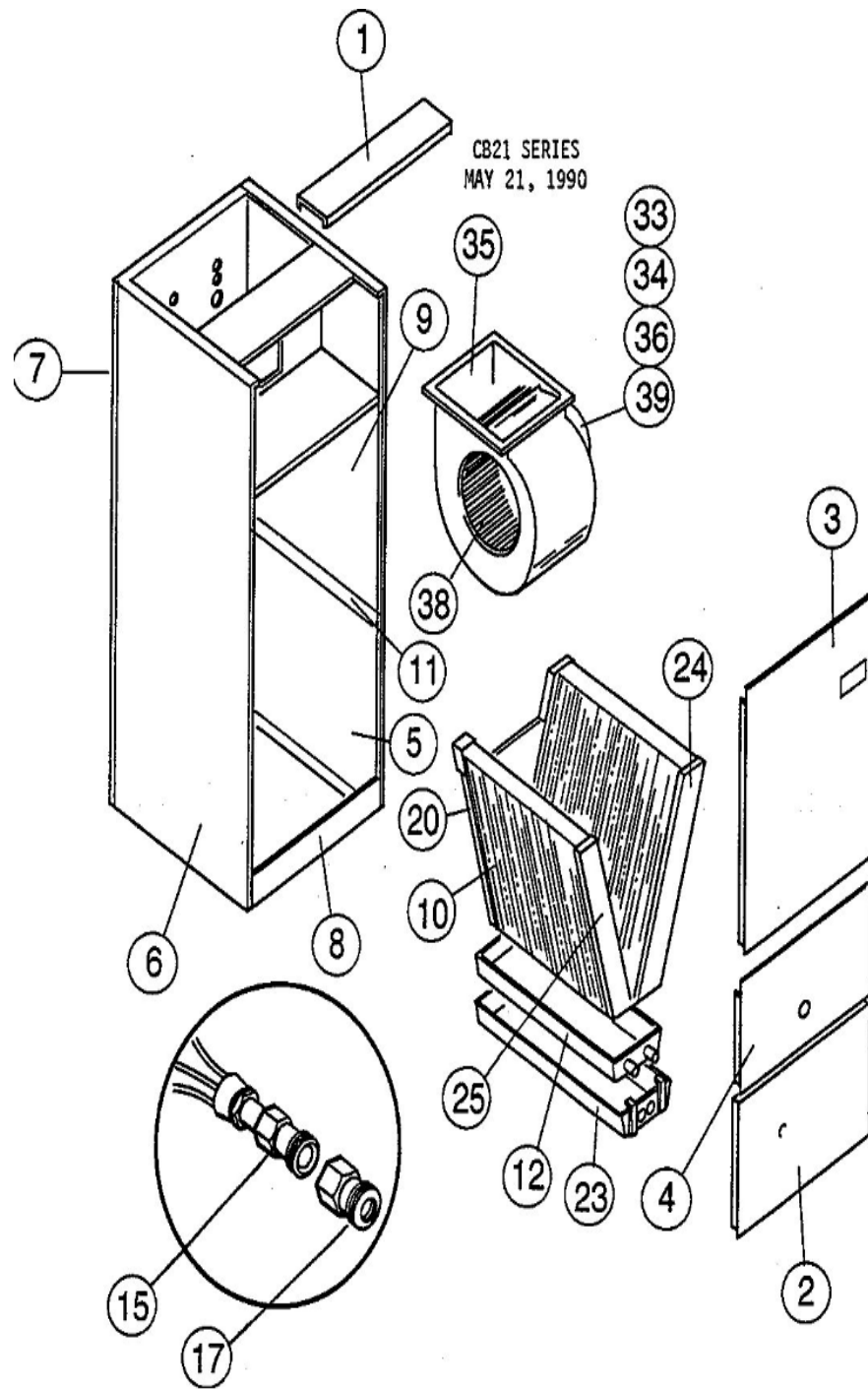
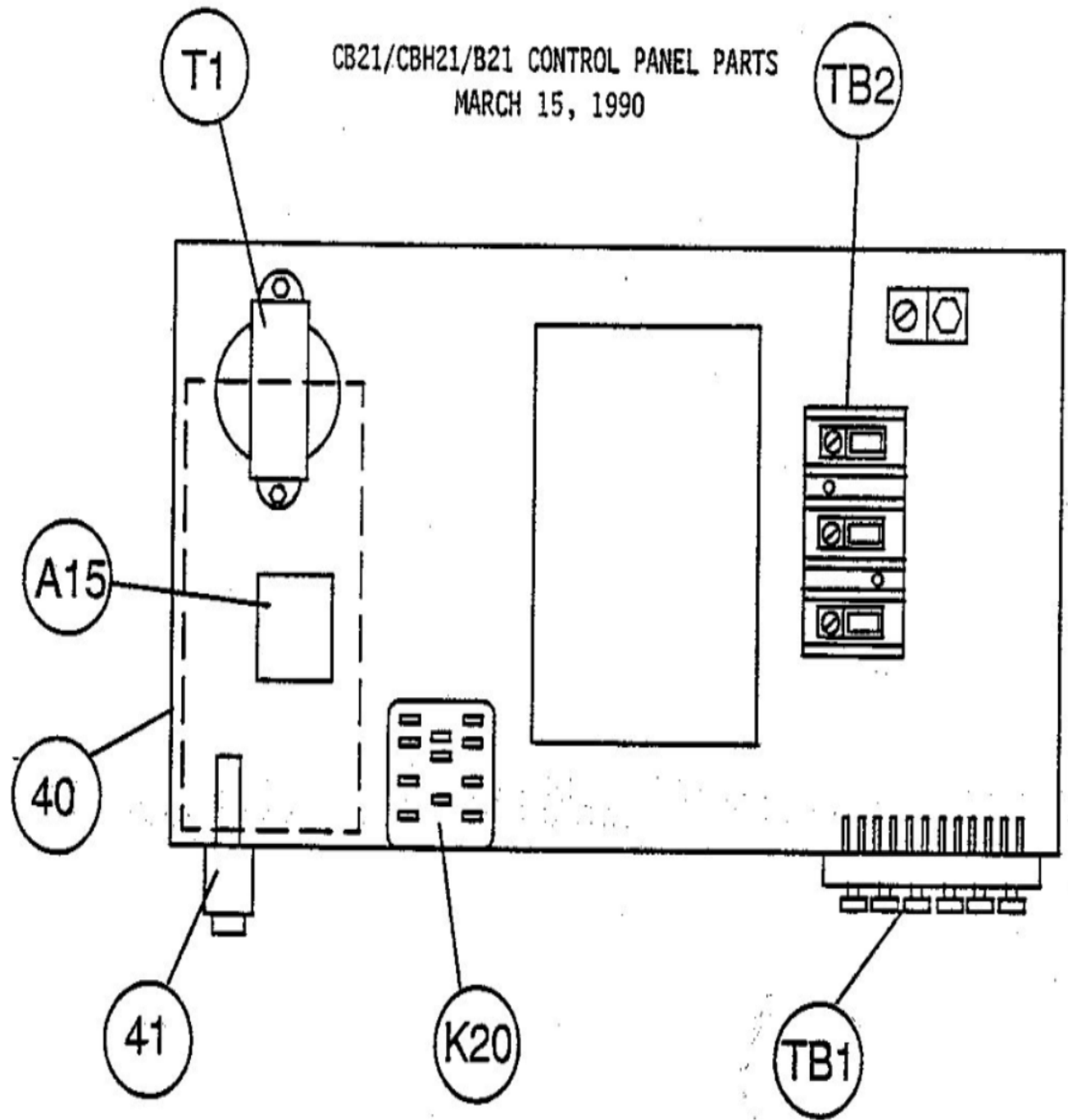


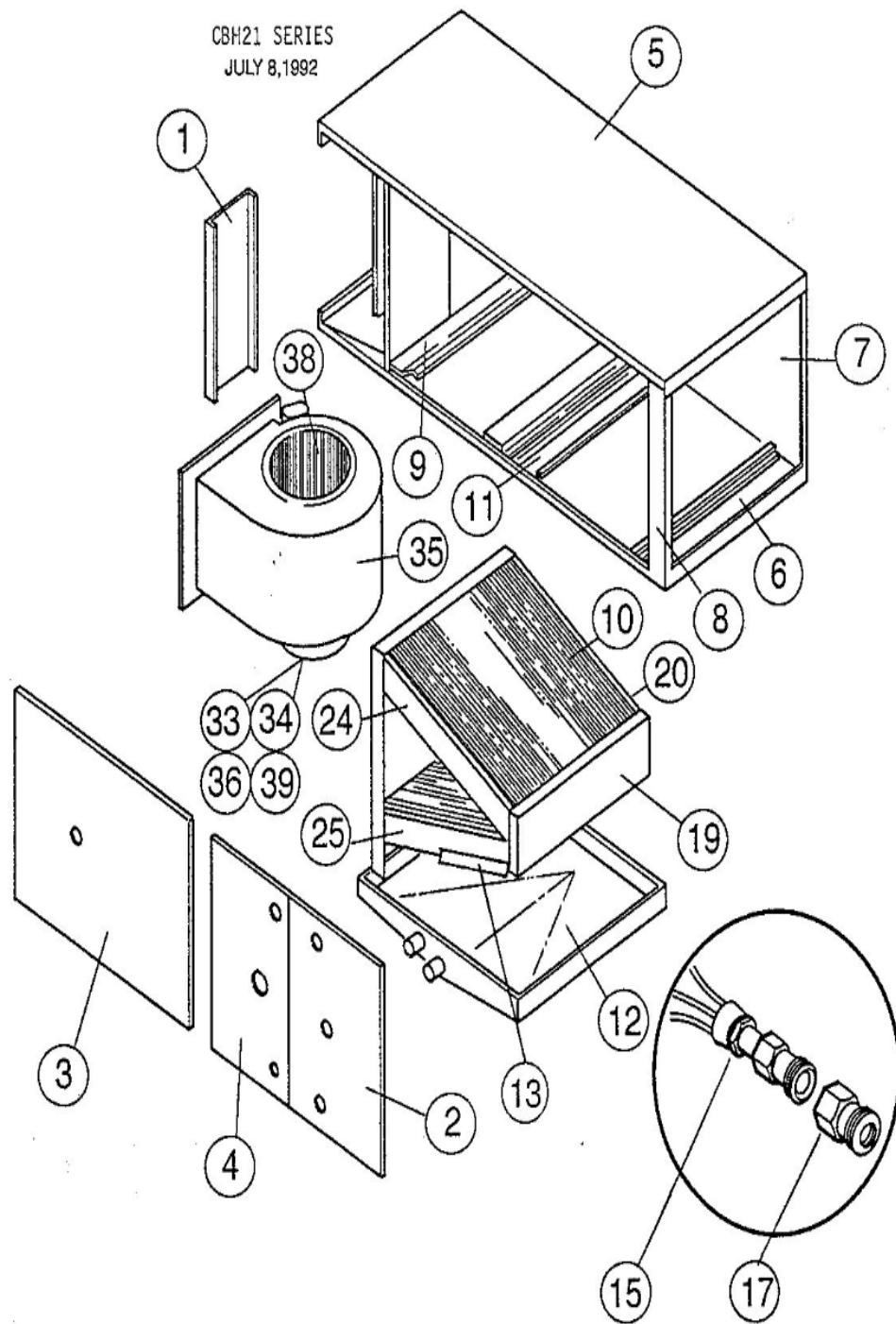
CB21 SERIES
MAY 21, 1990



CB21/CBH21/B21 CONTROL PANEL PARTS
MARCH 15, 1990



CBH21 SERIES
JULY 8, 1992



Revision Number - 3

BLOWER PARTS

Callout	Name	Quantity	Description
	PLATE-CUTOFF Cat #: 75G21 Model/Part #: LB-43838D	1	CUTOFF PLATE 10 X 9
	HARNESS-WIRING Cat #: 81J36 Model/Part #: LB-65895A	1	POWER
	HARNESS-WIRING Cat #: 40K76 Model/Part #: LB-85886B	1	CONTROL
	MODULE-CONTROL Cat #: 66K51 Model/Part #: LB-90745A	1	(ICM2)- MODULE LESS MOTOR(FOOTNOTE 1)
33	ARM-MOTOR MTG Cat #: 98G22 Model/Part #: 98G2201	3	MOTOR MTG. ARM
34	GROMMET Cat #: 43H81 Model/Part #: 43H8101	3	GROMMET
35	HOUSING-BLOWER Cat #: 40H43 Model/Part #: LB-82421CA	1	BLOWER HOUSING S.A.
36	MOTOR-BLOWER Cat #: 52J31 Model/Part #: 52J3101	1	"(ICM2)- 1/2HP,120ORPM,120-240/60/1, INCL
38	WHEEL-BLOWER Cat #: 21706 Model/Part #: LB-29333BL	1	"1/2""BORE,10-5/8"" X 9-1/2""
39	BAND-MOTOR Cat #: 62A57 Model/Part #: 62A5701	1	BAND - MOTOR

CABINET PARTS

Callout	Name	Quantity	Description
	GUIDE FILTER Cat #: 37K37 Model/Part #: LB-74144	2	(TXV UNITS)
	SPACER-FILTER Cat #: LB-82093C Model/Part #: LB-82093C	1	SPACER-FILTER

Callout	Name	Quantity	Description
1	CAP-CABINET Cat #: LB-74199 Model/Part #: LB-74199	1	(TXV UNITS)
2	PANEL Cat #: 37K35 Model/Part #: LB-79026CD	1	PLUMBING- LOWER(CB-TXV UNITS)
2	PANEL Cat #: 36K82 Model/Part #: LB-79027CD	1	PLUMBING- RIGHT(CBH-TXV UNITS)
3	PANEL Cat #: 40K78 Model/Part #: LB-58493CP	1	BLOWER(TXV UNITS)
4	PANEL Cat #: LB-79024CC Model/Part #: LB-79024CC	1	PLUMBING- LEFT(CBH-TXV UNITS)
4	PANEL Cat #: 37K36 Model/Part #: LB-79025CE	1	PLUMBING- UPPER(CB-TXV UNITS)
5	WRAPPER Cat #: 85H62 Model/Part #: LB-58486CG	1	RIGHT(TXV UNITS)
6	WRAPPER Cat #: 85H64 Model/Part #: LB-58490CG	1	LEFT(TXV UNITS)
7	PANEL Cat #: 85H66 Model/Part #: LB-58491CG	1	REAR(TXV UNITS)
8	PANEL Cat #: 30K89 Model/Part #: LB-58495CJ	1	SECURING(TXV UNITS)
9	SHIELD-DRIP Cat #: 75H99 Model/Part #: LB-59315C	2	(CBH-TXV UNITS)
9	SHIELD-DRIP Cat #: 66H33 Model/Part #: LB-62849C	2	(CB-TXV UNITS)
11	SUPPORT-COIL Cat #: LB-74143 Model/Part #: LB-74143	2	(CB-TXV UNITS)
11	SUPPORT-COIL Cat #: LB-74148 Model/Part #: LB-74148	2	(CB-TXV UNITS)
11	SUPPORT-COIL Cat #: LB-74158 Model/Part #: LB-74158	2	(CBH-TXV UNITS)

Callout	Name	Quantity	Description
11	SUPPORT-COIL Cat #: LB-74161 Model/Part #: LB-74161	2	(CBH-TXV UNITS)
11	SUPPORT-COIL Cat #: LB-74202 Model/Part #: LB-74202	2	(CBH-TXV UNITS)

COOLING PARTS

Callout	Name	Quantity	Description
	VALVE-EXPANSION Cat #: 37J69 Model/Part #: 37J6901	1	(TXV UNITS)
	BREAKER-CIRCUIT Cat #: 47A89 Model/Part #: 47A8901	1	CIRCUIT BREAKER
	SEAL-COIL Cat #: LB-74138 Model/Part #: LB-74138	1	TOP(CB-TXV UNITS)
	SEAL-COIL Cat #: LB-74142 Model/Part #: LB-74142	1	BOTT(CB-TXV UNITS)
	CAP-SEAL Cat #: 58114 Model/Part #: P-8-3187	1	(TXV UNITS)
10	COIL-INDOOR Cat #: 96J46 Model/Part #: LB-87363L	1	W/MANIFOLD(CB-TXV UNITS)
10	COIL-INDOOR Cat #: 96J48 Model/Part #: LB-87363N	1	W/MANIFOLD(CBH-TXV UNITS)
12	PAN-DRAIN Cat #: 96G11 Model/Part #: LB-59038C	1	(CB UNITS)
12	PAN DRAIN Cat #: 35K28 Model/Part #: LB-87299B	1	(CBH-TXV UNITS)
13	SHIELD-DRIP Cat #: 17J77 Model/Part #: LB-64997	1	FRONT(CBH UNITS)
13	SHIELD-DRIP Cat #: 17J78 Model/Part #: LB-64998	1	REAR(CBH UNITS)
15	DISTRIBUTOR ASSY Cat #: 69J27 Model/Part #: 69J2701	1	(TXV UNITS)
20	SEAL-COIL	1	REAR(TXV UNITS)

Callout	Name	Quantity	Description
	Cat #: LB-74141 Model/Part #: LB-74141		
23	PAN-DRIP Cat #: 65K08 Model/Part #: LB-74147	1	(CB-TXV UNITS)
23	PAN-DRIP Cat #: LB-74201 Model/Part #: LB-74201	1	(CBH-TXV UNITS)
25	SEAL-COIL Cat #: LB-74140 Model/Part #: LB-74140	1	FRONT(TXV UNITS)
40	HOLDER-FUSE Cat #: 12F01 Model/Part #: 12F0101	1	HOLDER-FUSE
41	FUSE Cat #: 34C21 Model/Part #: 34C2101	1	"GMQ3 TYPE,3.2AMP,300V"
A15	CONTROL Cat #: 54J65 Model/Part #: LB-65872A	1	BLOWER(BDC2)
K20	RELAY Cat #: 31K35 Model/Part #: 31K3501	1	"ID BLR,SPDT,240V"
T1	TRANSFORMER Cat #: 65G48 Model/Part #: 65G4801	1	"240V PRI,24V SEC,70VA,L/FUSE"
TB1	BLOCK-TERMINAL Cat #: 71G38 Model/Part #: 71G3801	1	TERMINAL BLOCK
TB2	BOARD-TERMINAL Cat #: 78H62 Model/Part #: 78H6201	1	TERMINAL BOARD

Note:

Note1: ICM2 ELECTRONIC MODULE IS AVAILABLE AS A SEPERATE REPAIR PART, LB-90745A.

Note2: ORDER 52J31, 56J62 & 57J99.