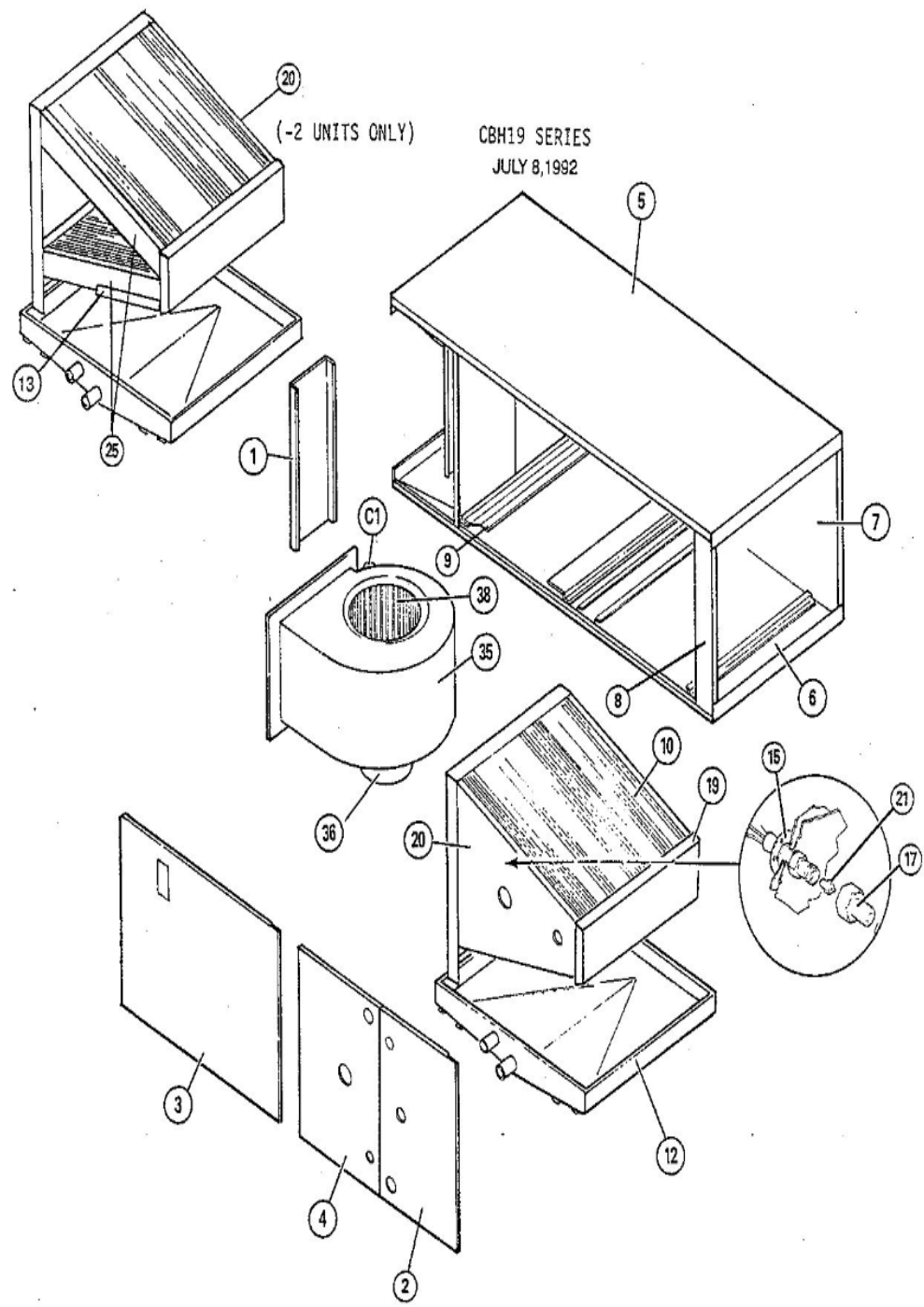


# CB19/CBH19/B19 CONTROL PANEL PARTS

MARCH 15, 1990





Revision Number - 2

## \*OPTIONAL PARTS-FIELD INSTALLED

Callout	Name	Quantity	Description
	RETAINER Cat #: 17J81 Model/Part #: LB-65056A	1	INSULATION

## BLOWER PARTS

Callout	Name	Quantity	Description
	PLATE-CUTOFF Cat #: 94H86 Model/Part #: LB-59039D	1	CUTOFF PLATE
35	HOUSING-BLOWER Cat #: 38H02 Model/Part #: LB-78749CB	1	BLOWER HOUSING
36	MOTOR-BLOWER Cat #: 81G49 Model/Part #: 81G4901	1	"1/5HP,825RPM,208-230/60/1"
38	WHEEL-BLOWER Cat #: 99G99 Model/Part #: LB-29333BBT	1	"1/2""BORE,9"" X 8""
C1	CAPACITOR Cat #: 22W78 Model/Part #: 59C9201	1	"5MFD,370V"

## CABINET PARTS

Callout	Name	Quantity	Description
	GUIDE-FILTER Cat #: 66H31 Model/Part #: LB-82095C	2	(CB & CBH UNITS)
	SPACER-FILTER Cat #: 90H65 Model/Part #: LB-82132D	1	(CB & CBH UNITS)
1	CAP-CABINET Cat #: 82H75 Model/Part #: LB-58492CA	1	(CB UNITS)
1	CAP-CABINET Cat #: 85H67 Model/Part #: LB-58492CF	1	(CBH UNITS)
2	PANEL Cat #: 54H15 Model/Part #: LB-79026CC	1	PLUMBING(CB UNITS)

<b>Callout</b>	<b>Name</b>	<b>Quantity</b>	<b>Description</b>
2	PANEL Cat #: 71H40 Model/Part #: LB-79027CC	1	PLUMBING(CBH UNITS)
3	PANEL Cat #: 47J29 Model/Part #: LB-58493CA	1	BLOWER(CB UNITS)
3	PANEL Cat #: 85H69 Model/Part #: LB-58493CH	1	BLOWER(CBH UNITS)
4	PANEL Cat #: 54H14 Model/Part #: LB-79025CC	1	PLUMBING(CB UNITS)
4	PANEL Cat #: 85H73 Model/Part #: LB-79025CD	1	PLUMBING(CBH UNITS)
5	WRAPPER Cat #: 85H61 Model/Part #: LB-58486CF	1	TOP(CB & CBH UNITS)
6	WRAPPER Cat #: 85H63 Model/Part #: LB-58490CF	1	BOTT(CB & CBH UNITS)
7	PANEL Cat #: 85H65 Model/Part #: LB-58491CF	1	REAR(CB & CBH UNITS)
8	PANEL-SECURING Cat #: 55H41 Model/Part #: LB-58495CA	1	(CB UNITS)
8	PANEL-SECURING Cat #: 85H71 Model/Part #: LB-58495CF	1	(CBH UNITS)
9	SHIELD-DRIP Cat #: 66H33 Model/Part #: LB-62849C	2	(CB UNITS)

## COOLING PARTS

<b>Callout</b>	<b>Name</b>	<b>Quantity</b>	<b>Description</b>
	VALVE-EXPANSION Cat #: 25G81 Model/Part #: 25G8101	1	(CB-TXV UNITS)
	UNION Cat #: 37A95 Model/Part #: 37A9501	1	(CB-TXV UNITS)
	FUSE Cat #: 71G35 Model/Part #: 71G3501	1	"N3 TYPE,3.5AMP,125V"
	CAP-SEAL	1	CAP-PLASTIC SEAL

<b>Callout</b>	<b>Name</b>	<b>Quantity</b>	<b>Description</b>
	Cat #: 86G97 Model/Part #: 86G9701		
	SEAL-COIL Cat #: 30H10 Model/Part #: LB-58445C	2	TOP(CB UNITS)
	SUPPORT-COIL Cat #: 66H34 Model/Part #: LB-58446D	4	(CBH UNITS)
	HOSE-DRAIN Cat #: 17H55 Model/Part #: LB-59267D	1	HOSE-DRAIN
	SEAL-COIL Cat #: 51J82 Model/Part #: LB-62845C	1	BOTT(CB-TXV UNITS)
	ADAPTER Cat #: 15J51 Model/Part #: LB-82210DA	1	LIQUID LINE ASSY
10	COIL-INDOOR Cat #: 29H78 Model/Part #: LB-81688CAE	1	W/MANIFOLD(CBH UNITS- FOOTNOTE 1)
10	COIL-INDOOR Cat #: 29H72 Model/Part #: LB-81688CX	1	W/MANIFOLD(CB UNITS- FOOTNOTE 1)
12	PAN-DRAIN Cat #: 85G02 Model/Part #: LB-58244C	1	(CB & CB-TXV UNITS)
12	PAN-DRAIN Cat #: 42H21 Model/Part #: LB-58619CA	1	(CBH UNITS)
15	DISTRIBUTOR ASSY Cat #: 10H74 Model/Part #: LB-61742CA	1	DIST S.A.
17	ADAPTER Cat #: 18J59 Model/Part #: 18J5901	1	(CB-TXV UNITS)
17	ADAPTER Cat #: 71G09 Model/Part #: 71G0901	1	ADAPTOR
20	SEAL-COIL Cat #: 54J16 Model/Part #: LB-78924A	1	FRONT(CB-TXV UNITS)
20	SEAL-COIL Cat #: LB-82288C Model/Part #: LB-82288C	1	REAR(CB & CBH UNITS)
21	RESTRICTOR Cat #: 81G45 Model/Part #: 81G4501	1	RESTRICTOR

<b>Callout</b>	<b>Name</b>	<b>Quantity</b>	<b>Description</b>
21	RESTRICTOR Cat #: 97H96 Model/Part #: 97H9601	1	(FOOTNOTE 2)
23	PAN-DRIP Cat #: 19J18 Model/Part #: LB-62850C	1	(CB UNITS)
25	SEAL-COIL Cat #: LB-82289C Model/Part #: LB-82289C	1	FRONT(CBH UNITS)
K3	RELAY Cat #: 66C67 Model/Part #: P-8-10283	1	"ID BLOWER,DPDT,24V"
T1	TRANSFORMER Cat #: 65G49 Model/Part #: 65G4901	1	"208/230V PRI,24V SEC,70VA W/FUSE"
TB1	BLOCK-TERMINAL Cat #: 71G37 Model/Part #: 71G3701	1	LOCATED CAB TOP
TB2	BOARD-TERMINAL Cat #: 78H59 Model/Part #: 78H5901	1	TERMINAL BOARD

**Note:**

Note1: WHEN REPLACING COIL, IT WILL BE NECESSARY TO REMOVE RESTRICTOR (KEY #21) FROM OLD COIL FOR USE IN THE NEW COIL, AS THIS PART IS NOT INCLUDED IN REPAIR COIL PACKAGE. Note2: THIS RESTRICTOR TO BE USED ONLY WHEN UNIT IS MATCHED WITH HS19-261 AND HP24 UNITS.