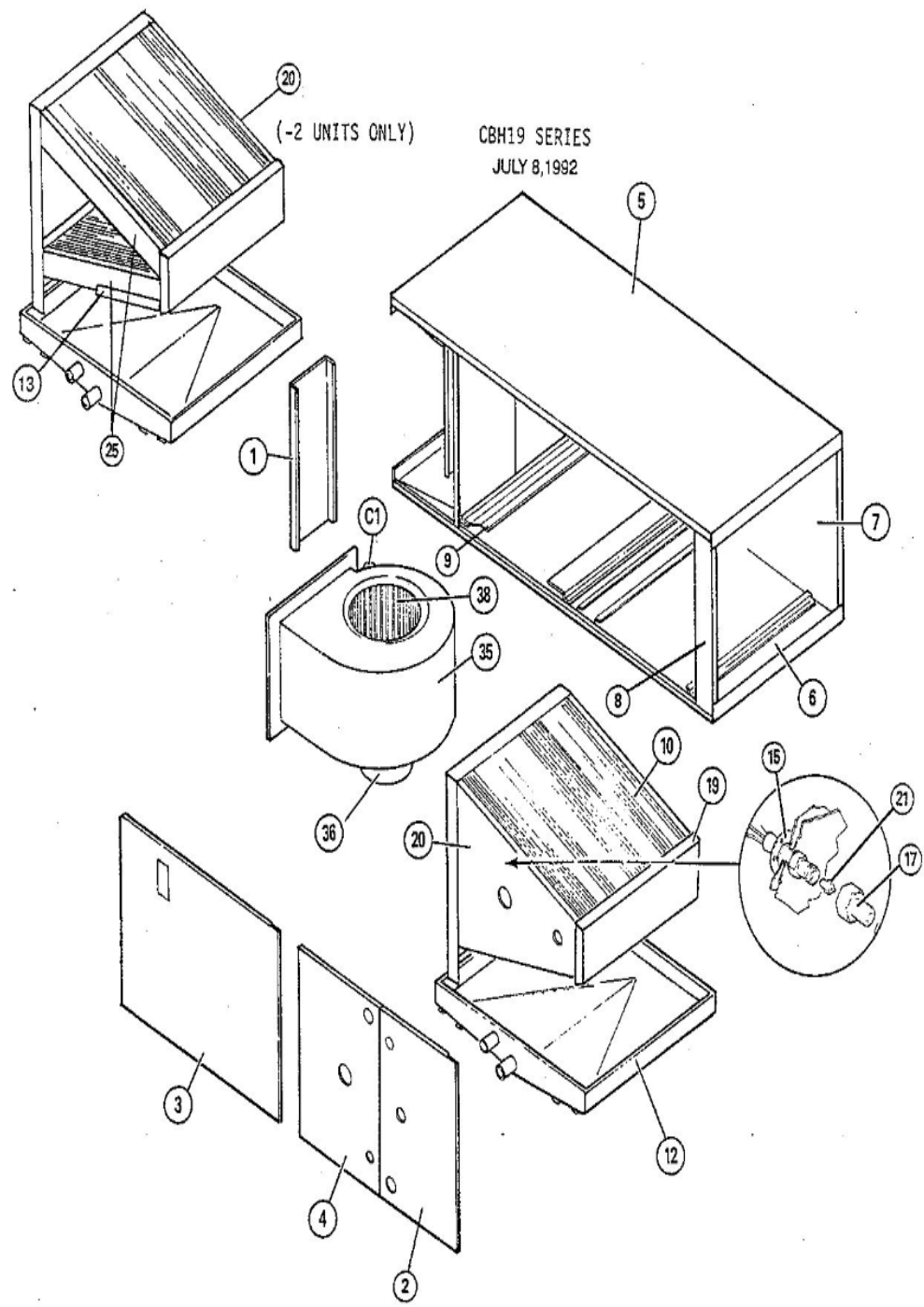




CB19/CBH19/B19 CONTROL PANEL PARTS

MARCH 15, 1990





Revision Number - 1

BLOWER PARTS

Callout	Name	Quantity	Description
	PLATE-CUTOFF Cat #: 77H80 Model/Part #: LB-44707D	1	CUTOFF PLATE
35	HOUSING-BLOWER Cat #: 38H01 Model/Part #: LB-78749CA	1	BLOWER HOUSING
36	MOTOR-BLOWER Cat #: 81G48 Model/Part #: 81G4801	1	"1/10HP,825RPM,208-230/60/1"
38	WHEEL-BLOWER Cat #: 55835 Model/Part #: P-5-66	1	"1/2""BORE,9-1/16"" X 6-3/4""
C1	CAPACITOR Cat #: 22W78 Model/Part #: 59C9201	1	"5MFD,370V"

CABINET PARTS

Callout	Name	Quantity	Description
	GUIDE FILTER Cat #: 37K37 Model/Part #: LB-74144	2	(TXV UNITS)
	GUIDE-FILTER Cat #: 66H31 Model/Part #: LB-82095C	2	(CB & CBH UNITS)
	SPACER-FILTER Cat #: 90H65 Model/Part #: LB-82132D	1	(CB & CBH UNITS)
1	CAP-CABINET Cat #: 82H75 Model/Part #: LB-58492CA	1	(CB UNITS)
1	CAP-CABINET Cat #: 85H67 Model/Part #: LB-58492CF	1	(CBH UNITS)
1	CAP-CABINET Cat #: LB-74169 Model/Part #: LB-74169	1	(TXV UNITS)
2	PANEL Cat #: LB-79027CF Model/Part #: LB-79027CF	1	PLUMBING(CBH-TXV UNITS)
3	PANEL Cat #: 47J29 Model/Part #: LB-58493CA	1	BLOWER(CB UNITS)

Callout	Name	Quantity	Description
3	PANEL Cat #: 85H69 Model/Part #: LB-58493CH	1	BLOWER(CBH UNITS)
3	PANEL Cat #: 54K26 Model/Part #: LB-58493CN	1	BLOWER(TXV UNITS)
4	PANEL Cat #: 30H04 Model/Part #: LB-58494CA	1	PLUMBING(CBH UNITS)
4	PANEL Cat #: LB-79025CG Model/Part #: LB-79025CG	1	PLUMBING(TXV UNITS)
5	WRAPPER Cat #: 85H61 Model/Part #: LB-58486CF	1	TOP(CB & CBH UNITS)
6	WRAPPER Cat #: 85H63 Model/Part #: LB-58490CF	1	BOTT(CB & CBH UNITS)
7	PANEL Cat #: 85H65 Model/Part #: LB-58491CF	1	REAR(CB & CBH UNITS)
8	PANEL-SECURING Cat #: 55H41 Model/Part #: LB-58495CA	1	(CB UNITS)
8	PANEL-SECURING Cat #: 85H71 Model/Part #: LB-58495CF	1	(CBH UNITS)
8	PANEL-SECURING Cat #: 30K73 Model/Part #: LB-58495CH	1	(TXV UNITS)
9	SHIELD-DRIP Cat #: 75H99 Model/Part #: LB-59315C	2	DRIP SHIELD

COOLING PARTS

Callout	Name	Quantity	Description
	VALVE-EXPANSION Cat #: 37J69 Model/Part #: 37J6901	1	(TXV UNITS)
	FUSE Cat #: 71G35 Model/Part #: 71G3501	1	"N3 TYPE,3.5AMP,125V"
	CAP-SEAL Cat #: 86G97 Model/Part #: 86G9701	1	CAP-PLASTIC SEAL
	SEAL-COIL	2	TOP(CB UNITS)

Callout	Name	Quantity	Description
	Cat #: 30H10 Model/Part #: LB-58445C		
	SUPPORT-COIL Cat #: 66H34 Model/Part #: LB-58446D	4	(CBH UNITS)
	HOSE-DRAIN Cat #: 17H55 Model/Part #: LB-59267D	1	HOSE-DRAIN
	ADAPTER Cat #: 17H56 Model/Part #: LB-61604D	1	EXPANSION VALVE
	SUPPORT-COIL Cat #: LB-74158 Model/Part #: LB-74158	2	(CBH-TXV UNITS)
	SUPPORT-COIL Cat #: LB-74161 Model/Part #: LB-74161	2	(CBH-TXV UNITS)
	CAP-SEAL Cat #: 58114 Model/Part #: P-8-3187	1	(TXV UNITS)
10	COIL-INDOOR Cat #: 14H37 Model/Part #: LB-81688CA	1	W/MANIFOLD(CB UNITS- FOOTNOTE 1)
10	COIL-INDOOR Cat #: 14H43 Model/Part #: LB-81688CG	1	W/MANIFOLD(CBH UNITS- FOOTNOTE 1)
10	COIL-INDOOR Cat #: 96J36 Model/Part #: LB-87363F	1	W/MANIFOLD(CBH-TXV UNITS)
12	PAN-DRAIN Cat #: 85G02 Model/Part #: LB-58244C	1	(CB & CB-TXV UNITS)
12	PAN-DRAIN Cat #: 42H21 Model/Part #: LB-58619CA	1	(CBH UNITS)
12	PAN-DRAIN Cat #: 35K27 Model/Part #: LB-87299A	1	(CBH-TXV UNITS)
15	DISTRIBUTOR ASSY Cat #: 69J26 Model/Part #: 69J2601	1	(TXV UNITS)
15	DISTRIBUTOR ASSY Cat #: 10H74 Model/Part #: LB-61742CA	1	DIST S.A.
17	ADAPTER Cat #: 71G09 Model/Part #: 71G0901	1	ADAPTOR

Callout	Name	Quantity	Description
19	PAN-DRIP Cat #: 49H49 Model/Part #: LB-58629C	1	(CBH UNITS)
19	PAN-DRIP Cat #: LB-74195 Model/Part #: LB-74195	1	(CBH-TXV UNITS)
20	SEAL-COIL Cat #: LB-58690C Model/Part #: LB-58690C	2	FRONT & REAR
20	SEAL-COIL Cat #: LB-74190 Model/Part #: LB-74190	1	REAR(TXV UNITS)
20	SEAL-COIL Cat #: LB-74191 Model/Part #: LB-74191	1	FRONT(TXV UNITS)
21	RESTRICTOR Cat #: 81G44 Model/Part #: 81G4401	1	RESTRICTOR
23	PAN-DRIP Cat #: 99J80 Model/Part #: LB-58689C	1	(CB UNITS)
40	HOLDER-FUSE Cat #: 12F01 Model/Part #: 12F0101	1	HOLDER-FUSE
41	FUSE Cat #: 34C21 Model/Part #: 34C2101	1	"GMQ TYPE,3.2AMP,300V"
K3	RELAY Cat #: 66C67 Model/Part #: P-8-10283	1	"ID BLOWER,DPDT,24V"
T1	TRANSFORMER Cat #: 65G48 Model/Part #: 65G4801	1	"240V PRI, 24V SEC,70VA,L/FUSE"
T1	TRANSFORMER Cat #: 65G49 Model/Part #: 65G4901	1	"208/230V PRI,24V SEC,70VA W/FUSE"
TB1	BLOCK-TERMINAL Cat #: 71G37 Model/Part #: 71G3701	1	LOCATED CAB TOP
TB2	BOARD-TERMINAL Cat #: 78H59 Model/Part #: 78H5901	1	TERMINAL BOARD

Note:

Note1: WHEN REPLACING COIL, IT WILL BE NECESSARY TO REMOVE RESTRICTOR (KEY #21) FROM OLD COIL FOR USE IN THE NEW COIL, AS THIS PART IS NOT INCLUDED IN REPAIR COIL PACKAGE.