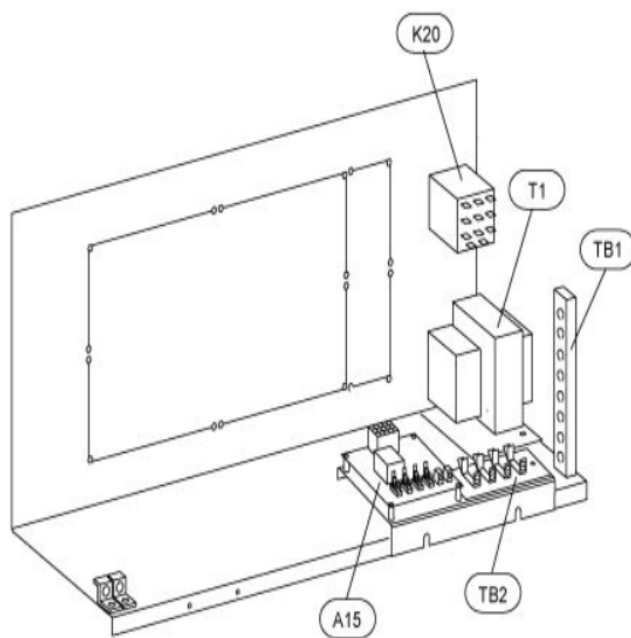


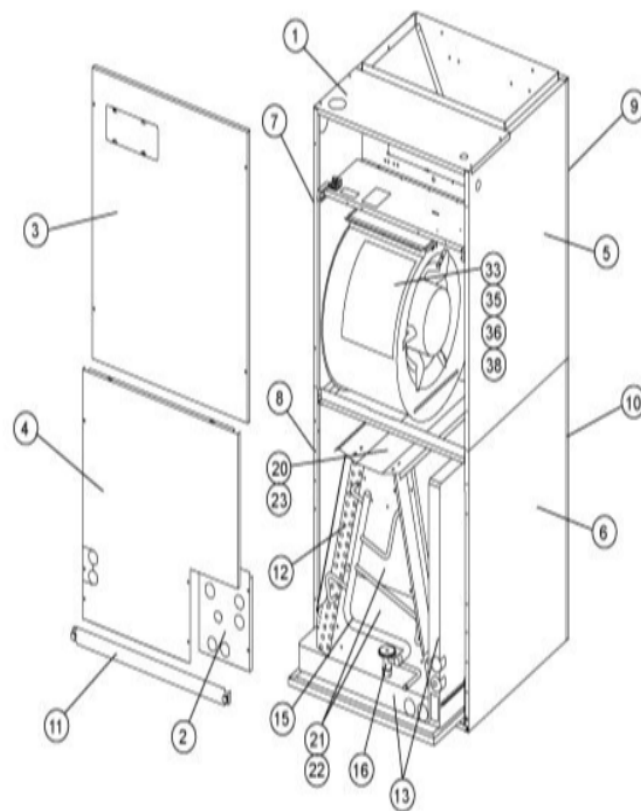
COOLING-COILS/BLOWER COILS
MARCH, 2007
SUPERCEDES JANUARY, 1996

CB31MV CONTROL PANEL



COOLING-COIL/BLOWER COILS
MARCH, 2007
SUPERCEDES JANUARY, 1996

CB31MV SERIES



Revision Number - 2P

BLOWER PARTS

| Callout | Name | Quantity | Description |
|---------|--|----------|---|
| | BAND-MOTOR Cat #: 62A57 Model/Part #: 62A5701 | 1 | MOTOR MTG |
| | HARNESS-WIRING Cat #: 81J36 Model/Part #: LB-65895A | 1 | BLOWER MOTOR |
| | PLATE-CUTOFF Cat #: 32L41 Model/Part #: LB-88709 | 1 | CUTOFF PLATE |
| | MODULE-CONTROL Cat #: 66K60 Model/Part #: LB-90745K | 1 | (ICM2)- MODULE LESS MOTOR(FOOTNOTE 1) |
| 33 | MOUNT-MOTOR Cat #: 98G23 Model/Part #: 98G2301 | 3 | ARM, MOTOR MOUNTING |
| 35 | HOUSING-BLOWER Cat #: 53K65 Model/Part #: 53K6501 | 1 | BLOWER HOUSING S.A. |
| 36 | MOTOR-BLOWER Cat #: 41K84 Model/Part #: 41K8401 | 1 | "(ICM2)- 1 HP,1050RPM,120- 240/60/1, MOTO |
| 38 | WHEEL-BLOWER Cat #: 21793 Model/Part #: LB-29333BBA | 1 | "1/2""BORE,12"" X 9"" |

CABINET PARTS

| Callout | Name | Quantity | Description |
|---------|---|----------|------------------------------|
| | FILTER-AIR"20"" X 24"" X 1"" Cat #: Model/Part #: | 1 | |
| | KIT-HARDWARE Cat #: 97M37 Model/Part #: LB-110418A | 1 | PKG OF 10 FOR FILTER DOOR |
| 1 | CAP-CABINET Cat #: 72M38 Model/Part #: LB-107656AX | 1 | TOP CAP |
| 2 | PLATE Cat #: 72M10 Model/Part #: LB-107656L | 1 | PATCH |

| Callout | Name | Quantity | Description |
|----------------|---|-----------------|--------------------|
| 3 | PANEL Cat #: 72M11 Model/Part #: LB-107656M | 1 | BLOWER |
| 4 | PANEL Cat #: 72M28 Model/Part #: LB-107656AJ | 1 | PLUMBING |
| 5 | WRAPPER Cat #: 72M33 Model/Part #: LB-107656AP | 1 | TOP-RIGHT |
| 6 | WRAPPER Cat #: 72M37 Model/Part #: LB-107656AW | 1 | BOTT-RIGHT |
| 7 | WRAPPER Cat #: 72M32 Model/Part #: LB-107656AN | 1 | TOP-LEFT |
| 8 | WRAPPER Cat #: 72M36 Model/Part #: LB-107656AT | 1 | BOTT-LEFT |
| 9 | WRAPPER Cat #: 72M34 Model/Part #: LB-107656AR | 1 | TOP-REAR |
| 10 | WRAPPER Cat #: 72M35 Model/Part #: LB-107656AS | 1 | BOTT-REAR |
| 11 | PANEL Cat #: 72M06 Model/Part #: LB-107656G | 1 | FILTER ACCESS |

CONTROL PANEL PARTS

| Callout | Name | Quantity | Description |
|----------------|--|-----------------|-----------------------|
| | FUSE 3 AMP 32 VOLT Cat #: 25J49 Model/Part #: 25J4901 | 1 | TRANSFORMER- 3 AMP |
| | HARNESS-WIRING Cat #: 78K52 Model/Part #: LB-74237 | 1 | POWER |
| | HARNESS-WIRING Cat #: 81K86 Model/Part #: LB-90005 | 1 | CONTROL |
| | HARNESS-WIRING Cat #: 22L55 Model/Part #: LB-90006 | 1 | (#2) |
| A15 | BOARD-CIRCUIT Cat #: 40K82 Model/Part #: LB-89812 | 1 | (BDC3-1) |
| K20 | RELAY | 1 | "ID |

| Callout | Name | Quantity | Description |
|---------|--|----------|---|
| | Cat #: 49K04 Model/Part #: 49K0401 | | BLR,DPDT,240V" |
| T1 | TRANSFORMER Cat #: 51M11 Model/Part #: 51M1101 | 1 | "208/240V PRI,24V SEC,70VA W/FUSE" |
| TB1 | STRIP-TERMINAL Cat #: 18K71 Model/Part #: 18K7101 | 1 | TERMINAL BLOCK |
| TB2 | STRIP-TERMINAL Cat #: 18K76 Model/Part #: 18K7601 | 1 | (BDC3-1) |

COOLING PARTS

| Callout | Name | Quantity | Description |
|---------|---|----------|---|
| | LIQUID LINE Cat #: 44L35 Model/Part #: 44L3501 | 1 | SWEAT ASSY INCLUDES SCREEN |
| | WASHER KIT Cat #: 49J23 Model/Part #: 49J2301PR | 1 | PKG(12) |
| | CHANNEL Cat #: 71M36 Model/Part #: LB-88624 | 2 | CONDENSATE |
| | CHANNEL Cat #: 64K05 Model/Part #: LB-88628 | 1 | DRAIN |
| | LIQUID LINE KIT Cat #: 69J46 Model/Part #: LB-95325A | 1 | INCL TEN LIQUID LINES(44L35) + WASHERS& |
| 12 | COIL-INDOOR Cat #: 57K63 Model/Part #: LB-90287L | 1 | W/MANIFOLD |
| 13 | PAN-DRAIN Cat #: 93J60 Model/Part #: 93J6001 | 1 | (HORIZONTAL) |
| 13 | PAN-DRAIN Cat #: 69K00 Model/Part #: LB-90788D | 1 | DRAIN PAN |
| 15 | DISTRIBUTOR ASSY(FOOTNOTE2) Cat #: Model/Part #: | 1 | |
| 16 | VALVE-EXPANSION Cat #: 56J20 Model/Part #: 37J6801 | 1 | (R22) |

| Callout | Name | Quantity | Description |
|----------------|---|-----------------|--------------------|
| 16 | VALVE-EXPANSION Cat #: 49L25 Model/Part #: 49L2501 | 1 | (R410A) |
| 20 | SEAL-COIL Cat #: LB-88054 Model/Part #: LB-88054 | 1 | REAR |
| 21 | SEAL-COIL Cat #: 40W93 Model/Part #: 600582-01 | 1 | FRONT-TOP |
| 22 | SEAL-COIL Cat #: 40W94 Model/Part #: 600583-01 | 1 | FRONT-BOTTOM |
| 23 | SEAL-COIL Cat #: 77M49 Model/Part #: LB-88438 | 1 | TOP |

Note:

Note1: DISTRIBUTOR ASSEMBLIES ARE NOT SET UP AS A REPAIR PART. IF COIL HAS MULTIPLE LEAKS IN THE DISTRIBUTOR ASSEMBLY, THE COIL SHOULD BE REPLACED. Note2: ICM2 ELECTRONIC MODULE IS AVAILABLE AS A SEPERATE REPAIR PART, LB-90745K