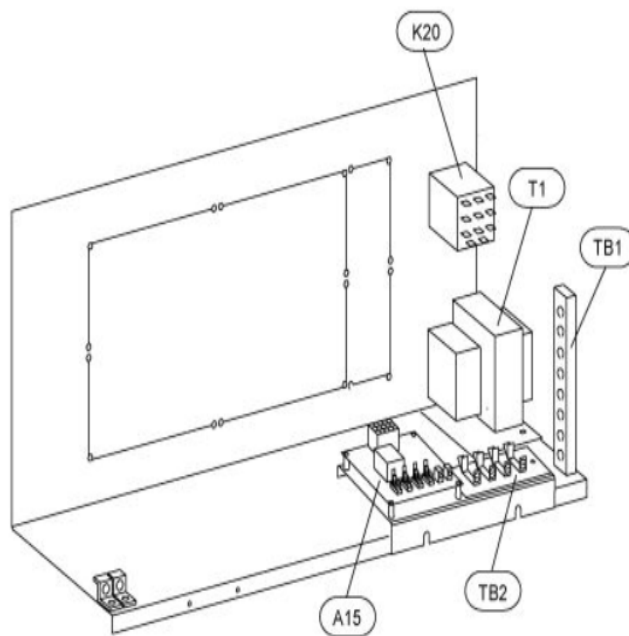


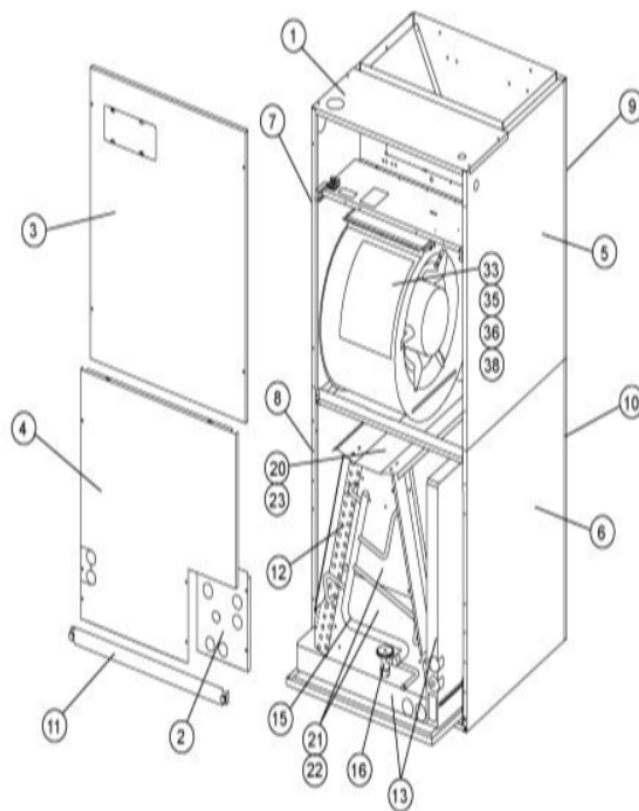
COOLING-COILS/BLOWER COILS
MARCH, 2007
SUPERCEDES JANUARY, 1996

CB31MV CONTROL PANEL



COOLING-COIL/BLOWER COILS
MARCH, 2007
SUPERCEDES JANUARY, 1996

CB31MV SERIES



Revision Number - 1P

BLOWER PARTS

| Callout | Name | Quantity | Description |
|---------|--|----------|---|
| | BAND-MOTOR Cat #: 62A57 Model/Part #: 62A5701 | 1 | MOTOR MTG |
| | HARNESS-WIRING Cat #: 81J36 Model/Part #: LB-65895A | 1 | BLOWER MOTOR |
| | PLATE-CUTOFF Cat #: LB-88706 Model/Part #: LB-88706 | 1 | CUTOFF PLATE |
| | MODULE-CONTROL Cat #: 66K59 Model/Part #: LB-90745J | 1 | (ICM2)- MODULE LESS MOTOR(FOOTNOTE 1) |
| 33 | ARM-MOTOR MTG Cat #: 98G22 Model/Part #: 98G2201 | 3 | MOTOR MTG. ARM |
| 35 | HOUSING-BLOWER Cat #: 53K64 Model/Part #: 53K6401 | 1 | BLOWER HOUSING S.A. |
| 36 | MOTOR-BLOWER Cat #: 41K83 Model/Part #: 41K8301 | 1 | "(ICM2)- 1/2HP,1200RPM,120- 240/60/1-MOTO |
| 38 | WHEEL-BLOWER Cat #: 21708 Model/Part #: LB-29333BJ | 1 | "1/2""BORE,10"" X 8"" |

CABINET PARTS

| Callout | Name | Quantity | Description |
|---------|---|----------|------------------------------|
| | FILTER-AIR"20"" X 20"" X 1"" Cat #: Model/Part #: | 1 | |
| | CLIP-FILTER Cat #: 49K46 Model/Part #: 49K4601 | 3 | CLIP-FILTER |
| | KIT-HARDWARE Cat #: 97M37 Model/Part #: LB-110418A | 1 | PKG OF 10 FOR FILTER DOOR |
| | SPACER-FILTER Cat #: 43L91 Model/Part #: LB-74258 | 1 | FILTER |

| Callout | Name | Quantity | Description |
|----------------|--|-----------------|--------------------|
| 1 | CAP-CABINET Cat #: 72M09 Model/Part #: LB-107656K | 1 | TOP CAP |
| 2 | PLATE Cat #: 72M05 Model/Part #: LB-107656F | 1 | PATCH |
| 3 | PANEL Cat #: 72M27 Model/Part #: LB-107656AH | 1 | BLOWER |
| 4 | PLATE Cat #: 72M04 Model/Part #: LB-107656E | 1 | PLUMBING |
| 5 | WRAPPER Cat #: 72M22 Model/Part #: LB-107656AC | 1 | TOP-RIGHT |
| 6 | WRAPPER Cat #: 72M26 Model/Part #: LB-107656AG | 1 | BOTT-RIGHT |
| 7 | WRAPPER Cat #: 72M21 Model/Part #: LB-107656AB | 1 | TOP-LEFT |
| 8 | WRAPPER Cat #: 72M25 Model/Part #: LB-107656AF | 1 | BOTT-LEFT |
| 9 | WRAPPER Cat #: 72M23 Model/Part #: LB-107656AD | 1 | TOP-REAR |
| 10 | WRAPPER Cat #: 72M24 Model/Part #: LB-107656AE | 1 | BOTT-REAR |
| 11 | PANEL Cat #: 72M06 Model/Part #: LB-107656G | 1 | FILTER ACCESS |

CONTROL PANEL PARTS

| Callout | Name | Quantity | Description |
|----------------|---|-----------------|--------------------|
| | HARNESS-WIRING Cat #: 78K52 Model/Part #: LB-74237 | 1 | POWER |
| | HARNESS-WIRING Cat #: 81K86 Model/Part #: LB-90005 | 1 | CONTROL |
| | HARNESS-WIRING Cat #: 22L55 Model/Part #: LB-90006 | 1 | (#2) |
| A15 | BOARD-CIRCUIT | 1 | (BDC3-1) |

| Callout | Name | Quantity | Description |
|---------|--|----------|---|
| | Cat #: 40K82 Model/Part #: LB-89812 | | |
| K20 | RELAY Cat #: 49K04 Model/Part #: 49K0401 | 1 | "ID BLR,DPDT,240V" |
| T1 | TRANSFORMER Cat #: 13H28 Model/Part #: 13H2801 | 1 | "208/240V PRI,24V SEC,70VA L/FUSE" |
| TB1 | STRIP-TERMINAL Cat #: 18K71 Model/Part #: 18K7101 | 1 | TERMINAL BLOCK |
| TB2 | STRIP-TERMINAL Cat #: 18K76 Model/Part #: 18K7601 | 1 | (BDC3-1) |

COOLING PARTS

| Callout | Name | Quantity | Description |
|---------|---|----------|--|
| | DISTRIBUTOR ASSY(FOOTNOTE 2) Cat #: Model/Part #: | 1 | |
| | LIQUID LINE Cat #: 44L35 Model/Part #: 44L3501 | 1 | SWEAT ASSY INCLUDES SCREEN |
| | WASHER KIT Cat #: 49J23 Model/Part #: 49J2301PR | 1 | PKG(12) |
| | CHANNEL Cat #: 64K05 Model/Part #: LB-88628 | 1 | DRAIN |
| | CHANNEL Cat #: 64K06 Model/Part #: LB-88651 | 1 | CONDENSATE |
| | LIQUID LINE KIT Cat #: 69J46 Model/Part #: LB-95325A | 1 | INCL TEN LIQUID LINES(44L35) + WASHERS&N |
| 12 | COIL-INDOOR Cat #: 57K60 Model/Part #: LB-90287H | 1 | W/MANIFOLD |
| 13 | PAN-DRAIN Cat #: 93J59 Model/Part #: 93J5901 | 1 | (HORIZONTAL) |
| 13 | PAN-DRAIN Cat #: 68K32 Model/Part #: LB-90788C | 1 | PAN-DRAIN |

| Callout | Name | Quantity | Description |
|----------------|---|-----------------|--------------------|
| 16 | VALVE-EXPANSION Cat #: 37J69 Model/Part #: 37J6901 | 1 | (R22) |
| 16 | VALVE-EXPANSION Cat #: 49L24 Model/Part #: 49L2401 | 1 | (R410A) |
| 20 | SEAL-COIL Cat #: LB-88615 Model/Part #: LB-88615 | 1 | REAR |
| 21 | SEAL-COIL Cat #: 40W91 Model/Part #: 600580-01 | 1 | FRONT-TOP |
| 22 | SEAL-COIL Cat #: 40W92 Model/Part #: 600581-01 | 1 | FRONT-BOTTOM |
| 23 | SEAL-COIL Cat #: 23M90 Model/Part #: LB-88432 | 1 | TOP |

Note:

Note1: DISTRIBUTOR ASSEMBLIES ARE NOT SET UP AS A REPAIR PART. IF COIL HAS MULTIPLE LEAKS IN THE DISTRIBUTOR ASSEMBLY, THE COIL SHOULD BE REPLACED. Note2: ICM2 ELECTRONIC MODULE IS AVAILABLE AS A SEPERATE REPAIR PART, LB-90745J.