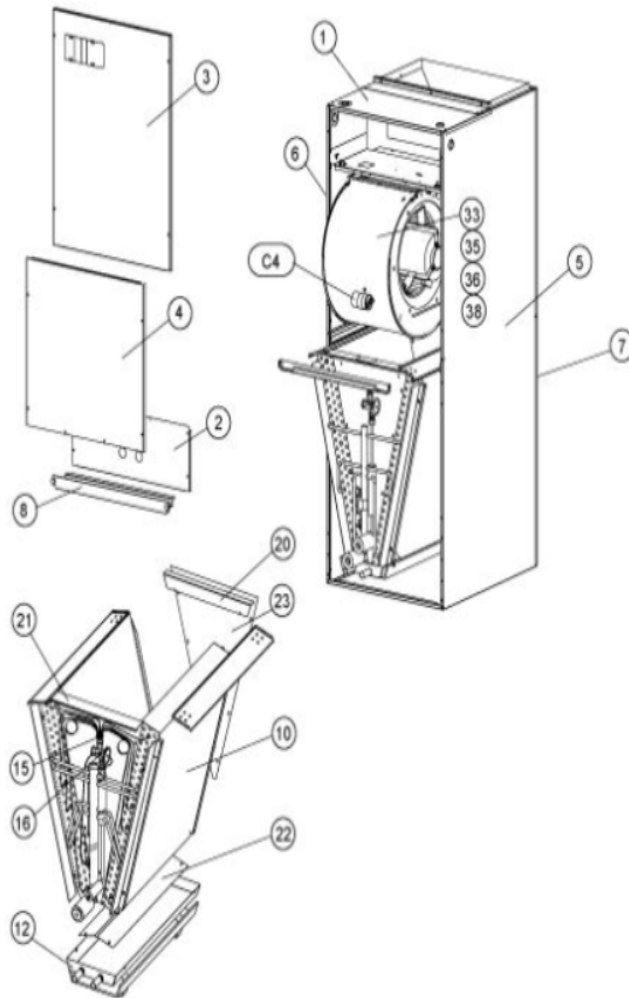
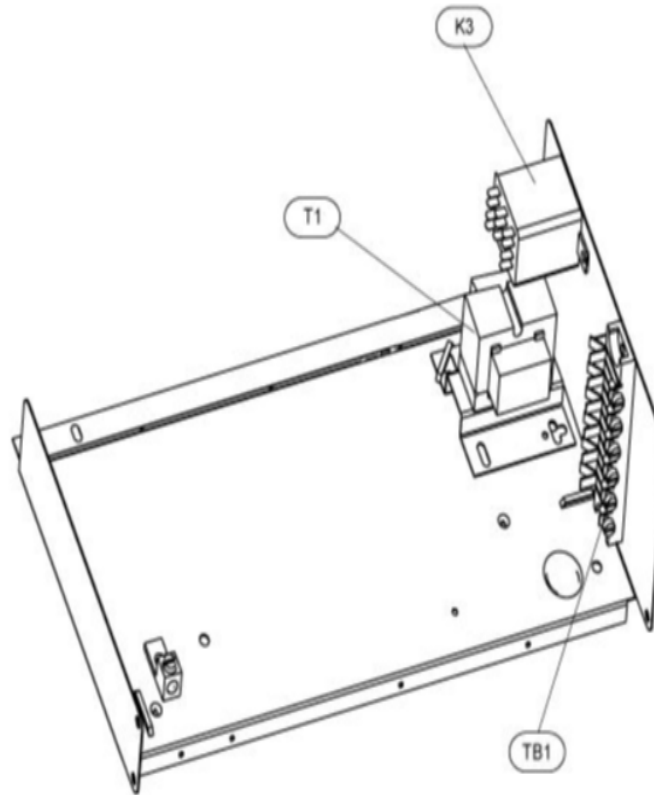


CB30U SERIES



COOLING-COIL/BLOWER COILS
MARCH, 2007
SUPERCEDES JULY, 1996

CB30U CONTROL PANEL



Revision Number - 2P

BLOWER PARTS

Callout	Name	Quantity	Description
	HARNES- WIRING Cat #: 64K20 Model/Part #: LB-74239	1	BLOWER MTR
	PLATE-CUTOFF Cat #: 93K60 Model/Part #: LB-89876	1	CUTOFF PLATE
35	HOUSING-BLOWER Cat #: 53K60 Model/Part #: 53K6001	1	BLOWER HOUSING S.A.
36	MOTOR-BLOWER Cat #: 34K76 Model/Part #: 34K7601	1	1/3HP, 825 RPM, 208-230/60/1
38	WHEEL-BLOWER Cat #: 21708 Model/Part #: LB-29333BJ	1	1/2" BORE, 10" X 8"
C4	CAPACITOR Cat #: 53H06 Model/Part #: 39H6301	1	15MFD, 370VAC

CABINET PARTS

Callout	Name	Quantity	Description
	FILTER-AIR"15"" X 20"" X 1"" Cat #: Model/Part #:	1	
	KIT-HARDWARE Cat #: 97M37 Model/Part #: LB-110418A	1	PKG OF 10 FOR FILTER DOOR
1	CAP-CABINET Cat #: 72M02 Model/Part #: LB-107656C	1	TOP CAP
2	PLATE Cat #: 72M50 Model/Part #: LB-107656BL	1	PATCH
3	PANEL Cat #: 72M03 Model/Part #: LB-107656D	1	BLOWER
4	PANEL Cat #: 72M31 Model/Part #: LB-107656AM	1	LOWER
5	WRAPPER Cat #: 72M01 Model/Part #: LB-107656B	1	RIGHT

Callout	Name	Quantity	Description
6	WRAPPER Cat #: 72M00 Model/Part #: LB-107656A	1	LEFT
7	WRAPPER Cat #: 72M12 Model/Part #: LB-107656N	1	REAR
8	PANEL Cat #: 72M06 Model/Part #: LB-107656G	1	FILTER ACCESS

COOLING PARTS

Callout	Name	Quantity	Description
	FUSE 3 AMP 32 VOLT Cat #: 25J49 Model/Part #: 25J4901	1	TRANSFORMER- 3 AMP
	LIQUID LINE Cat #: 44L35 Model/Part #: 44L3501	1	SWEAT ASSY INCLUDES SCREEN
	WASHER KIT Cat #: 49J23 Model/Part #: 49J2301PR	1	PKG(12)
	HARNESS-WIRING Cat #: 78K52 Model/Part #: LB-74237	1	POWER
	HARNESS-WIRING Cat #: 32L79 Model/Part #: LB-74238	1	CONTROL
	CHANNEL Cat #: LB-90323 Model/Part #: LB-90323	2	CONDENSATE
	LIQUID LINE KIT Cat #: 69J46 Model/Part #: LB-95325A	1	INCL TEN LIQUID LINES(44L35) + WASHERS&N
10	COIL-INDOOR Cat #: 68K25 Model/Part #: LB-89872B	1	W/MANIFOLD
12	PAN-DRAIN Cat #: 68K41 Model/Part #: LB-90804A	1	DR PAN
15	DISTRIBUTOR ASSY (FOOTNOTE 1) Cat #: Model/Part #:	1	
16	VALVE-EXPANSION	1	(R22)

Callout	Name	Quantity	Description
	Cat #: 37J69 Model/Part #: 37J6901		
16	VALVE-EXPANSION Cat #: 49L24 Model/Part #: 49L2401	1	(R410A)
20	SEAL-COIL Cat #: LB-90321 Model/Part #: LB-90321	1	REAR
21	SEAL-COIL Cat #: LB-90320 Model/Part #: LB-90320	1	FRONT-TOP
22	SEAL-COIL Cat #: LB-90299 Model/Part #: LB-90299	1	BOTT
23	SEAL-COIL Cat #: LB-90319 Model/Part #: LB-90319	2	FRONT&REAR
K3	RELAY Cat #: 69J57 Model/Part #: 69J5701	1	ID BLR, DPDT, 24V
T1	TRANSFORMER Cat #: 51M10 Model/Part #: 51M1001	1	208/240V PRI, 24V SEC, 40VA W/ FUSE
TB1	STRIP-TERMINAL Cat #: 18K71 Model/Part #: 18K7101	1	TERMINAL BLOCK

Note:

DISTRIBUTOR ASSEMBLIES ARE NOT SET UP AS A REPAIR PART. IF COIL HAS MULTIPLE LEAKS IN THE DISTRIBUTOR ASSEMBLY, THE COIL SHOULD BE REPLACED.