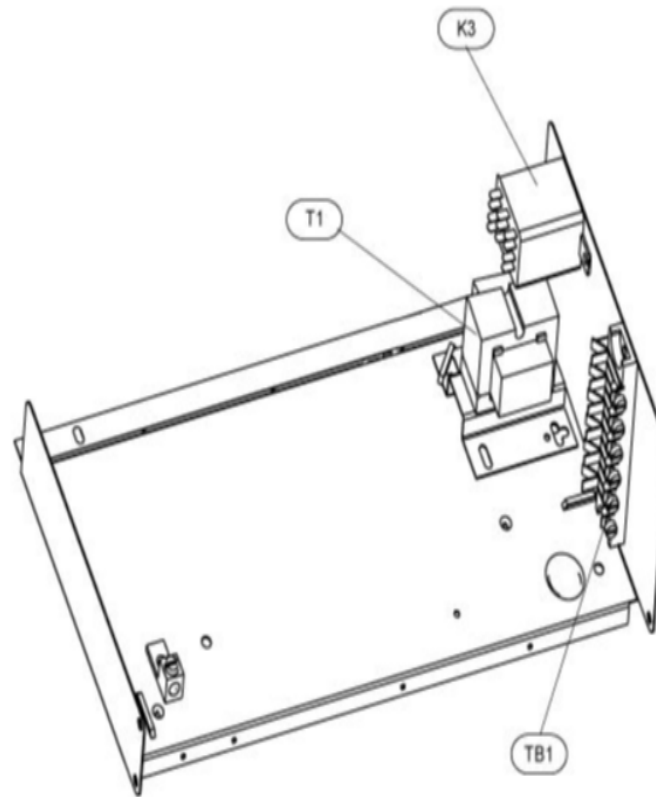


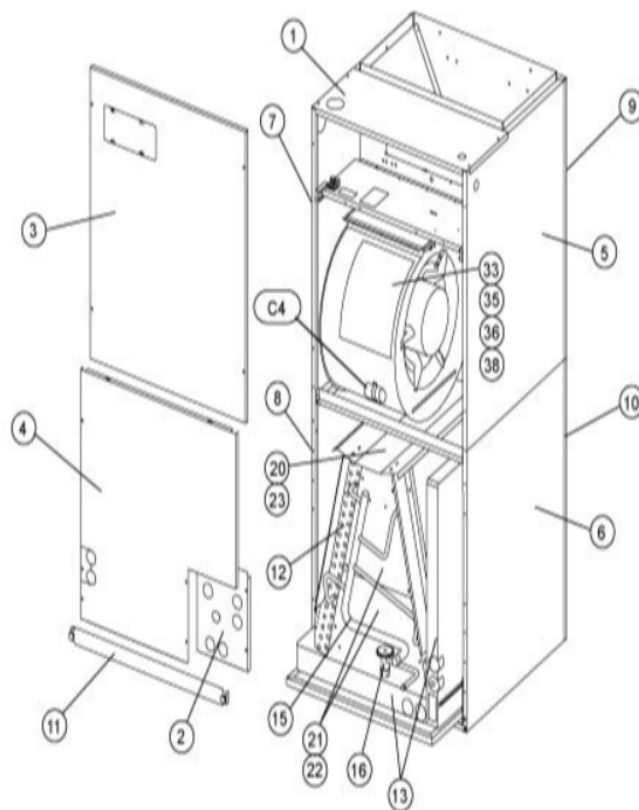
COOLING-COIL/BLOWER COILS  
MARCH, 2007  
SUPERCEDES NOVEMBER, 1995

### CB30M CONTROL PANEL



COOLING-COIL/BLOWER COILS  
MARCH, 2007  
SUPERCEDES NOVEMBER, 1995

### CB30M SERIES



Revision Number - 1P

## BLOWER PARTS

| Callout | Name  | Quantity | Description                 |
|---------|---|----------|-----------------------------|
|         | HARNES- WIRING<br>Cat #: 64K20 Model/Part #: LB-74239   | 1        | BLOWER MOTOR(208/230V)      |
|         | PLATE-CUTOFF<br>Cat #: 11L49 Model/Part #: LB-88459     | 1        | CUTOFF PLATE                |
| 33      | ARM-MOTOR MTG<br>Cat #: 89K26 Model/Part #: LB-59076CC  | 3        | MOUNT-MTR                   |
| 35      | HOUSING-BLOWER<br>Cat #: 71M72 Model/Part #: LB-107661B | 1        | W/CUTOFF PLATE              |
| 36      | MOTOR-BLOWER<br>Cat #: 93J67 Model/Part #: 93J6701      | 1        | "1/3HP,825RPM,208-230/60/1" |
| 38      | WHEEL-BLOWER<br>Cat #: 10H00 Model/Part #: LB-29333BBW  | 1        | "1/2""BORE,11""X8""         |
| C4      | CAPACITOR<br>Cat #: 53H06 Model/Part #: 39H6301         | 1        | "15MFD,370VAC"              |

## CABINET PARTS

| Callout | Name  | Quantity | Description               |
|---------|---|----------|---------------------------|
|         | FILTER-AIR"20"" X 20"" X 1""<br>Cat #: Model/Part #:  | 1        |                           |
|         | CLIP-FILTER<br>Cat #: 49K46 Model/Part #: 49K4601     | 3        | CLIP-FILTER               |
|         | KIT-HARDWARE<br>Cat #: 97M37 Model/Part #: LB-110418A | 1        | PKG OF 10 FOR FILTER DOOR |
|         | SPACER-FILTER<br>Cat #: 43L91 Model/Part #: LB-74258  | 1        | FILTER SPACER*            |
| 1       | CAP-CABINET<br>Cat #: 72M09 Model/Part #: LB-107656K  | 1        | TOP CAP                   |
| 2       | PLATE<br>Cat #: 72M05 Model/Part #: LB-107656F        | 1        | PATCH                     |

| <b>Callout</b> | <b>Name</b>                                       | <b>Quantity</b> | <b>Description</b> |
|----------------|---|-----------------|--------------------|
| 3              | PANEL<br>Cat #: 72M27 Model/Part #: LB-107656AH   | 1               | BLOWER             |
| 4              | PLATE<br>Cat #: 72M04 Model/Part #: LB-107656E    | 1               | PLUMBING           |
| 5              | WRAPPER<br>Cat #: 72M22 Model/Part #: LB-107656AC | 1               | TOP-RIGHT          |
| 6              | WRAPPER<br>Cat #: 72M26 Model/Part #: LB-107656AG | 1               | BOTT-RIGHT         |
| 7              | WRAPPER<br>Cat #: 72M21 Model/Part #: LB-107656AB | 1               | TOP-LEFT           |
| 8              | WRAPPER<br>Cat #: 72M25 Model/Part #: LB-107656AF | 1               | BOTT-LEFT          |
| 9              | WRAPPER<br>Cat #: 72M23 Model/Part #: LB-107656AD | 1               | TOP-REAR           |
| 10             | WRAPPER<br>Cat #: 72M24 Model/Part #: LB-107656AE | 1               | BOTT-REAR          |
| 11             | PANEL<br>Cat #: 72M06 Model/Part #: LB-107656G    | 1               | FILTER ACCESS      |

## CONTROL PANEL PARTS

| <b>Callout</b> | <b>Name</b>  | <b>Quantity</b> | <b>Description</b>                 |
|----------------|--|-----------------|------------------------------------|
|                | FUSE 3 AMP 32 VOLT<br>Cat #: 25J49 Model/Part #: 25J4901 | 1               | FUSE (AUTO) - 3 AMP                |
|                | HARNESS-WIRING<br>Cat #: 78K52 Model/Part #: LB-74237    | 1               | POWER(208/240 & 460V)              |
|                | HARNESS-WIRING<br>Cat #: 32L79 Model/Part #: LB-74238    | 1               | CONTROL(208/230V)                  |
| K3             | RELAY<br>Cat #: 69J57 Model/Part #: 69J5701              | 1               | "ID BLR,DPDT,24V"                  |
| T1             | TRANSFORMER<br>Cat #: 13H28 Model/Part #: 13H2801        | 1               | "208/240V PRI,24V SEC,70VA L/FUSE" |
| TB1            | STRIP-TERMINAL   | 1               | TERMINAL BLOCK                     |

| Callout | Name                               | Quantity | Description |
|---------|------------------------------------|----------|-------------|
|         | Cat #: 18K71 Model/Part #: 18K7101 |          |             |

## COOLING PARTS

| Callout | Name  | Quantity | Description                                    |
|---------|---|----------|--|
|         | LIQUID LINE<br>Cat #: 44L35 Model/Part #: 44L3501       | 1        | SWEAT ASSY<br>INCLUDES SCREEN                  |
|         | WASHER KIT<br>Cat #: 49J23 Model/Part #: 49J2301PR      | 1        | PKG(12)  |
|         | CHANNEL<br>Cat #: 64K05 Model/Part #: LB-88628          | 1        | DRAIN  |
|         | CHANNEL<br>Cat #: 64K06 Model/Part #: LB-88651          | 2        | CONDENSATE                                     |
|         | LIQUID LINE KIT<br>Cat #: 69J46 Model/Part #: LB-95325A | 1        | INCL TEN LIQUID<br>LINES(44L35) +<br>WASHERS&N |
| 12      | COIL-INDOOR<br>Cat #: 57K60 Model/Part #: LB-90287H     | 1        | W/MANIFOLD                                     |
| 13      | PAN-DRAIN<br>Cat #: 93J59 Model/Part #: 93J5901         | 1        | (HORIZONTAL)                                   |
| 13      | PAN-DRAIN<br>Cat #: 68K32 Model/Part #: LB-90788C       | 1        | PAN-DRAIN                                      |
| 15      | DISTRIBUTOR ASSY (FOOTNOTE 1)<br>Cat #: Model/Part #:   | 1        |  |
| 16      | VALVE-EXPANSION<br>Cat #: 37J69 Model/Part #: 37J6901   | 1        | (R22)  |
| 16      | VALVE-EXPANSION<br>Cat #: 49L24 Model/Part #: 49L2401   | 1        | (R410A)  |
| 20      | SEAL-COIL<br>Cat #: LB-88615 Model/Part #: LB-88615     | 1        | REAR   |
| 21      | SEAL-COIL<br>Cat #: 40W91 Model/Part #: 600580-01       | 1        | FRONT-TOP                                      |
| 22      | SEAL-COIL   | 1        | FRONT-BOTTOM                                   |

| <b>Callout</b> | <b>Name</b>                                      | <b>Quantity</b> | <b>Description</b> |
|----------------|--|-----------------|--------------------|
|                | Cat #: 40W92 Model/Part #: 600581-01             |                 |                    |
| 23             | SEAL-COIL<br>Cat #: 23M90 Model/Part #: LB-88432 | 1               | TOP                |

**Note:**

DISTRIBUTOR ASSEMBLIES ARE NOT SET UP AS A REPAIR PART. IF COIL HAS MULTIPLE LEAKS IN THE DISTRIBUTOR ASSEMBLY, THE COIL SHOULD BE REPLACED.