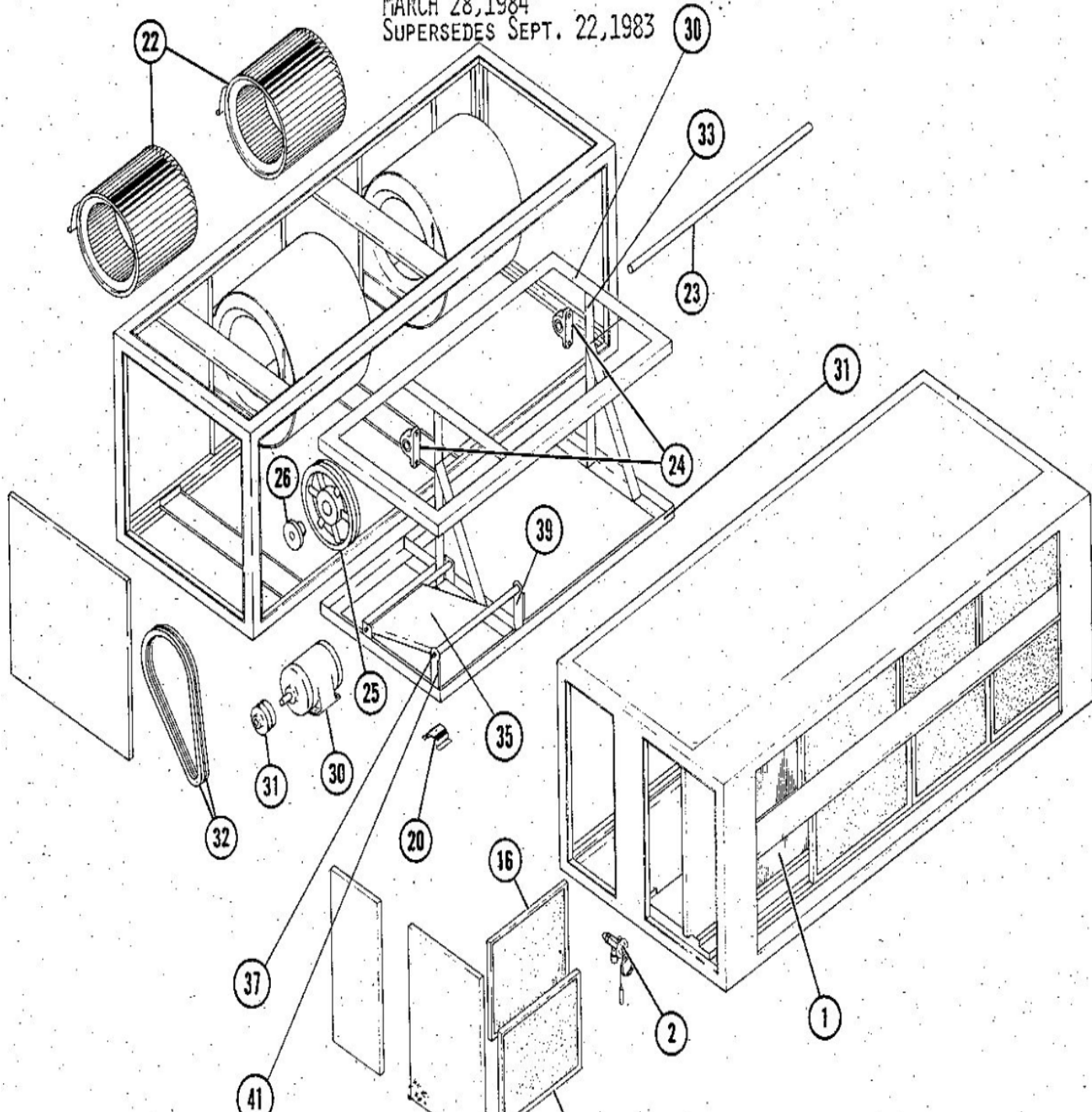


CB3/CB32 SERIES
MARCH 28, 1984
SUPERSEDES SEPT. 22, 1983



Revision Number - 2

BLOWER PARTS

Callout	Name	Quantity	Description
	PLATE-CUTOFF Cat #: LB-8332 Model/Part #: LB-8332	2	PLATE-CUTOFF
	FRAME-BLOWER Cat #: LB-9117 Model/Part #: LB-9117	1	FRAME-BLOWER
	HOUSING-BLOWER Cat #: 47A49 Model/Part #: LB-9119	2	HOUSING-BLO
	MOUNT Cat #: 59263 Model/Part #: P-5-175	2	"1"" WIDE VIBRO-INSULATOR"
	KEY-WOODRUFF Cat #: 21606 Model/Part #: P-8-5874	2	"1/4"" X 1""
20	MOUNT Cat #: 67367 Model/Part #: P-5-144	2	"3"" WIDE VIBRO-INSULATOR"
22	WHEEL-BLOWER Cat #: 21602 Model/Part #: P-5-173	2	"1-3/16""BORE 15"" X 11""
23	SHAFT-BLOWER Cat #: 21642 Model/Part #: LB-9120D	1	"1-3/16""DIA X 51-1/4""
24	BEARING Cat #: 56627 Model/Part #: P-5-110	2	"BLOWER-1-3/16""BORE-BALL"
25	PULLEY-BLOWER Cat #: 56947 Model/Part #: P-8-1847	1	"10.4""PD,""B""GROOVE,2 GROOVE (INTL ONL
25	PULLEY-BLOWER Cat #: 56960 Model/Part #: P-8-1985	1	"12.4""PD,""B""GROOVE,2 GROOVE"
26	HUB-PULLEY Cat #: P-8-3029 Model/Part #: P-8-3029	1	"1-3/16""TAPER BUSHING"
26	HUB-PULLEY Cat #: 85720 Model/Part #: P-8-5431	1	"1-3/16""SPLIT TAPER BUSHING"
35	BASE-MOTOR Cat #: LB-43147CA Model/Part #: LB-43147CA	1	(INTL ONLY)
35	BASE-MOTOR	1	BASE-MOTOR

Callout	Name	Quantity	Description
	Cat #: LB-9115 Model/Part #: LB-9115		
37	ROD-HINGE Cat #: 21G86 Model/Part #: LB-42858	2	ROD-HINGE
39	ARM-MOTOR ADJ Cat #: 21G85 Model/Part #: LB-9118	1	"W/3-1/2"" SPACER ROD"
41	ARM-MOTOR ADJ Cat #: 21G84 Model/Part #: LB-10485	1	ARM-ADJ

CABINET PARTS

Callout	Name	Quantity	Description
	PANEL Cat #: LB-42843 Model/Part #: LB-42843	1	ID COIL SECTION- PIPING RIGHT (50/50-4R)
	PANEL Cat #: LB-42844 Model/Part #: LB-42844	1	ID COIL SECTION- PIPING RIGHT (50/50-6R)
	PANEL Cat #: 50273 Model/Part #: LB-8957	1	REAR BLOWER SECTION
	PANEL Cat #: 50168 Model/Part #: LB-8959	4	CLOSURE-TOP & BOTTOM
	PANEL Cat #: 50274 Model/Part #: LB-8960	1	BLOWER SECTION
	PANEL Cat #: 50189 Model/Part #: LB-9338	2	END-INDOOR COIL SECTION
	PANEL Cat #: LB-9341 Model/Part #: LB-9341	1	ID COIL SECTION- PIPING LEFT (50/50-4R)
	PANEL Cat #: LB-9342 Model/Part #: LB-9342	1	ID COIL SECTION- PIPING LEFT (50/50-6R)
	PANEL Cat #: LB-9343 Model/Part #: LB-9343	2	PIPING-CHILLED WATER
	HANDLE-DOOR	4	HANDLE

Callout	Name	Quantity	Description
	Cat #: 85556 Model/Part #: P-8-7179		
	CLIP-TINNERMAN Cat #: 85792 Model/Part #: P-8-7271	50	CLIP-TINRMN

CHILLED WATER PARTS

Callout	Name	Quantity	Description
	COIL-CHILLED WATER Cat #: 11G86 Model/Part #: 8-6-4925B1	1	W/MANIFOLD
	COIL-HOT WATER Cat #: 8-6-4927C2 Model/Part #: 8-6-4927C2	1	W/MANIFOLD(OPTIONAL)

COOLING PARTS

Callout	Name	Quantity	Description
	COIL-HOT WATER Cat #: 8-6-4927C2 Model/Part #: 8-6-4927C2	1	"50/50 SPLIT-4 ROW,W/MANIFOLD (OPTIONAL)
	PAN-DRAIN Cat #: LB-9345 Model/Part #: LB-9345	1	PAN-DRAIN
	DISTRIBUTOR Cat #: 37855 Model/Part #: P-8-4353	2	L/TUBES
	DISTRIBUTOR Cat #: 37944 Model/Part #: P-8-6662	2	L/TUBES(50/50-6R)
	STRAINER Cat #: 66509 Model/Part #: P-8-709	2	STRAINR-REFR
	ELEMENT-THERMO Cat #: 38410 Model/Part #: P-8-8726	2	FOR EXPANSION VALVE P-8-2770
	ELEMENT-THERMO Cat #: 38411 Model/Part #: P-8-8727	2	FOR EXP VALVES 93C8101 & P-8-8355
1	COIL-INDOOR Cat #: 8-6-2750A1 Model/Part #: 8-6-2750A1	1	"50/50 SPLIT-6 ROW,W/MANIFOLD"

Callout	Name	Quantity	Description
1	COIL-INDOOR Cat #: LB-44498B Model/Part #: LB-44498B	1	"50/50 SPLIT-4 ROW,W/MANIFOLD"
2	VALVE-EXPANSION Cat #: 93C81 Model/Part #: 93C8101	2	"5/8""ODF INLET,1- 1/8""ODF OUTLET(50/50-
2	VALVE-EXPANSION Cat #: 31952 Model/Part #: P-8-2770	2	"7/8""ODF INLET,1- 3/8""ODF OUTLET(50/50-
2	VALVE-EXPANSION Cat #: 38308 Model/Part #: P-8-8355	2	VALVE-EXPANSION
16	FILTER-AIR Cat #: 30334 Model/Part #: P-8-7820	6	"15-5/8 X 19-5/8 X 1,SLAB"
17	FILTER Cat #: 30335 Model/Part #: P-8-7822	2	"15-5/8 X 24-5/8 X 1,SLAB"

Note:

There are no technical notes for this product.