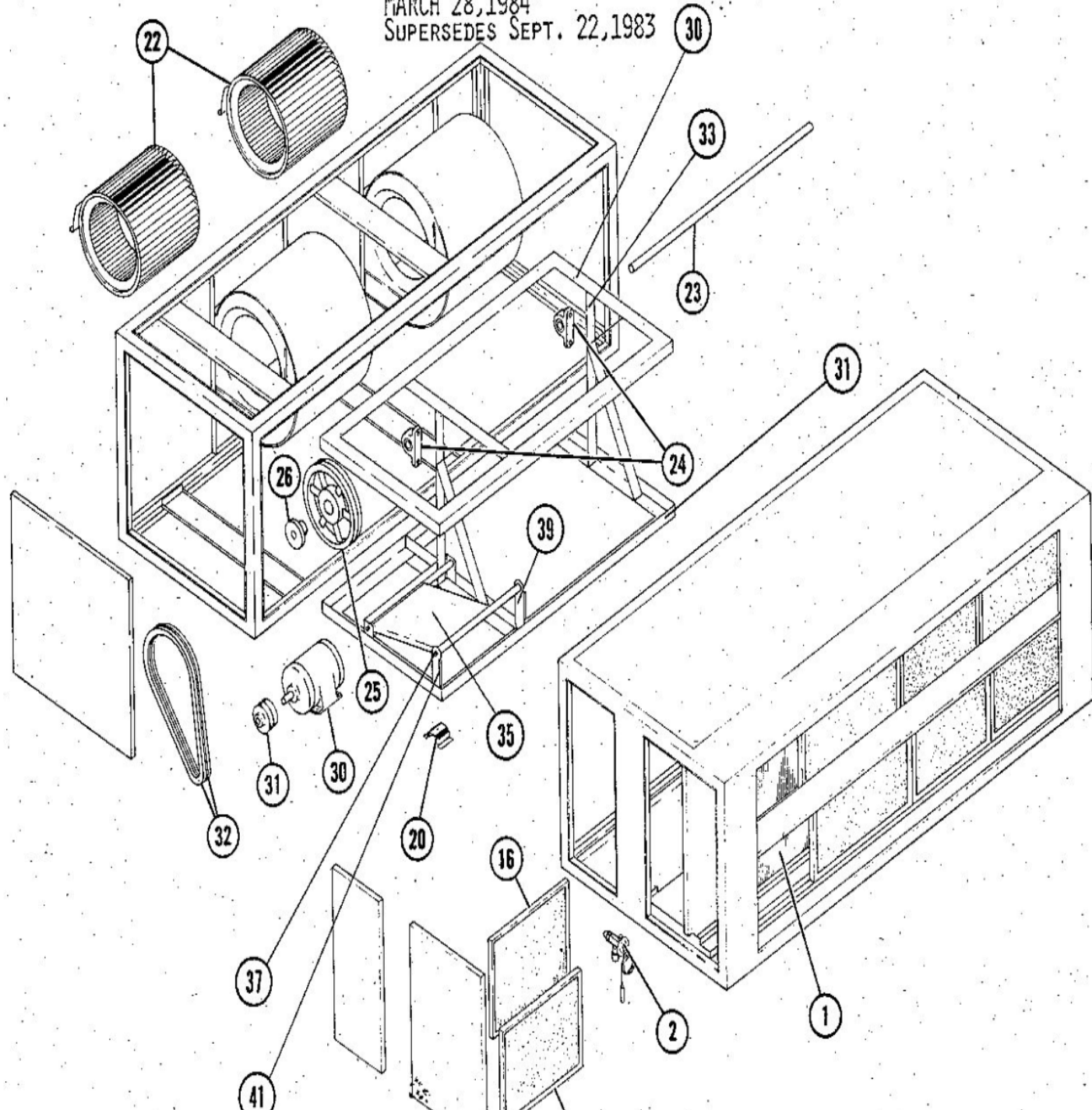


CB3/CB32 SERIES
MARCH 28, 1984
SUPERSEDES SEPT. 22, 1983



Revision Number - 2

BLOWER PARTS

Callout	Name	Quantity	Description
	HOUSING-BLOWER Cat #: 38A01 Model/Part #: LB-7209	2	HOUSING-BLR SA
	PLATE-CUTOFF Cat #: LB-8332 Model/Part #: LB-8332	2	PLATE-CUTOFF
	FRAME-BLOWER Cat #: 38A03 Model/Part #: LB-9355	1	FRAME-BLR SA
	MOUNT Cat #: 59263 Model/Part #: P-5-175	2	"1" WIDE VIBRO-INSULATOR"
20	MOUNT Cat #: 67367 Model/Part #: P-5-144	2	"3" WIDE VIBRO-INSULATOR"
22	WHEEL-BLOWER Cat #: P-5-162 Model/Part #: P-5-162	2	"1-3/16"BORE,15 X 11 (3HP UNITS ONLY)"
22	WHEEL-BLOWER Cat #: P-5-76 Model/Part #: P-5-76	2	"1"BORE,15-3/4"
23	SHAFT-BLOWER Cat #: 67357 Model/Part #: LB-8852	1	"1"DIA X 41-5/8"
24	BEARING Cat #: 66027 Model/Part #: P-5-100	2	"BLOWER-1" BORE-BALL"
24	BEARING Cat #: 56627 Model/Part #: P-5-110	2	"BLOWER-1-3/16" BORE-BALL (3HP UNITS ON
25	PULLEY-BLOWER(3HP UNITS ONLY-FOOTNOTE 1) Cat #: Model/Part #:	2	
25	PULLEY-BLOWER Cat #: 32553 Model/Part #: P-8-5047	2	"1"BORE,11-13/32"OD"A-B" GROOVE"
35	BASE-MOTOR Cat #: 50A39 Model/Part #: LB-8846	1	BASE S.A.

Callout	Name	Quantity	Description
37	ROD-HINGE Cat #: 50A40 Model/Part #: LB-8849	2	ROD - HINGE
39/41	BRACKET Cat #: 86070 Model/Part #: LB-2606	2	Arm-Motor Base Adjustment

CABINET PARTS

Callout	Name	Quantity	Description
	PANEL Cat #: 50268 Model/Part #: LB-8196	1	BLOWER SECTION
	PANEL Cat #: LB-8197 Model/Part #: LB-8197	1	REAR BLOWER SECTION
	PANEL Cat #: 76A51 Model/Part #: LB-8459	4	FILLER-TOP & BOTTOM
	PANEL Cat #: 50390 Model/Part #: LB-9085	2	END-INDOOR COIL SECTION
	PANEL Cat #: 50391 Model/Part #: LB-9086	2	I.D.COIL SECTION- PIPING
	PANEL Cat #: LB-9367 Model/Part #: LB-9367	2	I.D.COIL SECTION- PIPING (50/50-6R COIL)
	PANEL Cat #: LB-9368 Model/Part #: LB-9368	2	I.D. COIL SECTION- PIPING (50/50-4R COIL)
	HANDLE-DOOR Cat #: 85556 Model/Part #: P-8-7179	4	HANDLE
	CLIP-TINNERMAN Cat #: 85792 Model/Part #: P-8-7271	28	CLIP-TINRMN

CHILLED WATER PARTS

Callout	Name	Quantity	Description
	COIL-CHILLED WATER Cat #: 8-6-8006B Model/Part #: 8-6-8006B	1	W/MANIFOLD

Callout	Name	Quantity	Description
	COIL-HOT WATER Cat #: 40F23 Model/Part #: 8-6-8008B	1	W/MANIFOLD

COOLING PARTS

Callout	Name	Quantity	Description
	COIL-HOT WATER Cat #: 40F23 Model/Part #: 8-6-8008B	1	W/MANIFOLD
	DISTRIBUTOR Cat #: 81A66 Model/Part #: 81A6601	1	L/TUBES
	PAN-DRAIN Cat #: 44A72 Model/Part #: LB-9078	1	PAN-DRAIN
	DISTRIBUTOR Cat #: 57986 Model/Part #: P-8-2419	2	L/TUBES-50/50-4R COIL
	DISTRIBUTOR Cat #: P-8-3262 Model/Part #: P-8-3262	1	L/TUBES
	DISTRIBUTOR Cat #: P-8-5840 Model/Part #: P-8-5840	2	L/TUBES-50/50-6R COIL
	STRAINER Cat #: 66508 Model/Part #: P-8-708	2	50/50 SPLIT COILS
	STRAINER Cat #: 66509 Model/Part #: P-8-709	1	STRAINR-REFR
	ELEMENT-THERMO Cat #: 38410 Model/Part #: P-8-8726	2	FOR EXP VALVE P- 8-3763
	ELEMENT-THERMO Cat #: 38411 Model/Part #: P-8-8727	1	FOR EXPANSION VALVE 93C8101
1	COIL-INDOOR Cat #: 67671 Model/Part #: 8-6-2745A	1	"50/50 SPLIT,6 ROW,W/MANIFOLD"
1	COIL-INDOOR Cat #: LB-44490B Model/Part #: LB-44490B	1	"50/50 SPLIT,4 ROW,W/MANIFOLD"
1	COIL-INDOOR Cat #: LB-44491B Model/Part #: LB-44491B	1	W/MANIFOLD
2	VALVE-EXPANSION	1	VALVE- EXP

Callout	Name	Quantity	Description
	Cat #: 93C81 Model/Part #: 93C8101		
2	VALVE-EXPANSION Cat #: 66923 Model/Part #: P-8-1903	2	50/50-4R COIL
2	VALVE-EXPANSION Cat #: 68263 Model/Part #: P-8-3763	2	50/50-6R COIL
16	FILTER-AIR Cat #: 30334 Model/Part #: P-8-7820	3	"15-5/8 X 19-5/8 X 1,SLAB"
17	FILTER-AIR Cat #: 30336 Model/Part #: P-8-7829	1	"19-5/8 X 19-5/8 X 1,SLAB"

Note:

Note1: PULLEY FOR 3HP DRIVE IS INCLUDED IN DRIVE KIT.