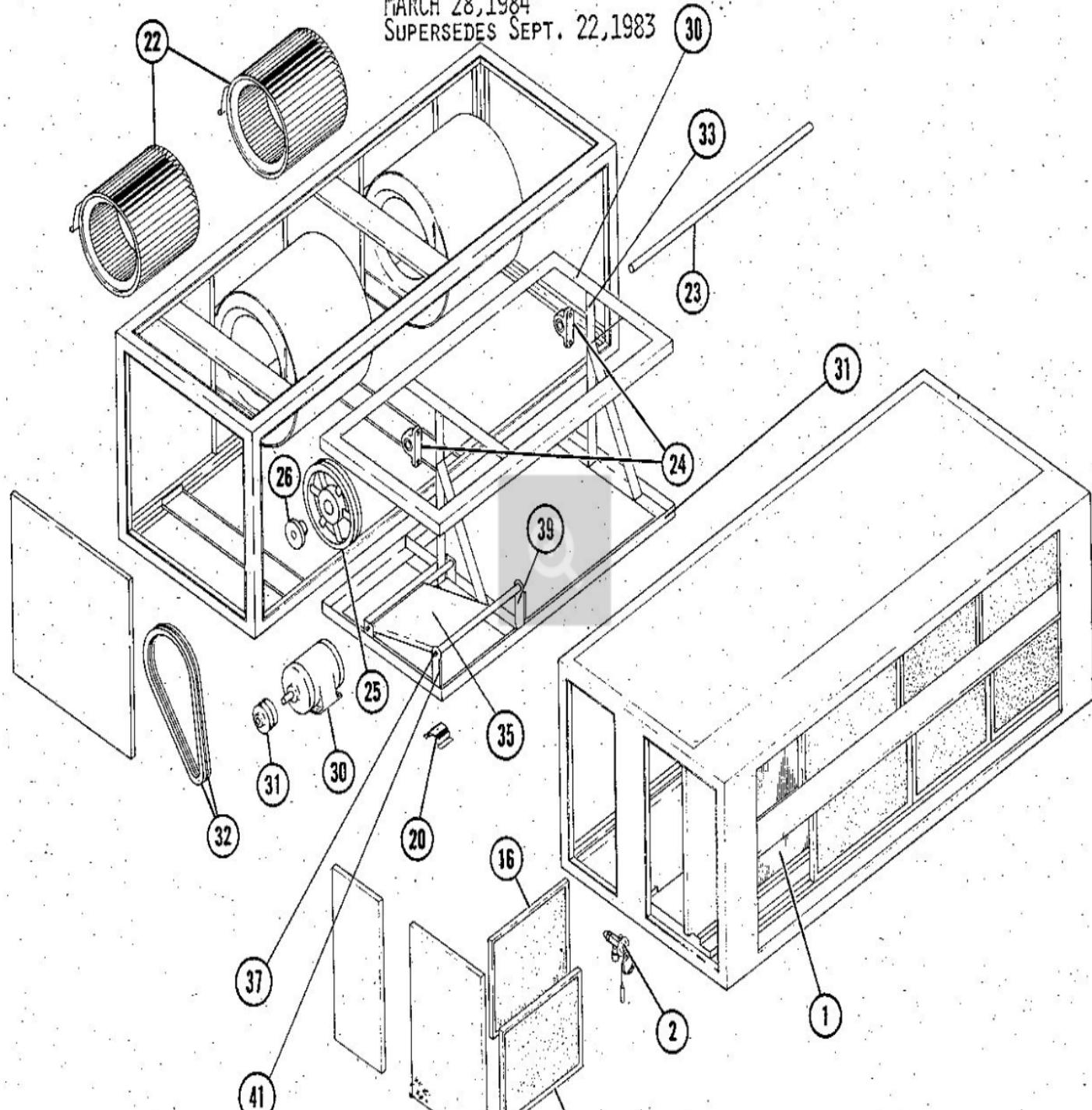


CB3/CB32 SERIES  
MARCH 28, 1984  
SUPERSEDES SEPT. 22, 1983



Revision Number - 0

## BLOWER PARTS

Callout	Name	Quantity	Description
	FRAME-BLOWER Cat #: 73G47 Model/Part #: 8-6-4183B	1	FRAME-BLOWER
	HOUSING-BLOWER Cat #: 38A01 Model/Part #: LB-7209	2	HOUSING-BLR SA
	PLATE-CUTOFF Cat #: LB-8332 Model/Part #: LB-8332	2	PLATE-CUTOFF
	MOUNT Cat #: 59263 Model/Part #: P-5-175	2	"1" WIDE VIBRO-INSULATOR"
20	MOUNT Cat #: 67367 Model/Part #: P-5-144	2	"3" WIDE VIBRO-INSULATOR"
22	WHEEL-BLOWER Cat #: P-5-162 Model/Part #: P-5-162	2	"1-3/16"BORE,15 X 11 (3HP UNITS ONLY)"
22	WHEEL-BLOWER Cat #: P-5-76 Model/Part #: P-5-76	2	"1"BORE,15-3/4"
23	SHAFT-BLOWER Cat #: 8-6-2430B Model/Part #: 8-6-2430B	1	"1"DIA X 41-5/8"
23	SHAFT-BLOWER Cat #: 8-6-4394C Model/Part #: 8-6-4394C	1	"1-3/16"DIA X 41-5/8"(3HP DRIVE ONLY)"
24	BEARING Cat #: 66027 Model/Part #: P-5-100	2	"BLOWER-1" BORE-BALL"
24	BEARING Cat #: 56627 Model/Part #: P-5-110	2	"BLOWER-1-3/16" BORE-BALL (3HP UNITS ON
25	PULLEY-BLOWER(3HP UNITS ONLY-FOOTNOTE 1) Cat #: Model/Part #:	2	
25	PULLEY-BLOWER Cat #: 32553 Model/Part #: P-8-5047	2	"1"BORE,11-13/32"OD"A-B" GROOVE"

Callout	Name	Quantity	Description
35	BASE-MOTOR Cat #: 8-6-4095B Model/Part #: 8-6-4095B	1	BASE-MOTOR
37	ROD-HINGE Cat #: 8-6-2431C Model/Part #: 8-6-2431C	2	ROD-HINGE
39/41	ARM-MOTOR ADJ Cat #: 8-6-4106C Model/Part #: 8-6-4106C	2	ARM-MOTOR ADJ

## CHILLED WATER PARTS

Callout	Name	Quantity	Description
	COIL-HOT WATER Cat #: 68760 Model/Part #: 8-6-4219B2	1	W/MANIFOLD
	COIL-CHILLED WATER Cat #: 8-6-5103A Model/Part #: 8-6-5103A	1	W/MANIFOLD

## COOLING PARTS

Callout	Name	Quantity	Description
	COIL-HOT WATER Cat #: 68760 Model/Part #: 8-6-4219B2	1	W/MANIFOLD
	PAN-DRAIN Cat #: 8-6-4220B Model/Part #: 8-6-4220B	1	PAN-DRAIN
	DISTRIBUTOR Cat #: 57986 Model/Part #: P-8-2419	2	L/TUBES-50/50-4R COIL
	DISTRIBUTOR Cat #: P-8-3262 Model/Part #: P-8-3262	1	L/TUBES
	DISTRIBUTOR Cat #: P-8-5840 Model/Part #: P-8-5840	2	L/TUBES-50/50-6R COIL
	FILTER-AIR Cat #: P-8-5878 Model/Part #: P-8-5878	3	"16 X 20 X 2,SLAB(ALTERNATE)"
	FILTER-AIR Cat #: P-8-5880 Model/Part #: P-8-5880	1	"20 X 20 X 2,SLAB(ALTERNATE)"
	STRAINER Cat #: 66508 Model/Part #: P-8-708	2	50/50 SPLIT COILS

<b>Callout</b>	<b>Name</b>	<b>Quantity</b>	<b>Description</b>
	STRAINER Cat #: 66916 Model/Part #: P-8-853	1	STRAINR-REFR
	ELEMENT-THERMO Cat #: 38410 Model/Part #: P-8-8726	1	FOR EXPANSION VALVE P-8-1141
	ELEMENT-THERMO Cat #: 38411 Model/Part #: P-8-8727	2	FOR EXP VALVE P-8- 1903
1	COIL-INDOOR Cat #: 69159 Model/Part #: 8-6-2450A3	1	W/MANIFOLD
1	COIL-INDOOR Cat #: 67671 Model/Part #: 8-6-2745A	1	"50/50 SPLIT,6 ROW,W/MANIFOLD"
1	COIL-INDOOR Cat #: LB-44490B Model/Part #: LB-44490B	1	"50/50 SPLIT,4 ROW,W/MANIFOLD"
2	VALVE-EXPANSION Cat #: 66580 Model/Part #: P-8-1141	1	VALVE-EXPANSION
2	VALVE-EXPANSION Cat #: 66923 Model/Part #: P-8-1903	2	50/50-4R COIL
2	VALVE-EXPANSION Cat #: 68263 Model/Part #: P-8-3763	2	50/50-6R COIL
16	FILTER-AIR Cat #: 8-3603B Model/Part #: 8-3603B	3	"16 X 24 X 1,SLAB"
17	FILTER-AIR Cat #: 8-3604B Model/Part #: 8-3604B	1	"20 X 24 X 1,SLAB"

**Note:**

Note1: PULLEY FOR 3HP DRIVE IS INCLUDED IN DRIVE KIT.