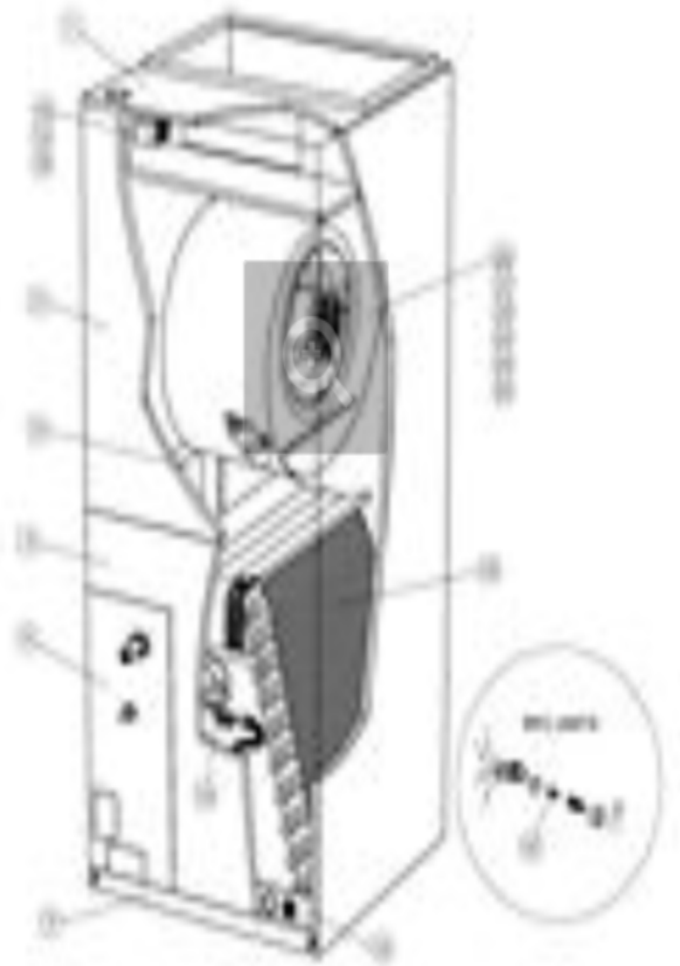
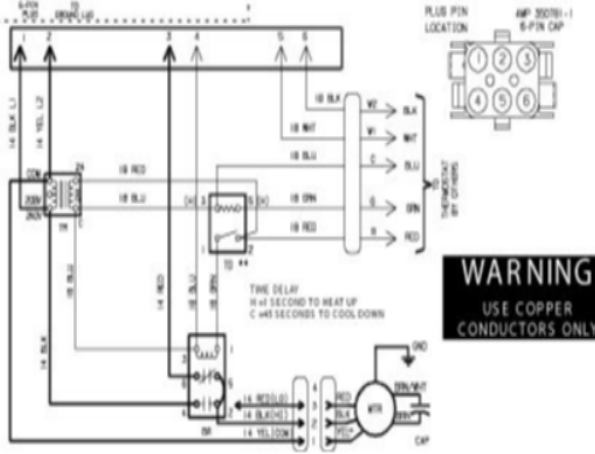
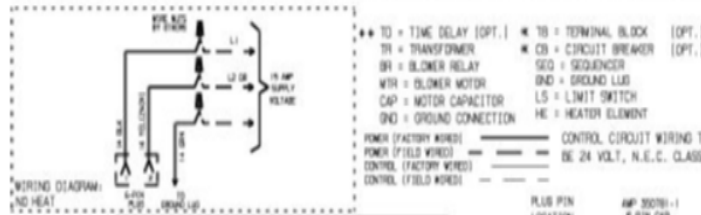
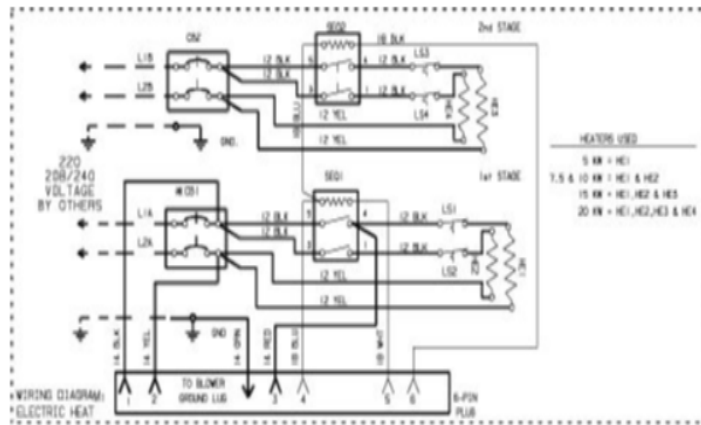


FOR THE USE OF BLINDS ONLY
REVISION 2018

CB26 / CBX26 SERIES





Revision Number - 1

BLOWER PARTS

Callout	Name	Quantity	Description
	RAIL,BLOWER RAH II Cat #: 42W48 Model/Part #: 65912400	2	RAIL, BLOWER
20	HOUSING-BLOWER L/RAILS Cat #: 13W01 Model/Part #: 65915900	1	BLOWER HSG W/WHEEL 12/X 9
21	WHEEL-BLOWER Cat #: 40F86 Model/Part #: LB-29333BBM	1	1/2" BORE, 12" X 9" nom.
22	MOTOR-BLOWER Cat #: 12W71 Model/Part #: 65915600	1	1/2 HP, 240/60/1 (2 SPD) BEFORE 6/1/2007
22	MOTOR-BLOWER Cat #: 41W54 Model/Part #: 65915601	1	1/2 HP, 240/60/1 (3 SPD) AFTER 6/1/2007
23	MOUNT-BAND Cat #: 13W16 Model/Part #: 65936700	1	BAND-MOTOR MTG
24	MOUNT-ARM Cat #: 13W15 Model/Part #: 65066100A-02	4	ARM
25	CAPACITOR-BLR MTR Cat #: 53H13 Model/Part #: 53H1301PR	1	20MFD, 370VAC (3 SPD MOTOR)
25	CAPACITOR-BLR MTR Cat #: 53H14 Model/Part #: 53H1401PR	1	25MFD, 370VAC (2 SPD MOTOR)

CABINET PARTS

Callout	Name	Quantity	Description
	DISTRIBUTOR ASSY (FOOTNOTE 1) Cat #: Model/Part #:	1	
	KIT-HARDWARE Cat #: 97M37 Model/Part #: LB-110418A	1	PKG OF 10 FOR FILTER DOOR
1	CAP-CABINET Cat #: 13W49 Model/Part #: 659239-07	1	CAP-CABINET

Callout	Name	Quantity	Description
2	PANEL-ACCESS Cat #: 96W71 Model/Part #: 659091-07	1	PANEL-ASSY-BLOWER
3	PANEL-ACCESS Cat #: 12W88 Model/Part #: 659093-07	1	PANEL-ASSY-ACCESS
4	PANEL Cat #: 12W91 Model/Part #: 659095-07	1	PATCH PLATE
5	PANEL-ACCESS Cat #: 12W93 Model/Part #: 659056-04	1	PANEL-FILTER COVER

CONTROL PANEL PARTS

Callout	Name	Quantity	Description
	104798-01 Harness-Wire (Complete Unit) Cat #: 74W17 Model/Part #: 74W17	1	65689900 Harness-Wire (Complete Unit)
14	TRANSFORMER Cat #: 38M45 Model/Part #: 38M4501	1	208/240V PRI, 24V SEC, 40VA
15	RELAY-BLOWER Cat #: 13W13 Model/Part #: 99018600	1	RELAY
16	RELAY-TIME DELAY Cat #: 19W66 Model/Part #: 76700452	1	1 SEC ON, 45 SEC OFF (AFTER 1/1/2006)
16	RELAY-TIME DELAY Cat #: 13W12 Model/Part #: 99018100	1	30 SEC ON, 30 SEC OFF (BEFORE 1/1/2006)

COOLING PARTS

Callout	Name	Quantity	Description
	DISTRIBUTOR ASSY (FOOTNOTE 1) Cat #: Model/Part #:	1	
	LIQUID LINE Cat #: 44L35 Model/Part #: 44L3501	1	SWEAT ASSY W/SCREEN
	WASHER KIT	1	PACKAGE OF 12

Callout	Name	Quantity	Description
	Cat #: 49J23 Model/Part #: 49J2301PR		
	LIQUID LINE KIT Cat #: 69J46 Model/Part #: LB-95325A	1	Liquid Line
10	COIL-INDOOR Cat #: 12W76 Model/Part #: 659243-03	1	W/MANIFOLD (LESS DRAIN PAN)
11	PAN-DRAIN Cat #: 12W82 Model/Part #: 65927302	1	(HORIZONTAL)
12	PAN-DRAIN Cat #: 12W79 Model/Part #: 65927200	1	(VERTICAL)
13	VALVE-EXPANSION 3.5-6 TON (R410A) Cat #: 91M02 Model/Part #: 100188-02	1	VALVE, EXPANSION 3.5 - 6 TON (R410A)
13	KIT-RFC Cat #: 11W15 Model/Part #: 100484-44	1	RFC KIT ASSY (.098)
13	VALVE-EXPANSION Cat #: 56J20 Model/Part #: LB-85759G	1	LB-85759G TXV Kit (R-22) 3.5-5 Ton

Note:

Note1: DISTRIBUTOR ASSEMBLIES ARE NOT SET UP AS A REPAIR PART. IF COIL HAS MULTIPLE LEAKS IN THE DISTRIBUTOR ASSEMBLY, THE COIL SHOULD BE REPLACED.