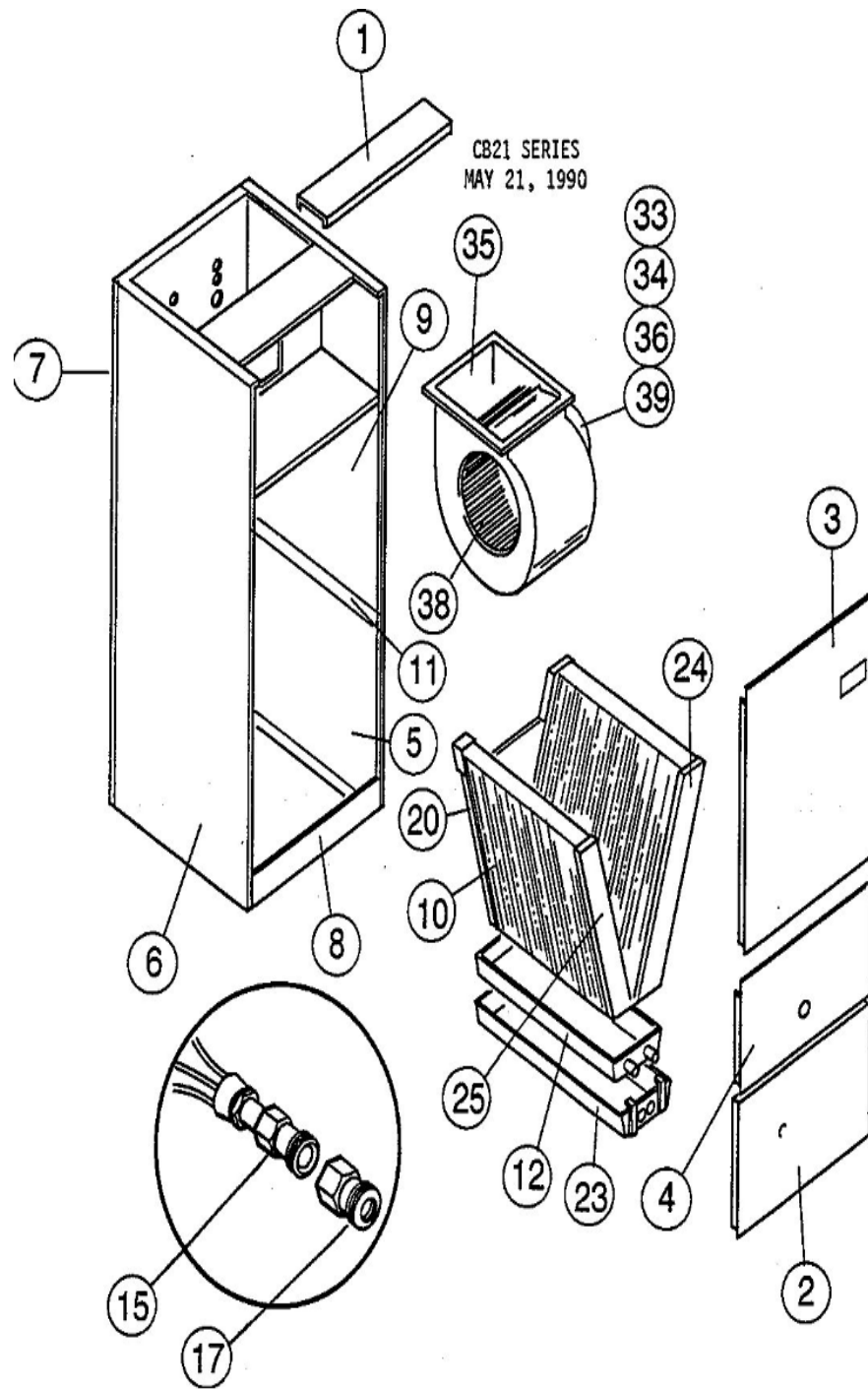
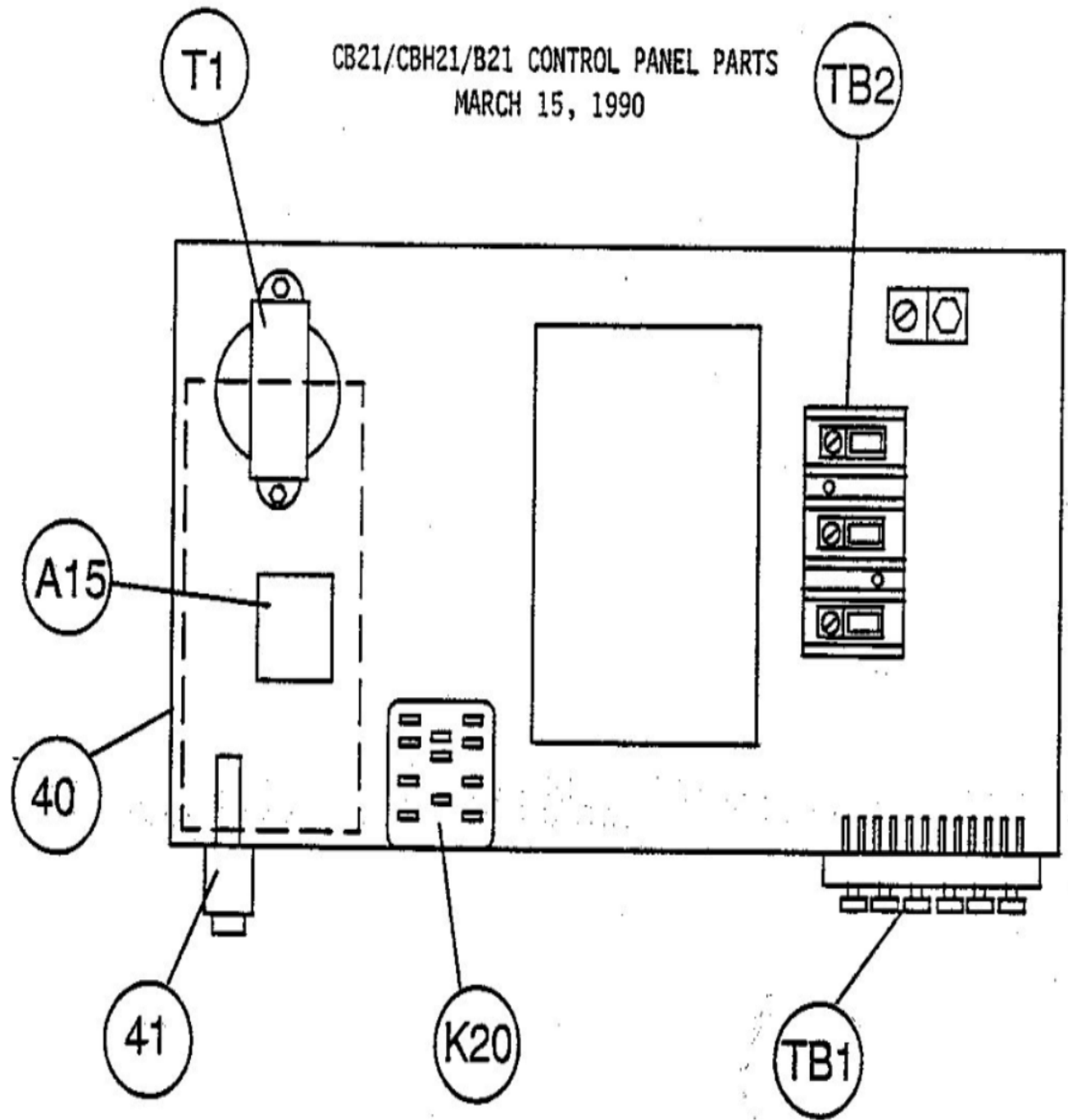


CB21 SERIES
MAY 21, 1990



CB21/CBH21/B21 CONTROL PANEL PARTS
MARCH 15, 1990



Revision Number - 2

BLOWER PARTS

Callout	Name	Quantity	Description
	PLATE-CUTOFF Cat #: 46G30 Model/Part #: LB-15558D	1	PLATE-CUT OFF (12 x 9)
	HARNESS-WIRING Cat #: 81J36 Model/Part #: LB-65895A	1	POWER
	HARNESS-WIRING Cat #: 81J35 Model/Part #: LB-85886A	1	CONTROL
	MODULE-CONTROL Cat #: 66K52 Model/Part #: LB-90745B	1	(ICM2)- MODULE LESS MOTOR(FOOTNOTE 1)
33	MOUNT-MOTOR Cat #: 98G23 Model/Part #: 98G2301	3	ARM, MOTOR MOUNTING
34	GROMMET Cat #: 43H81 Model/Part #: 43H8101	3	GROMMET
35	HOUSING-BLOWER Cat #: 40H44 Model/Part #: LB-82421CB	1	BLOWER HOUSING S.A.
36	MOTOR-BLOWER Cat #: 52J32 Model/Part #: 52J3201	1	"(ICM2)- 1HP,1050RPM,120- 240/60/1, INCL
38	WHEEL-BLOWER Cat #: 21793 Model/Part #: LB-29333BBA	1	"1/2"BORE,12" X 9"
39	BAND-MOTOR Cat #: 62A57 Model/Part #: 62A5701	1	MOTOR

CABINET PARTS

Callout	Name	Quantity	Description
	SPACER-FILTER Cat #: 52H64 Model/Part #: LB-82097C	2	FILTER SPACER
	GUIDE-FILTER Cat #: 52H65 Model/Part #: LB-82098C	2	FILTER GUIDE

Callout	Name	Quantity	Description
1	CAP-CABINET Cat #: 66H41 Model/Part #: LB-58492CC	1	CAB. CAP SA - INSUL
2	PANEL Cat #: 55H78 Model/Part #: LB-79026CB	1	PLUMBING-LOWER
3	PANEL Cat #: 66H42 Model/Part #: LB-58493CE	1	BLOWER
4	PANEL Cat #: 55H77 Model/Part #: LB-79025CB	1	PLUMBING-UPPER
5	WRAPPER Cat #: 62H78 Model/Part #: LB-58486CC	1	RIGHT
6	WRAPPER Cat #: 66H43 Model/Part #: LB-58490CC	1	LEFT
7	PANEL Cat #: 55H66 Model/Part #: LB-58491CC	1	REAR
8	PANEL Cat #: 55H42 Model/Part #: LB-58495CC	1	SECURING
9	SHIELD-DRIP Cat #: 66H44 Model/Part #: LB-62848C	2	DRIP SHIELD
11	SUPPORT-COIL Cat #: 66H45 Model/Part #: LB-58723D	4	COIL SUPPORT BRK'T

COOLING PARTS

Callout	Name	Quantity	Description
	BREAKER-CIRCUIT Cat #: 47A89 Model/Part #: 47A8901	1	CIRCUIT BREAKER
	CAP-SEAL Cat #: 86G97 Model/Part #: 86G9701	1	CAP-PLASTIC SEAL
10	COIL-INDOOR Cat #: 29H70 Model/Part #: LB-81688CT	1	W/MANIFOLD
12	PAN-DRAIN Cat #: 85G03 Model/Part #: LB-58245C	1	DRAIN PAN
15	DISTRIBUTOR ASSY	1	DIST ASSY

Callout	Name	Quantity	Description
	Cat #: 10H77 Model/Part #: LB-61742CD		
17	ADAPTER Cat #: 71G09 Model/Part #: 71G0901	1	ADAPTOR
20	SEAL-COIL Cat #: 66H46 Model/Part #: LB-82293C	1	REAR
23	RETAINER-PAN Cat #: 61H93 Model/Part #: LB-62852C	1	RETAINER PAN
24	SEAL-COIL Cat #: LB-83476 Model/Part #: LB-83476	1	FRONT-RIGHT
25	SEAL-COIL Cat #: LB-83477 Model/Part #: LB-83477	1	FRONT-LEFT
40	HOLDER-FUSE Cat #: 12F01 Model/Part #: 12F0101	1	HOLDER-FUSE
41	FUSE Cat #: 34C21 Model/Part #: 34C2101	1	"GMQ3 TYPE,3.2AMP,300V"
A15	CONTROL Cat #: 54J65 Model/Part #: LB-65872A	1	BLOWER(BDC2)
K20	RELAY Cat #: 31K35 Model/Part #: 31K3501	1	"ID BLR,SPDT,240V"
T1	TRANSFORMER Cat #: 65G48 Model/Part #: 65G4801	1	"240V PRI,24V SEC,70VA,L/FUSE"
TB1	BLOCK-TERMINAL Cat #: 71G38 Model/Part #: 71G3801	1	TERMINAL BLOCK
TB2	BOARD-TERMINAL Cat #: 78H62 Model/Part #: 78H6201	1	TERMINAL BOARD

Note:

Note1: ICM2 ELECTRONIC MODULE IS AVAILABLE AS A SEPERATE REPAIR PART, LB-90745B.

Note2: ORDER 52J32 & 57J99. ALSO ORDER 56J62 JUMPER BOARD KIT.