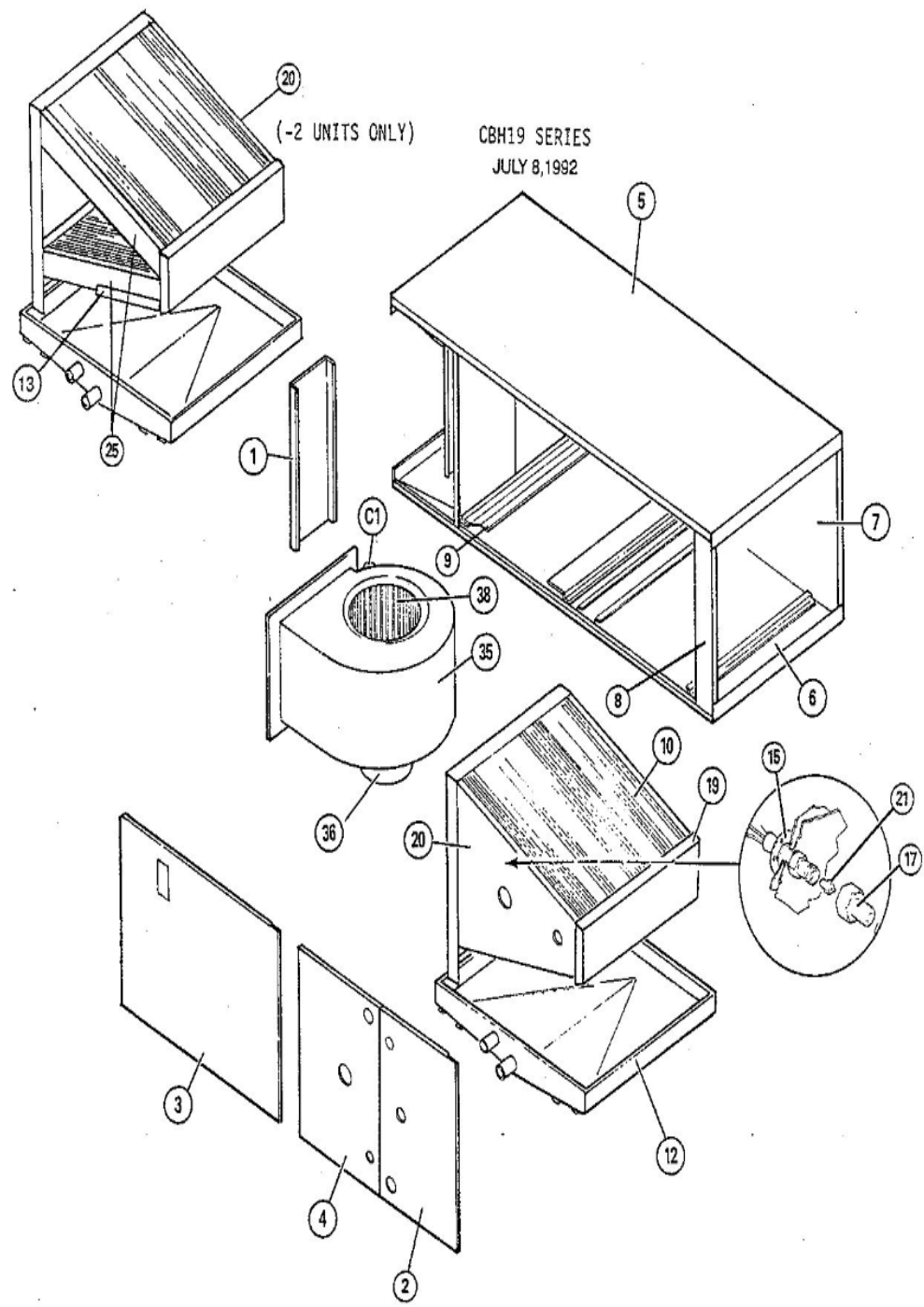




# CB19/CBH19/B19 CONTROL PANEL PARTS

MARCH 15, 1990





Revision Number - 3

## BLOWER PARTS

Callout	Name	Quantity	Description
	MOUNT-MTR Cat #: 11G74 Model/Part #: LB-53536C	3	MOTOR FRAME SECT SA
	PLATE-CUTOFF Cat #: 42H89 Model/Part #: LB-59042D	1	CUTOFF PLATE
35	HOUSING-BLOWER Cat #: 38H05 Model/Part #: LB-78749CE	1	BLOWER HOUSING
36	MOTOR-BLOWER Cat #: 81G50 Model/Part #: 81G5001	1	"1/3HP,825RPM,208- 230/60/1"
38	WHEEL-BLOWER Cat #: 10H00 Model/Part #: LB-29333BBW	1	"1/2"BORE,11" X 8"
C1	CAPACITOR Cat #: 53H13 Model/Part #: 39H6401	1	"20MFD,370V"

## CABINET PARTS

Callout	Name	Quantity	Description
	SPACER-FILTER Cat #: 52H64 Model/Part #: LB-82097C	2	FILTER SPACER
	GUIDE-FILTER Cat #: 52H65 Model/Part #: LB-82098C	2	FILTER GUIDE
1	CAP-CABINET Cat #: 40K81 Model/Part #: LB-58716C	1	CAB. CAP.
2	PANEL Cat #: 38K45 Model/Part #: LB-79026CE	1	PLUMBING
3	PANEL Cat #: 32K69 Model/Part #: LB-58493CR	1	BLOWER
4	PANEL Cat #: 48K27 Model/Part #: LB-79025CF	1	PLUMBING
5	WRAPPER Cat #: 62H78 Model/Part #: LB-58486CC	1	RIGHT SIDE

<b>Callout</b>	<b>Name</b>	<b>Quantity</b>	<b>Description</b>
6	WRAPPER Cat #: 66H43 Model/Part #: LB-58490CC	1	LEFT SIDE
7	PANEL Cat #: 55H66 Model/Part #: LB-58491CC	1	REAR
8	PANEL Cat #: 30K90 Model/Part #: LB-58495CK	1	SECURING
9	SHIELD-DRIP Cat #: 66H44 Model/Part #: LB-62848C	2	DRIP SHIELD

## COOLING PARTS

<b>Callout</b>	<b>Name</b>	<b>Quantity</b>	<b>Description</b>
	VALVE-EXPANSION Cat #: 56J20 Model/Part #: 37J6801	1	(TXV UNITS)
	FUSE Cat #: 71G35 Model/Part #: 71G3501	1	"N3 TYPE,3.5AMP,125V"
	SEAL-COIL Cat #: LB-74152 Model/Part #: LB-74152	2	TOP(TXV UNITS)
	SEAL-COIL Cat #: 71K39 Model/Part #: LB-74153	1	BOTT(TXV UNITS)
	SUPPORT-COIL Cat #: LB-87378 Model/Part #: LB-87378	4	(TXV UNITS)
	CAP-SEAL Cat #: 58114 Model/Part #: P-8-3187	1	(TXV UNITS)
10	COIL-INDOOR Cat #: 96J34 Model/Part #: LB-87363D	1	W/MANIFOLD
12	PAN-DRAIN Cat #: 85G03 Model/Part #: LB-58245C	1	W/MANIFOLD
15	DISTRIBUTOR ASSY Cat #: 96J29 Model/Part #: LB-61742CG	1	DISTRIBUTOR SA -IN CARTON
20	SEAL-COIL	1	FRONT(TXV UNITS)

Callout	Name	Quantity	Description
	Cat #: 51K91 Model/Part #: LB-74150		
20	SEAL-COIL Cat #: 51K92 Model/Part #: LB-74151	1	REAR(TXV UNITS)
23	RETAINER-PAN Cat #: 56K88 Model/Part #: LB-87359	1	(TXV UNITS)
K1	RELAY Cat #: 66C67 Model/Part #: P-8-10283	2	"ID BLOWER,DPDT,24V,(460V)"
K2	RELAY Cat #: 66C67 Model/Part #: P-8-10283	2	"ID BLOWER,DPDT,24V,(460V)"
T1	TRANSFORMER Cat #: 65G49 Model/Part #: 65G4901	1	"208/230V PRI,24V SEC,70VA W/FUSE"
T1	TRANSFORMER Cat #: 65G50 Model/Part #: 65G5001	1	"480V PRI,24V SEC,70VA,W/FUSE"
TB1	BOARD-TERMINAL Cat #: 78H59 Model/Part #: 78H5901	1	TERMINAL BOARD
TB2	BLOCK-TERMINAL Cat #: 71G38 Model/Part #: 71G3801	1	LOCATED CAP CABINET

**Note:**

Note1: WHEN REPLACING COIL, IT WILL BE NECESSARY TO REMOVE RESTRICTOR (KEY #21) FROM OLD COIL FOR USE IN THE NEW COIL, AS THIS PART IS NOT INCLUDED IN REPAIR COIL PACKAGE.