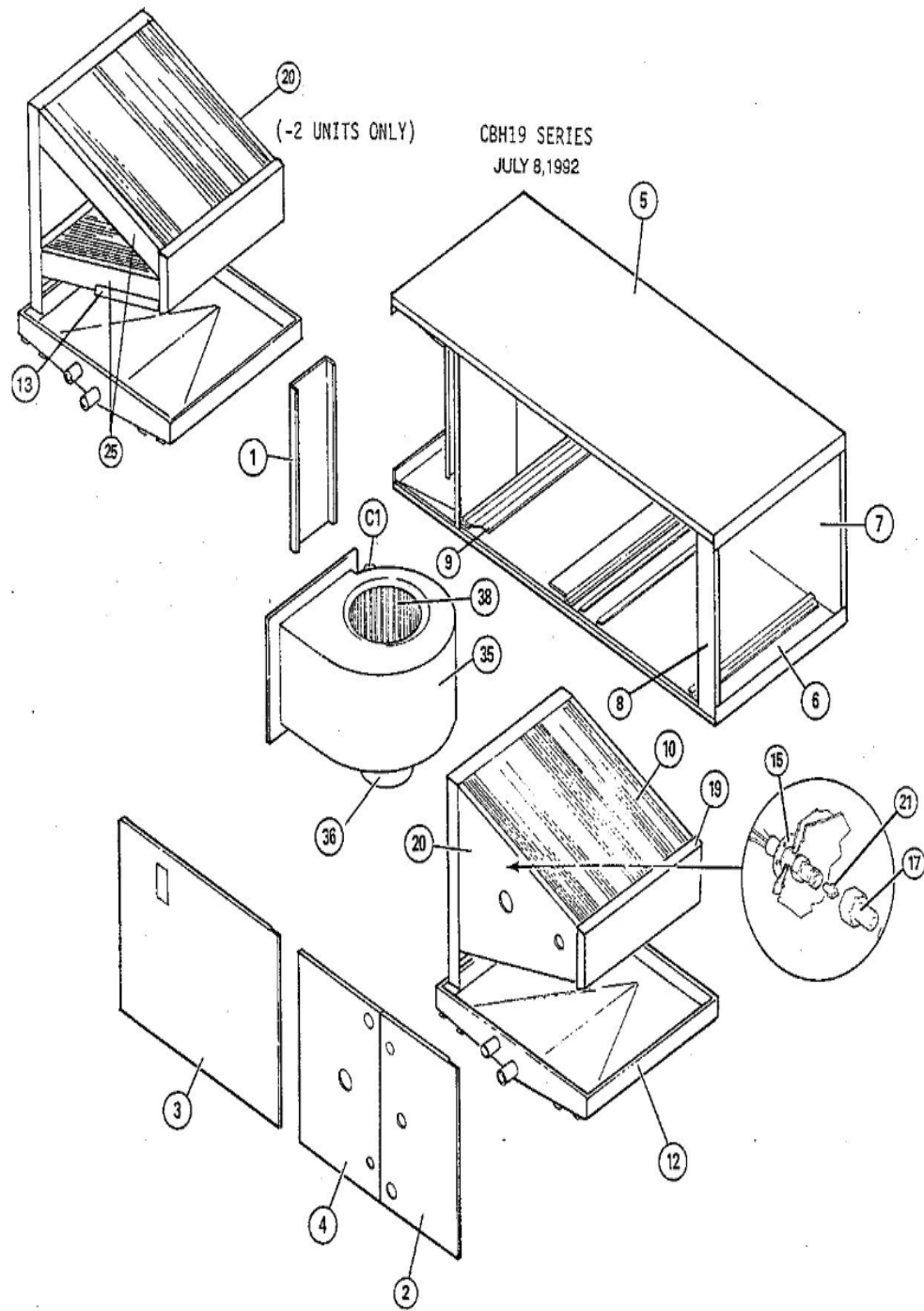


CB19/CBH19/B19 CONTROL PANEL PARTS

MARCH 15, 1990





Revision Number - 2

*OPTIONAL PARTS-FIELD INSTALLED

Callout	Name	Quantity	Description
	Cat #: Model/Part #:	1	

BLOWER PARTS

Callout	Name	Quantity	Description
	MOUNT-MTR Cat #: 11G74 Model/Part #: LB-53536C	3	MOTOR FRAME SECT SA
	PLATE-CUTOFF Cat #: 42H89 Model/Part #: LB-59042D	1	CUTOFF PLATE
35	HOUSING-BLOWER Cat #: 38H05 Model/Part #: LB-78749CE	1	BLOWER HOUSING
36	MOTOR-BLOWER Cat #: 81G50 Model/Part #: 81G5001	1	"1/3HP,825RPM,208-230/60/1"
36	MOTOR-BLOWER Cat #: 86G43 Model/Part #: 86G4301	1	"1/3HP,825RPM,460/60/1"
38	WHEEL-BLOWER Cat #: 10H00 Model/Part #: LB-29333BBW	1	"1/2""BORE,11"" X 8""
C1	CAPACITOR Cat #: 53H13 Model/Part #: 39H6401	1	"20MFD,370V"

CABINET PARTS

Callout	Name	Quantity	Description
	SPACER-FILTER Cat #: 52H64 Model/Part #: LB-82097C	2	FILTER SPACER
	GUIDE-FILTER Cat #: 52H65 Model/Part #: LB-82098C	2	FILTER GUIDE
1	CAP-CABINET	1	CAB. CAP SA -

Callout	Name	Quantity	Description
	Cat #: 66H41 Model/Part #: LB-58492CC		INSUL
2	PANEL Cat #: 55H78 Model/Part #: LB-79026CB	1	PLUMBING
3	PANEL Cat #: 66H42 Model/Part #: LB-58493CE	1	BLOWER
4	PANEL Cat #: 55H77 Model/Part #: LB-79025CB	1	PLUMBING
5	WRAPPER Cat #: 62H78 Model/Part #: LB-58486CC	1	RIGHT SIDE
6	WRAPPER Cat #: 66H43 Model/Part #: LB-58490CC	1	LEFT SIDE
7	PANEL Cat #: 55H66 Model/Part #: LB-58491CC	1	REAR
8	PANEL Cat #: 55H42 Model/Part #: LB-58495CC	1	SECURING
9	SHIELD-DRIP Cat #: 66H44 Model/Part #: LB-62848C	2	DRIP SHIELD

COOLING PARTS

Callout	Name	Quantity	Description
	VALVE-EXPANSION Cat #: 25G82 Model/Part #: 25G8201	1	(TXV-4 TON UNITS)
	VALVE-EXPANSION Cat #: 36G98 Model/Part #: 36G9801	1	(TXV-3 TON UNITS)
	FUSE Cat #: 71G35 Model/Part #: 71G3501	1	"N3 TYPE,3.5AMP,125V"
	CAP-SEAL Cat #: 86G97 Model/Part #: 86G9701	1	CAP-PLASTIC SEAL
	UNION Cat #: 87A66 Model/Part #: LB-33998DA	1	(TXV-4 TON UNITS)
	SEAL-COIL	2	TOP

Callout	Name	Quantity	Description
	Cat #: 66H48 Model/Part #: LB-58722C		
	SUPPORT-COIL Cat #: 66H45 Model/Part #: LB-58723D	4	COIL SUPPORT BRK'T
	HOSE-DRAIN Cat #: 17H55 Model/Part #: LB-59267D	1	HOSE-DRAIN
	SEAL-COIL Cat #: 51J84 Model/Part #: LB-62847C	1	BOTT(TXV UNITS)
	ADAPTER Cat #: 15J51 Model/Part #: LB-82210DA	1	LIQUID LINE ASSY
10	COIL-INDOOR Cat #: 29H75 Model/Part #: LB-81688CAB	1	W/MANIFOLD (FOOTNOTE 1)
12	PAN-DRAIN Cat #: 85G03 Model/Part #: LB-58245C	1	W/MANIFOLD
15	DISTRIBUTOR ASSY Cat #: 10H76 Model/Part #: LB-61742CC	1	DIST ASSY
17	ADAPTER Cat #: 18J59 Model/Part #: 18J5901	1	(TXV UNITS)
17	ADAPTER Cat #: 71G09 Model/Part #: 71G0901	1	ADAPTOR
20	SEAL-COIL Cat #: 54J18 Model/Part #: LB-78924C	1	FRONT(CB-TXV UNITS)
20	SEAL-COIL Cat #: 66H46 Model/Part #: LB-82293C	1	REAR
21	RESTRICTOR Cat #: 71G04 Model/Part #: 71G0401	1	RESTRICTOR
21	RESTRICTOR Cat #: 81G46 Model/Part #: 81G4601	1	(USED WITH HP24)
23	RETAINER-PAN Cat #: 61H93 Model/Part #: LB-62852C	1	RETAINER PAN
25	SEAL-COIL Cat #: LB-82251C Model/Part #: LB-82251C	2	FRONT

Callout	Name	Quantity	Description
K1	RELAY Cat #: 66C67 Model/Part #: P-8-10283	2	"ID BLOWER,DPDT,24V,(460V)"
K2	RELAY Cat #: 66C67 Model/Part #: P-8-10283	2	"ID BLOWER,DPDT,24V,(460V)"
T1	TRANSFORMER Cat #: 65G49 Model/Part #: 65G4901	1	"208/230V PRI,24V SEC,70VA W/FUSE"
T1	TRANSFORMER Cat #: 65G50 Model/Part #: 65G5001	1	"480V PRI,24V SEC,70VA,W/FUSE"
TB1	BOARD-TERMINAL Cat #: 78H59 Model/Part #: 78H5901	1	TERMINAL BOARD
TB2	BLOCK-TERMINAL Cat #: 71G38 Model/Part #: 71G3801	1	LOCATED CAP CABINET

Note:

Note1: WHEN REPLACING COIL, IT WILL BE NECESSARY TO REMOVE RESTRICTOR (KEY #21) FROM OLD COIL FOR USE IN THE NEW COIL, AS THIS PART IS NOT INCLUDED IN REPAIR COIL PACKAGE.