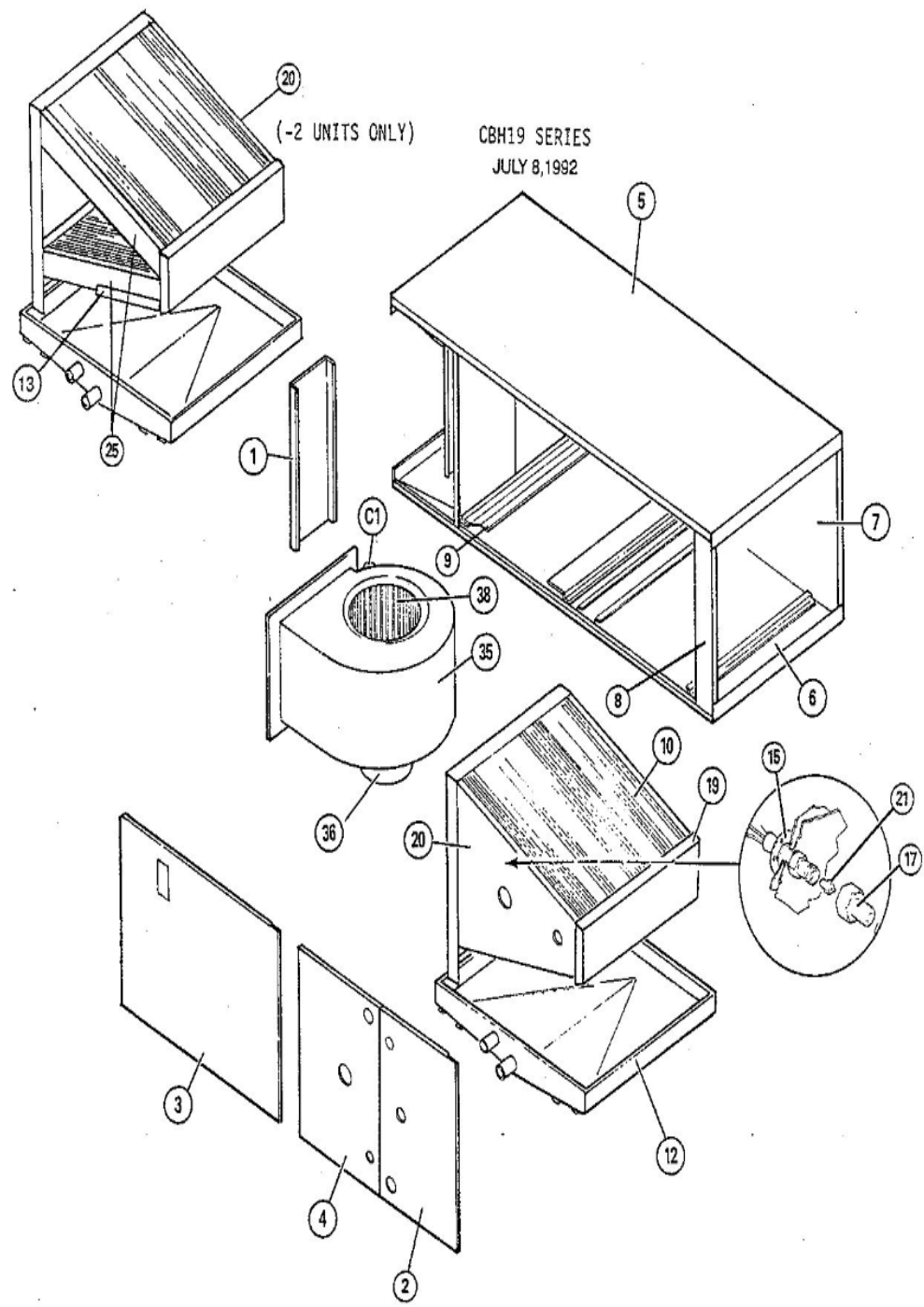




CB19/CBH19/B19 CONTROL PANEL PARTS

MARCH 15, 1990





Callout	Name	Quantity	Description
	Cat #: 50240 Model/Part #: LB-43763BA		
12	PANEL Cat #: 40A32 Model/Part #: LB-43767CA	1	I.D. COIL SECTION
15	PANEL Cat #: 50431 Model/Part #: LB-43461CB	1	COMP SECTION
16	PANEL Cat #: 50286 Model/Part #: LB-43770CA	1	I.D. BLOWER SECTION
17	COVER Cat #: 55C91 Model/Part #: LB-43774D	1	MAKEUP BOX

CONTROL PANEL PARTS

Callout	Name	Quantity	Description
	HOLDER-FUSE Cat #: 96C76 Model/Part #: 96C7601	1	(INTL ONLY-LATE PROD)
	CARRIER-FUSE Cat #: 96C77 Model/Part #: 96C7701	1	(INTL ONLY-LATE PROD)
	FUSE Cat #: 99C09 Model/Part #: 99C0901	1	"GMATYPE,3.5AMP,250V(INTLONLY-LATE PROD)
	BRACKET Cat #: LB-33682D Model/Part #: LB-33682D	1	SWITCH MTG (USE W/75A7901 TRANSFORMER)
	BRACKET Cat #: LB-43775D Model/Part #: LB-43775D	1	CIRCUIT BRKR (1PH ONLY)
	BRACKET Cat #: LB-6306 Model/Part #: LB-6306	1	START CAP (1PH ONLY)
	ANGLE Cat #: 87174 Model/Part #: P-8-10411	2	CIRCUIT BRKR (1PH ONLY)
	FUSE	1	"TRANSF-2.5AMP,TYPE C,250V"

Callout	Name	Quantity	Description
	Cat #: 66247 Model/Part #: P-8-1674		
	BUSHING-SNAP Cat #: 86795 Model/Part #: P-8-8278	3	"7/10""I.D. FOR 7/8""OPENING"
35	CONTACTOR Cat #: 68652 Model/Part #: P-8-7711	1	"DPDT,24V,(280-230/60/3)"
35	CONTACTOR Cat #: 38393 Model/Part #: P-8-7736	1	"3PDT,24V,(380-420/3- INTL ONLY)"
36	TRANSFORMER Cat #: 13H28 Model/Part #: 75A7901	1	"208/230VPRI,24VSEC,50VA, W/FUSE(208-230
36	TRANSFORMER Cat #: 99C10 Model/Part #: 99C1001	1	"240VPRI,24VSEC,60VA,L/FUSE (LATE PRODUC
36	TRANSFORMER Cat #: 66571 Model/Part #: P-8-649	1	"230VPRI,24VSEC,50VA,W/FUSE (380/420/3 E
37	RELAY Cat #: 38246 Model/Part #: P-8-7355	1	"I.D. BLOWER-SPDT,24V"
40	RELAY Cat #: 37556 Model/Part #: P-8-7354	1	"FAN MOTOR SPST,24V,(208-230/60/1,380-4
41	SWITCH Cat #: 79A77 Model/Part #: 79A7701	1	"VOLT SEL 208/230V,SPDT(USE W/75A7901 TR
43	SWITCH Cat #: 38757 Model/Part #: P-8-10395	1	"2POLE,30AMP,(1PH ONLY)"
71	CAPACITOR-START Cat #: 66083 Model/Part #: P-8-1101	1	"135-155MFD,320VAC(1PH ONLY)"
72	RELAY-POTENTIAL	1	"SPNC,420V (1PH ONLY)"

Callout	Name	Quantity	Description
	Cat #: 66463 Model/Part #: P-8-1617		

COOLING PARTS

Callout	Name	Quantity	Description
	MOUNT PKG-COMP Cat #: 27G99 Model/Part #: 79A7901PR	1	(INTL ONLY)
	CAP-SEAL Cat #: 66817 Model/Part #: P-8-1401	3	FITTING-PRESSURE TAP
	VALVE CORE Cat #: 66820 Model/Part #: P-8-1897	2	VALVE, CORE 8075910047
	CAP-SEAL Cat #: 58114 Model/Part #: P-8-3187	2	CAP, BRASS
	BUSHING-SNAP Cat #: 86795 Model/Part #: P-8-8278	4	"MAKEUP BOX(7/10""I.D.FOR 7/8""OPENING)"
	BLOCK-TERMINAL Cat #: P-8-886 Model/Part #: P-8-886	1	MAKEUP BOX(380-420/3) (INTL ONLY)
	BLOCK-TERMINAL Cat #: 38713 Model/Part #: P-8-9729	1	MAKEUP BOX(INTL ONLY)
	MOUNT PKG-COMP Cat #: 36A69 Model/Part #: PR-365	1	MOUNT PKG-COMP
18	COMPRESSOR Cat #: 29M24 Model/Part #: 48A5701	1	"4TON,380-420/50/3,TEC (INTL ONLY)"
18	COMPRESSOR Cat #: 25J57 Model/Part #: P-8-10538	1	"5TON,208-230/60/1,TEC"
18	COMPRESSOR	1	"5TON,200-240/50/3,TEC"

Callout	Name	Quantity	Description
	Cat #: 21J64 Model/Part #: P-8-10539		(INTL ONLY)"
18	COMPRESSOR Cat #: 29M24 Model/Part #: P-8-10599	1	"5TON,440-480/60/3,TEC"
18	COMPRESSOR Cat #: P-8-11291 Model/Part #: P-8-11291	1	"5TON,575/60/3,TEC"
21	COIL-OUTDOOR Cat #: 69144 Model/Part #: 8-6-8201C	1	L/MANIFOLD
22	COIL-INDOOR Cat #: 84A60 Model/Part #: LB-26591BA	1	W/MANIFOLD
23	CAP TUBE ASSY Cat #: 35A24 Model/Part #: LB-21974BF	1	"STRAINER,TUBES,&ADAPTORS"
24	CAPACITOR Cat #: 53H02 Model/Part #: P-8-1379	2	"5MFD,370VAC"
27	CAPACITOR-RUN Cat #: 87A7601PR Model/Part #: 87A7601PR	1	(1PH ONLY)
28	MOTOR-FAN Cat #: 70C16 Model/Part #: P-8-10613	2	"1/4HP,1075RPM,230/60/1"
29	ARM-MOTOR MTG Cat #: 87088 Model/Part #: P-8-10465	6	O.D. FAN MOTOR
30	BAND-MOTOR Cat #: LB-75126D Model/Part #: LB-75126D	1	FORM MOTOR BAND *
31	FAN Cat #: 87090 Model/Part #: P-8-10470	2	"1/2""BORE,18""DIA,5 BLADES"
61	SWITCH-LO PRESS	1	"CUTIN 30PSIG,CUTOUT

Callout	Name	Quantity	Description
	Cat #: 38509 Model/Part #: P-8-9152		10PSIG"
64	DISTRIBUTOR Cat #: 40A78 Model/Part #: P-8-10467	1	L/TUBES
70	TRANSFORMER Cat #: 42A29 Model/Part #: 42A2901	1	"240/480VPRI,120/240VSEC, 2000VA,NO FUSE
70	TRANSFORMER Cat #: 42A3101 Model/Part #: 42A3101	1	"240/480PRI,120/240SEC, 2000VA,NO FUSE(5
76	TRANSFORMER Cat #: 42A30 Model/Part #: 42A3001	1	"240/480PRI,120/240SEC, 1500VA,NO FUSE(4
76	TRANSFORMER Cat #: 42A3201 Model/Part #: 42A3201	1	"600VPRI,120/240SEC,1500VA, NO FUSE(575/

Note:

There are no technical notes for this product.