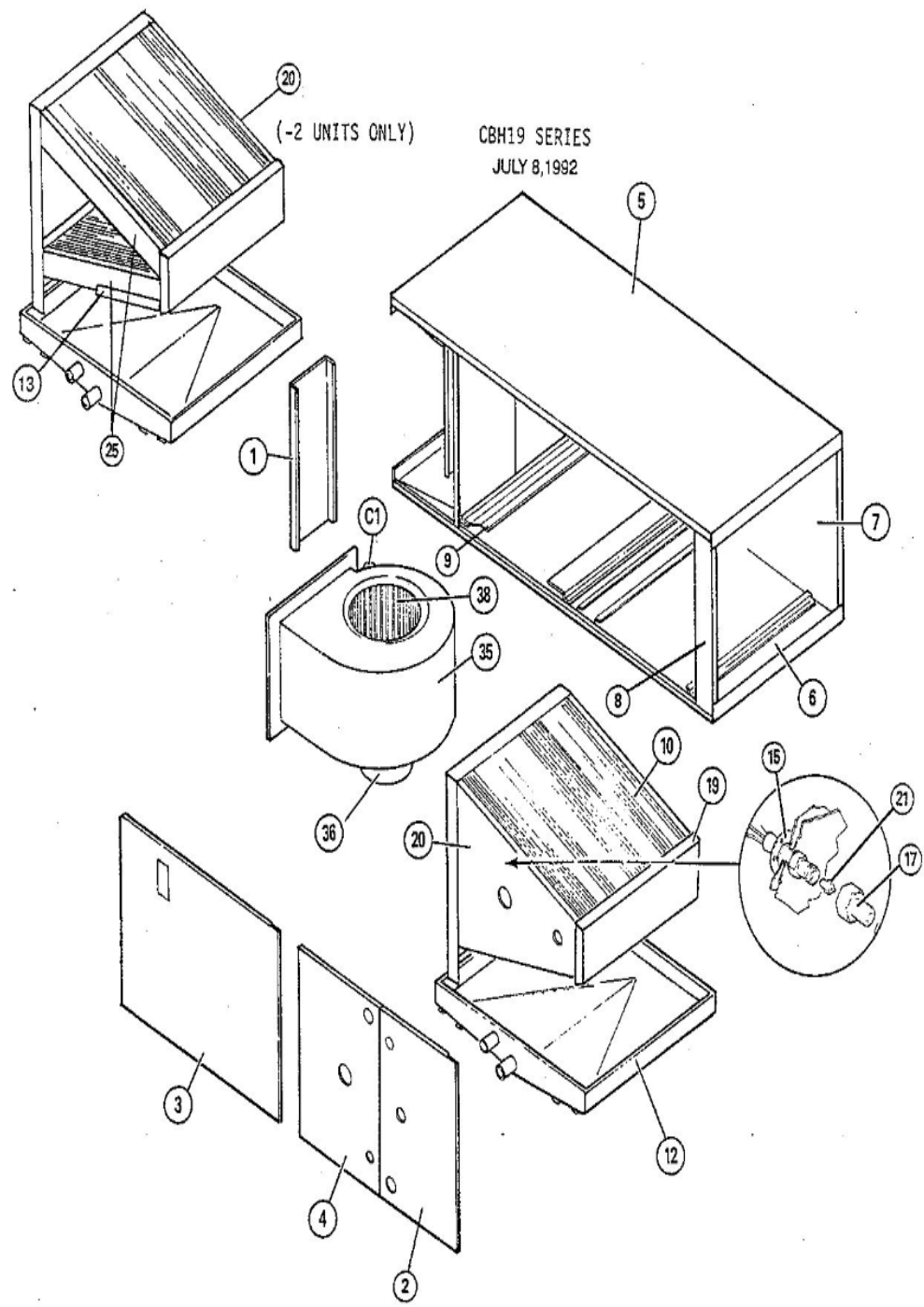




CB19/CBH19/B19 CONTROL PANEL PARTS

MARCH 15, 1990





Revision Number - 1

BLOWER PARTS

Callout	Name	Quantity	Description
	PLATE-CUTOFF Cat #: 75G21 Model/Part #: LB-43838D	1	CUTOFF PLATE 10 X 9
35	HOUSING-BLOWER Cat #: 38H04 Model/Part #: LB-78749CD	1	BLOWER HOUSING
36	MOTOR-BLOWER Cat #: 65G59 Model/Part #: 65G5901	1	"1/3HP,825RPM,208-230/60/1"
38	WHEEL-BLOWER Cat #: 21706 Model/Part #: P-5-217	1	"1/2""BORE,10-5/8"" X 9-1/2""
C1	CAPACITOR Cat #: 53H06 Model/Part #: 39H6301	1	"15MFD,370V"

CABINET PARTS

Callout	Name	Quantity	Description
	GUIDE FILTER Cat #: 37K37 Model/Part #: LB-74144	2	(TXV UNITS)
	SPACER-FILTER Cat #: 66H32 Model/Part #: LB-82093D	1	(CB & CBH UNITS)
	GUIDE-FILTER Cat #: 66H31 Model/Part #: LB-82095C	2	(CB & CBH UNITS)
1	CAP-CABINET Cat #: 28H62 Model/Part #: LB-58492CB	1	(CB UNITS)
1	CAP-CABINET Cat #: 85H68 Model/Part #: LB-58492CG	1	(CBH UNITS)
1	CAP-CABINET Cat #: LB-74199 Model/Part #: LB-74199	1	(TXV UNITS)
2	PANEL Cat #: 36K82 Model/Part #: LB-79027CD	1	PLUMBING(CBH-TXV UNITS)
3	PANEL Cat #: 20H66 Model/Part #: LB-58493CB	1	BLOWER

Callout	Name	Quantity	Description
3	PANEL Cat #: 66H29 Model/Part #: LB-58493CG	1	BLOWER(CB UNITS)
3	PANEL Cat #: 85H70 Model/Part #: LB-58493CJ	1	BLOWER(CBH UNITS)
3	PANEL Cat #: 40K78 Model/Part #: LB-58493CP	1	BLOWER(TXV UNITS)
4	PANEL Cat #: 32H93 Model/Part #: LB-58494CB	1	PLUMBING
4	PANEL Cat #: LB-79024CC Model/Part #: LB-79024CC	1	PLUMBING(CBH- TXV UNITS)
5	WRAPPER Cat #: 85H62 Model/Part #: LB-58486CG	1	TOP(CB & CBH UNITS)
6	WRAPPER Cat #: 85H64 Model/Part #: LB-58490CG	1	BOTT(CB & CBH UNITS)
7	PANEL Cat #: 85H66 Model/Part #: LB-58491CG	1	REAR(CB & CBH UNITS)
8	PANEL Cat #: 24H45 Model/Part #: LB-58495CB	1	SECURING(CB UNITS)
8	PANEL Cat #: 85H72 Model/Part #: LB-58495CG	1	SECURING(CBH UNITS)
8	PANEL Cat #: 30K89 Model/Part #: LB-58495CJ	1	SECURING(TXV UNITS)
9	SHIELD-DRIP Cat #: 75H99 Model/Part #: LB-59315C	2	DRIP SHIELD

COOLING PARTS

Callout	Name	Quantity	Description
	VALVE-EXPANSION Cat #: 37J69 Model/Part #: 37J6901	1	(TXV UNITS)
	FUSE Cat #: 71G35 Model/Part #: 71G3501	1	"N3 TYPE,3.5AMP,125V"
	SUPPORT-COIL	2	(CB UNITS)

Callout	Name	Quantity	Description
	Cat #: 66H34 Model/Part #: LB-58446D		
	HOSE-DRAIN Cat #: 17H55 Model/Part #: LB-59267D	1	HOSE-DRAIN
	ADAPTER Cat #: 17H56 Model/Part #: LB-61604D	1	EXPANSION VALVE
	SUPPORT-COIL Cat #: LB-74158 Model/Part #: LB-74158	2	(CBH-TXV UNITS)
	SUPPORT-COIL Cat #: LB-74161 Model/Part #: LB-74161	2	(CBH-TXV UNITS)
	CAP-SEAL Cat #: 58114 Model/Part #: P-8-3187	1	CAP, BRASS
10	COIL-INDOOR Cat #: 14H40 Model/Part #: LB-81688CD	1	W/MANIFOLD(CB UNITS- FOOTNOTE 1)
10	COIL-INDOOR Cat #: 14H46 Model/Part #: LB-81688CK	1	W/MANIFOLD(CBH UNITS- FOOTNOTE 1)
10	COIL-INDOOR Cat #: 96J38 Model/Part #: LB-87363H	1	W/MANIFOLD(CBH- TXV UNITS)
12	PAN-DRAIN Cat #: 53H34 Model/Part #: LB-58619CB	1	(CBH UNITS)
12	PAN-DRAIN Cat #: 96G11 Model/Part #: LB-59038C	1	(CB UNITS)
12	PAN DRAIN Cat #: 35K28 Model/Part #: LB-87299B	1	(CBH-TXV UNITS)
13	SHIELD-DRIP Cat #: 17J77 Model/Part #: LB-64997	1	FRONT(CBH UNITS)
13	SHIELD-DRIP Cat #: 17J78 Model/Part #: LB-64998	1	REAR(CBH UNITS)
15	DISTRIBUTOR ASSY Cat #: 69J27 Model/Part #: 69J2701	1	(TXV UNITS)
15	DISTRIBUTOR ASSY Cat #: 10H75 Model/Part #: LB-61742CB	1	DIST ASSY

Callout	Name	Quantity	Description
17	ADAPTER Cat #: 71G09 Model/Part #: 71G0901	1	ADAPTOR
19	PAN-DRIP Cat #: 53H35 Model/Part #: LB-58630C	1	HORIZONTAL
19	PAN-DRIP Cat #: LB-74201 Model/Part #: LB-74201	1	(CBH-TXV UNITS)
20	SEAL-COIL Cat #: 30H09 Model/Part #: LB-58444C	2	FRONT & REAR
20	SEAL-COIL Cat #: LB-74140 Model/Part #: LB-74140	1	FRONT(TXV-UNITS)
20	SEAL-COIL Cat #: LB-74141 Model/Part #: LB-74141	1	REAR(TXV UNITS)
21	RESTRICTOR Cat #: 71G02 Model/Part #: 71G0201	1	RESTRICTOR
23	PAN-DRIP Cat #: 60H75 Model/Part #: LB-58448C	1	(CB UNITS)
25	SEAL-COIL Cat #: 30H10 Model/Part #: LB-58445C	2	TOP(CB UNITS)
40	HOLDER-FUSE Cat #: 12F01 Model/Part #: 12F0101	1	HOLDER-FUSE
41	FUSE Cat #: 34C21 Model/Part #: 34C2101	1	"GMQ3 TYPE,3.2AMP,300V"
K3	RELAY Cat #: 66C67 Model/Part #: P-8-10283	1	"ID BLOWER,DPDT,24V"
T1	TRANSFORMER Cat #: 65G48 Model/Part #: 65G4801	1	"240V PRI,24V SEC,70VA,L/FUSE"
T1	TRANSFORMER Cat #: 65G49 Model/Part #: 65G4901	1	"208/230V PRI,24V SEC,70VA W/FUSE"
TB1	BLOCK-TERMINAL Cat #: 71G38 Model/Part #: 71G3801	1	"LOCATED,CAP CABINET"
TB2	BOARD-TERMINAL Cat #: 78H59 Model/Part #: 78H5901	1	TERMINAL BOARD

Note:

Note1: WHEN REPLACING COIL, IT WILL BE NECESSARY TO REMOVE RESTRICTOR (KEY #21) FROM OLD COIL FOR USE IN THE NEW COIL, AS THIS PART IS NOT INCLUDED IN REPAIR COIL PACKAGE.