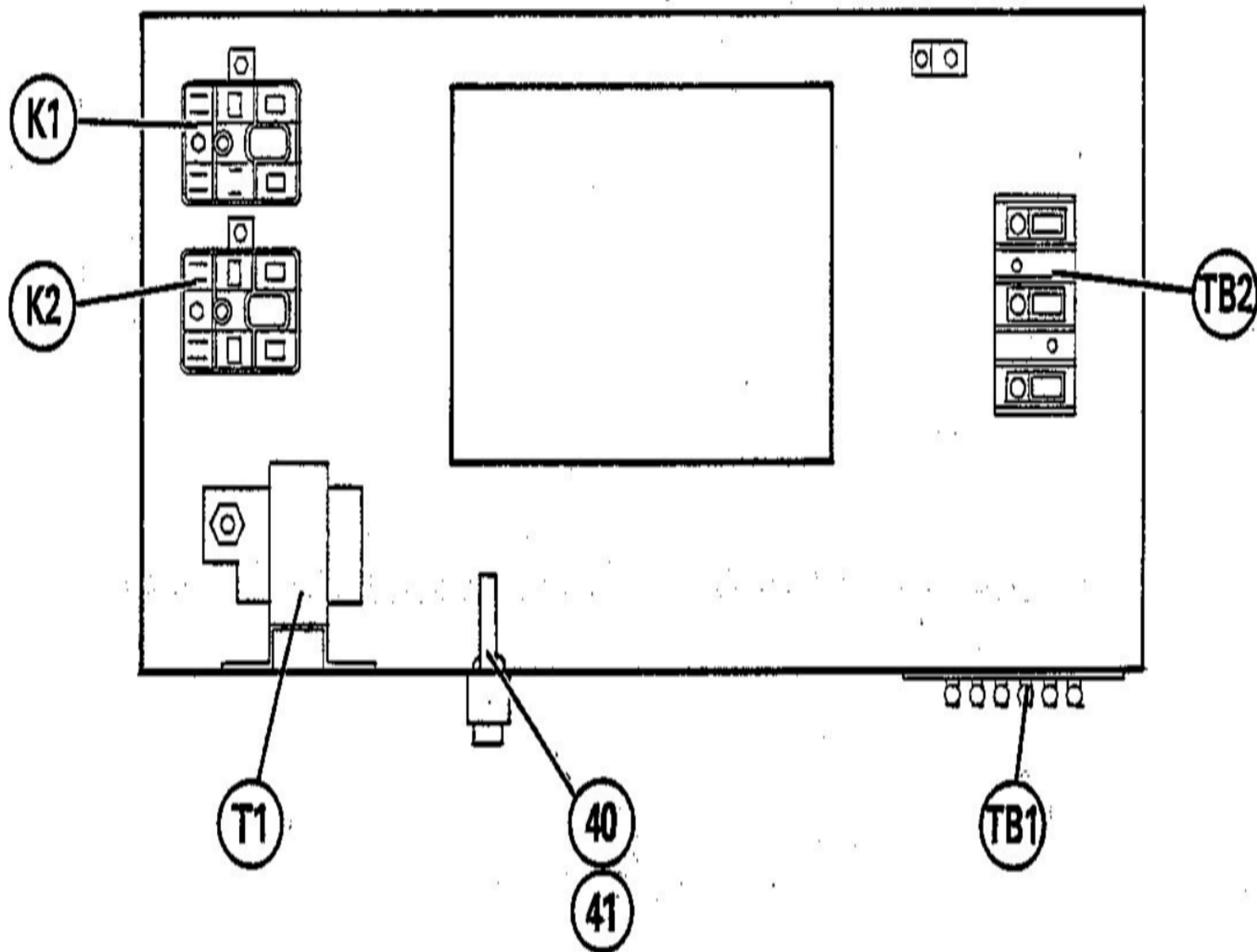
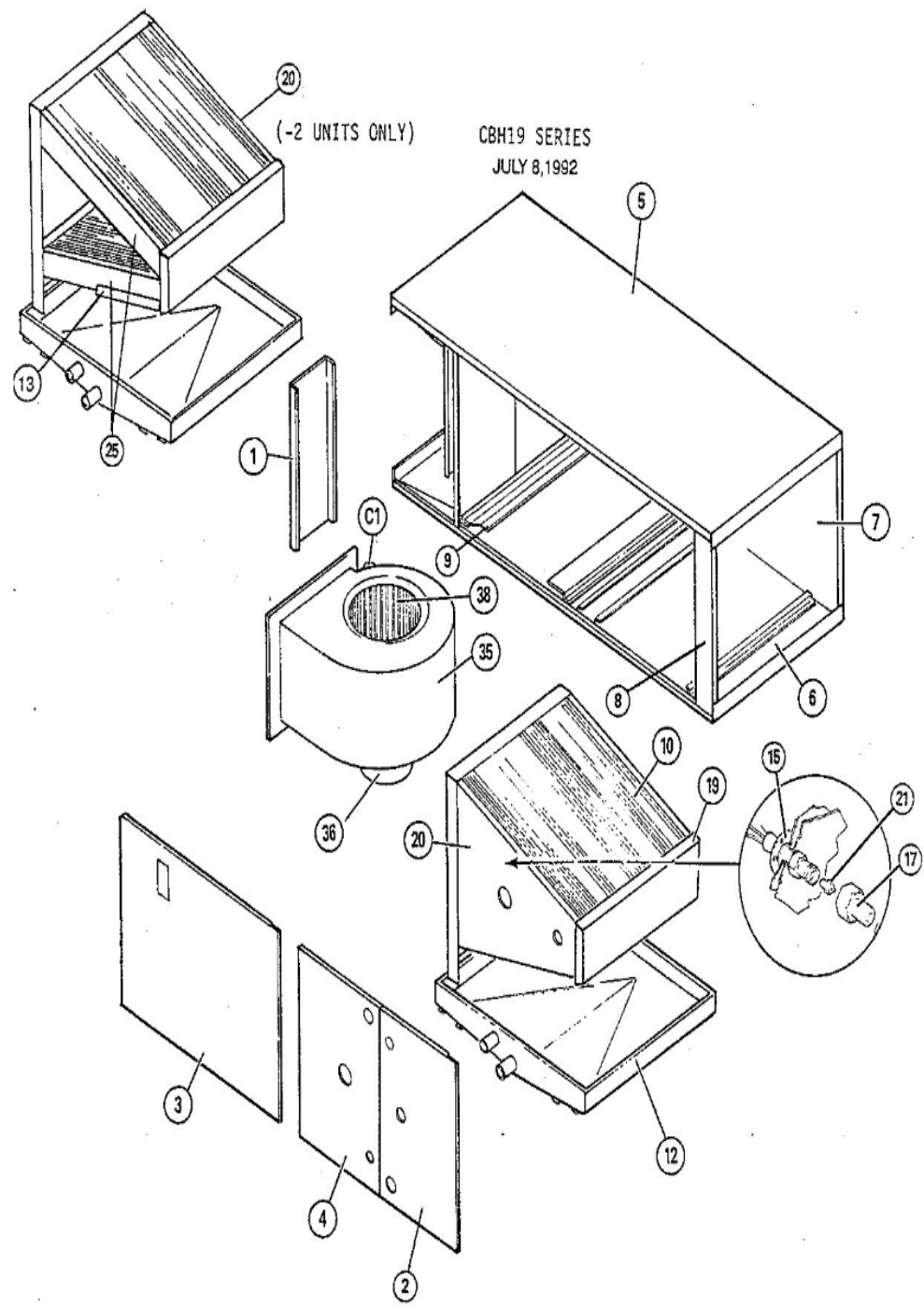




# CB19/CBH19/B19 CONTROL PANEL PARTS

MARCH 15, 1990





Revision Number - 3

## BLOWER PARTS

Callout	Name	Quantity	Description
	PLATE-CUTOFF Cat #: 50198 Model/Part #: LB-10163	1	CUTOFF PLATE 9IN
35	HOUSING-BLOWER Cat #: 38H03 Model/Part #: LB-78749CC	1	BLOWER HOUSING
36	MOTOR-BLOWER Cat #: 65G59 Model/Part #: 65G5901	1	"1/3HP,825RPM,208-230/60/1"
38	WHEEL-BLOWER Cat #: 21709 Model/Part #: P-5-226	1	"1/2""BORE,10-5/8"" X 7-1/8""
C1	CAPACITOR Cat #: 53H06 Model/Part #: 39H6301	1	"15MFD,370V"

## CABINET PARTS

Callout	Name	Quantity	Description
	GUIDE FILTER Cat #: 37K37 Model/Part #: LB-74144	2	(TXV UNITS)
	SPACER-FILTER Cat #: 66H32 Model/Part #: LB-82093D	1	(CB & CBH UNITS)
1	CAP-CABINET Cat #: LB-74199 Model/Part #: LB-74199	1	(TXV UNITS)
2	PANEL Cat #: 37K35 Model/Part #: LB-79026CD	1	PLUMBING(CB-TXV UNITS)
3	PANEL Cat #: 40K78 Model/Part #: LB-58493CP	1	BLOWER(TXV UNITS)
4	PANEL Cat #: 37K36 Model/Part #: LB-79025CE	1	PLUMBING(CB-TXV UNITS)
5	WRAPPER Cat #: 85H62 Model/Part #: LB-58486CG	1	TOP(CB & CBH UNITS)
6	WRAPPER Cat #: 85H64 Model/Part #: LB-58490CG	1	BOTT(CB & CBH UNITS)

Callout	Name	Quantity	Description
7	PANEL Cat #: 85H66 Model/Part #: LB-58491CG	1	REAR(CB & CBH UNITS)
8	PANEL Cat #: 30K89 Model/Part #: LB-58495CJ	1	SECURING(TXV UNITS)
9	SHIELD-DRIP Cat #: 66H33 Model/Part #: LB-62849C	2	(CB UNITS)

## COOLING PARTS

Callout	Name	Quantity	Description
	VALVE-EXPANSION Cat #: 37J69 Model/Part #: 37J6901	1	(TXV UNITS)
	FUSE Cat #: 71G35 Model/Part #: 71G3501	1	"N3 TYPE,3.5AMP,125V"
	SEAL-COIL Cat #: LB-74142 Model/Part #: LB-74142	1	BOTT(CB-TXV UNITS)
	SUPPORT-COIL Cat #: LB-74143 Model/Part #: LB-74143	2	(CB-TXV UNITS)
	SUPPORT-COIL Cat #: LB-74148 Model/Part #: LB-74148	2	(CB-TXV UNITS)
	SUPPORT-COIL Cat #: LB-74202 Model/Part #: LB-74202	2	(CBH-TXV UNITS)
	CAP-SEAL Cat #: 58114 Model/Part #: P-8-3187	1	CAP, BRASS
10	COIL-INDOOR Cat #: 96J32 Model/Part #: LB-87363B	1	W/MANIFOLD(CB-TX UNITS)
12	PAN-DRAIN Cat #: 96G11 Model/Part #: LB-59038C	1	(CB UNITS)
15	DISTRIBUTOR ASSY Cat #: 69J27 Model/Part #: 69J2701	1	(TXV UNITS)
20	SEAL-COIL Cat #: LB-74141 Model/Part #: LB-74141	1	REAR(TXV UNITS)
23	PAN-DRIP	1	(CB-TXV UNITS)

<b>Callout</b>	<b>Name</b>	<b>Quantity</b>	<b>Description</b>
	Cat #: 65K08 Model/Part #: LB-74147		
25	SEAL-COIL Cat #: LB-74138 Model/Part #: LB-74138	2	TOP(CB-TXV UNITS)
25	SEAL-COIL Cat #: LB-74140 Model/Part #: LB-74140	1	FRONT(TXV UNITS)
K3	RELAY Cat #: 66C67 Model/Part #: P-8-10283	1	"ID BLOWER,DPDT,24V"
T1	TRANSFORMER Cat #: 65G49 Model/Part #: 65G4901	1	"208/230V PRI, 24V SEC,70VA W/FUSE"
TB1	BLOCK-TERMINAL Cat #: 71G37 Model/Part #: 71G3701	1	LOCATED CAP CABINET
TB2	BOARD-TERMINAL Cat #: 78H59 Model/Part #: 78H5901	1	TERMINAL BOARD

**Note:**

Note1: WHEN REPLACING COIL, IT WILL BE NECESSARY TO REMOVE RESTRICTOR (KEY #21) FROM OLD COIL FOR USE IN THE NEW COIL, AS THIS PART IS NOT INCLUDED IN REPAIR COIL PACKAGE.