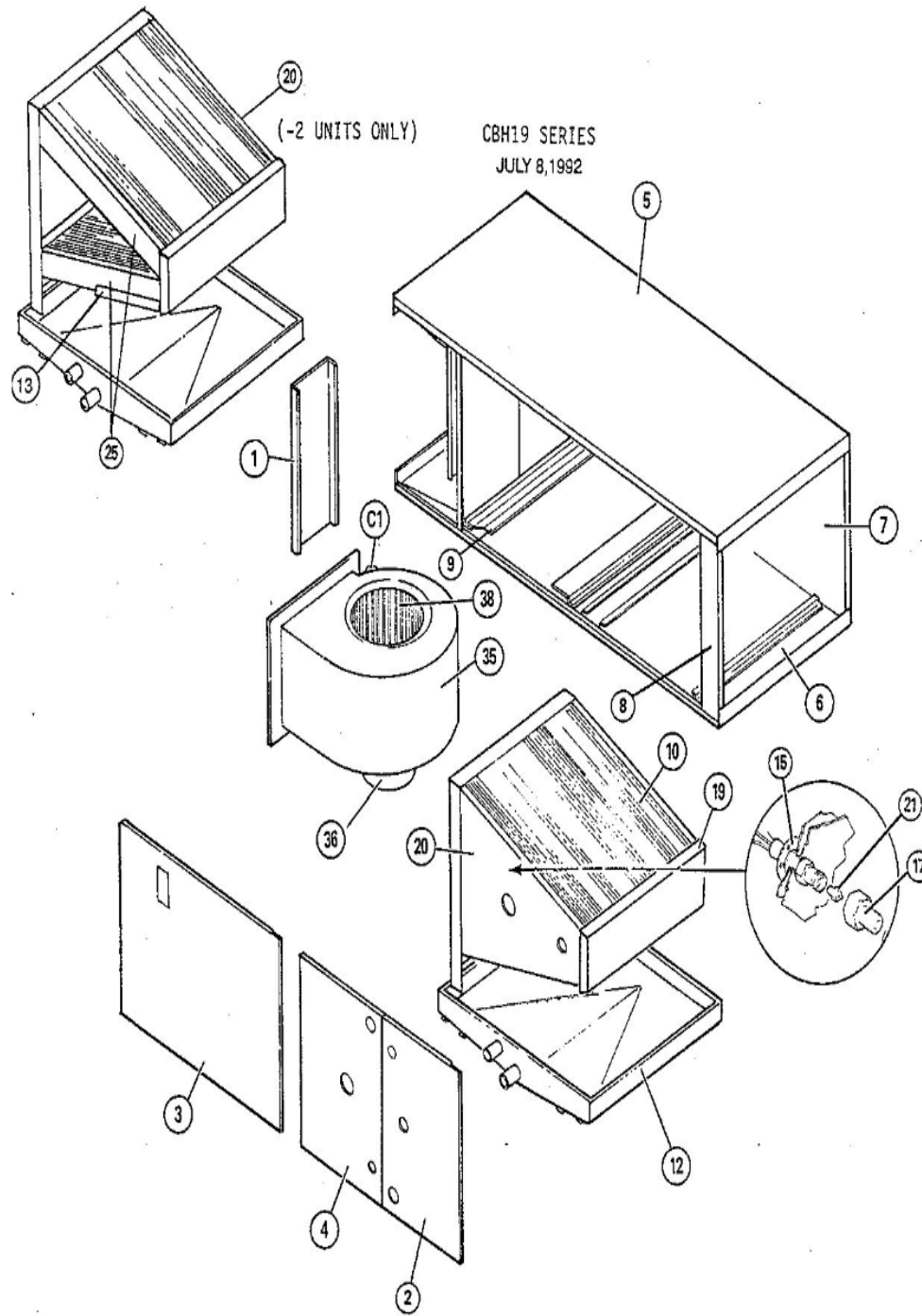




# CB19/CBH19/B19 CONTROL PANEL PARTS

MARCH 15, 1990





Revision Number - 2

## \*OPTIONAL PARTS-FIELD INSTALLED

Callout	Name	Quantity	Description
	INSERT Cat #: 17J75 Model/Part #: LB-64995	1	DRAIN PAN
	SHIELD-DRIP Cat #: 17J77 Model/Part #: LB-64997	1	FRONT
	SHIELD-DRIP Cat #: 17J78 Model/Part #: LB-64998	1	REAR
	RETAINER Cat #: 17J82 Model/Part #: LB-65056B	1	INSULATION
	SUPPORT-COIL Cat #: 17J84 Model/Part #: LB-82246D	2	ANGLE, COIL SUPPORT
	PAN-DRIP Cat #: 66H37 Model/Part #: LB-82256C	1	(CBH UNITS)

## BLOWER PARTS

Callout	Name	Quantity	Description
	PLATE-CUTOFF Cat #: 50198 Model/Part #: LB-10163	1	CUTOFF PLATE 9IN
35	HOUSING-BLOWER Cat #: 38H03 Model/Part #: LB-78749CC	1	BLOWER HOUSING
36	MOTOR-BLOWER Cat #: 65G59 Model/Part #: 65G5901	1	"1/3HP,825RPM,208-230/60/1"
38	WHEEL-BLOWER Cat #: 21709 Model/Part #: P-5-226	1	"1/2""BORE,10-5/8"" X 7-1/8""
C1	CAPACITOR Cat #: 53H06 Model/Part #: 39H6301	1	"15MFD,370V"

## CABINET PARTS

<b>Callout</b>	<b>Name</b>	<b>Quantity</b>	<b>Description</b>
	SPACER-FILTER Cat #: 66H32 Model/Part #: LB-82093D	1	(CB & CBH UNITS)
	GUIDE-FILTER Cat #: 66H31 Model/Part #: LB-82095C	2	(CB & CBH UNITS)
1	CAP-CABINET Cat #: 28H62 Model/Part #: LB-58492CB	1	(CB UNITS)
1	CAP-CABINET Cat #: 85H68 Model/Part #: LB-58492CG	1	(CBH UNITS)
2	PANEL Cat #: 54H99 Model/Part #: LB-79026CA	1	PLUMBING(CB UNITS)
2	PANEL Cat #: 66H30 Model/Part #: LB-79027CA	1	PLUMBING(CBH UNITS)
3	PANEL Cat #: 66H29 Model/Part #: LB-58493CG	1	BLOWER(CB UNITS)
3	PANEL Cat #: 85H70 Model/Part #: LB-58493CJ	1	BLOWER(CBH UNITS)
4	PANEL Cat #: 53H70 Model/Part #: LB-79024CA	1	PLUMBING(CBH UNITS)
4	PANEL Cat #: 53H71 Model/Part #: LB-79025CA	1	PLUMBING(CB UNITS)
5	WRAPPER Cat #: 85H62 Model/Part #: LB-58486CG	1	TOP(CB & CBH UNITS)
6	WRAPPER Cat #: 85H64 Model/Part #: LB-58490CG	1	BOTT(CB & CBH UNITS)
7	PANEL Cat #: 85H66 Model/Part #: LB-58491CG	1	REAR(CB & CBH UNITS)
8	PANEL Cat #: 24H45 Model/Part #: LB-58495CB	1	SECURING(CB UNITS)
8	PANEL Cat #: 85H72 Model/Part #: LB-58495CG	1	SECURING(CBH UNITS)
9	SHIELD-DRIP Cat #: 66H33 Model/Part #: LB-62849C	2	(CB UNITS)

**COOLING PARTS**

<b>Callout</b>	<b>Name</b>	<b>Quantity</b>	<b>Description</b>
	VALVE-EXPANSION Cat #: 36G98 Model/Part #: 36G9801	1	(CB-TXV UNITS)
	FUSE Cat #: 71G35 Model/Part #: 71G3501	1	"N3 TYPE,3.5AMP,125V"
	CAP-SEAL Cat #: 86G97 Model/Part #: 86G9701	1	CAP-PLASTIC SEAL
	SUPPORT-COIL Cat #: 66H34 Model/Part #: LB-58446D	2	(CB UNITS)
	HOSE-DRAIN Cat #: 17H55 Model/Part #: LB-59267D	1	HOSE-DRAIN
	SEAL-COIL Cat #: 51J83 Model/Part #: LB-62846C	1	BOTT(CB-TXV UNITS)
	ADAPTER Cat #: 15J51 Model/Part #: LB-82210DA	1	LIQUID LINE ASSY
10	COIL-INDOOR Cat #: 29H79 Model/Part #: LB-81688CAF	1	W/MANIFOLD(CBH UNITS- FOOTNOTE 1)
10	COIL-INDOOR Cat #: 29H73 Model/Part #: LB-81688CY	1	W/MANIFOLD(CB UNITS- FOOTNOTE 1)
12	PAN-DRAIN Cat #: 53H34 Model/Part #: LB-58619CB	1	(CBH UNITS)
12	PAN-DRAIN Cat #: 96G11 Model/Part #: LB-59038C	1	(CB UNITS)
13	SHIELD-DRIP Cat #: 66H38 Model/Part #: LB-58634C	2	HORIZONTAL
15	DISTRIBUTOR ASSY Cat #: 10H75 Model/Part #: LB-61742CB	1	DIST ASSY
17	ADAPTER Cat #: 18J59 Model/Part #: 18J5901	1	(CB-TXV UNITS)
17	ADAPTER	1	ADAPTOR

<b>Callout</b>	<b>Name</b>	<b>Quantity</b>	<b>Description</b>
	Cat #: 71G09 Model/Part #: 71G0901		
19	PAN-DRIP Cat #: 66H37 Model/Part #: LB-82256C	1	(CBH UNITS)
20	SEAL-COIL Cat #: 66H39 Model/Part #: LB-82294C	1	REAR(CB & CBH)
21	RESTRICTOR Cat #: 71G03 Model/Part #: 71G0301	1	RESTRICTOR
21	RESTRICTOR Cat #: 97H97 Model/Part #: 97H9701	1	(USED WITH HP24)
23	PAN-DRIP Cat #: 60H75 Model/Part #: LB-58448C	1	(CB UNITS)
23	PAN-DRIP Cat #: 66H36 Model/Part #: LB-62851C	1	(CB-TXV UNITS)
25	SEAL-COIL Cat #: 30H10 Model/Part #: LB-58445C	2	TOP(CB UNITS)
25	SEAL-COIL Cat #: 54J17 Model/Part #: LB-78924B	1	FRONT(CB-TXV UNITS)
25	SEAL-COIL Cat #: 66H40 Model/Part #: LB-82248D	2	FRONT(CB)
25	SEAL-COIL Cat #: 17J86 Model/Part #: LB-83474	1	FRONT-TOP(CBH UNITS)
25	SEAL-COIL Cat #: 17J87 Model/Part #: LB-83475	1	FRONT-BOTTOM(CBH UNITS)
K3	RELAY Cat #: 66C67 Model/Part #: P-8-10283	1	"ID BLOWER,DPDT,24V"
T1	TRANSFORMER Cat #: 65G49 Model/Part #: 65G4901	1	"208/230V PRI, 24V SEC,70VA W/FUSE"
TB1	BLOCK-TERMINAL Cat #: 71G37 Model/Part #: 71G3701	1	LOCATED CAP CABINET
TB2	BOARD-TERMINAL Cat #: 78H59 Model/Part #: 78H5901	1	TERMINAL BOARD

**Note:**

Note1: WHEN REPLACING COIL, IT WILL BE NECESSARY TO REMOVE RESTRICTOR (KEY #21) FROM OLD COIL FOR USE IN THE NEW COIL, AS THIS PART IS NOT INCLUDED IN REPAIR COIL PACKAGE.