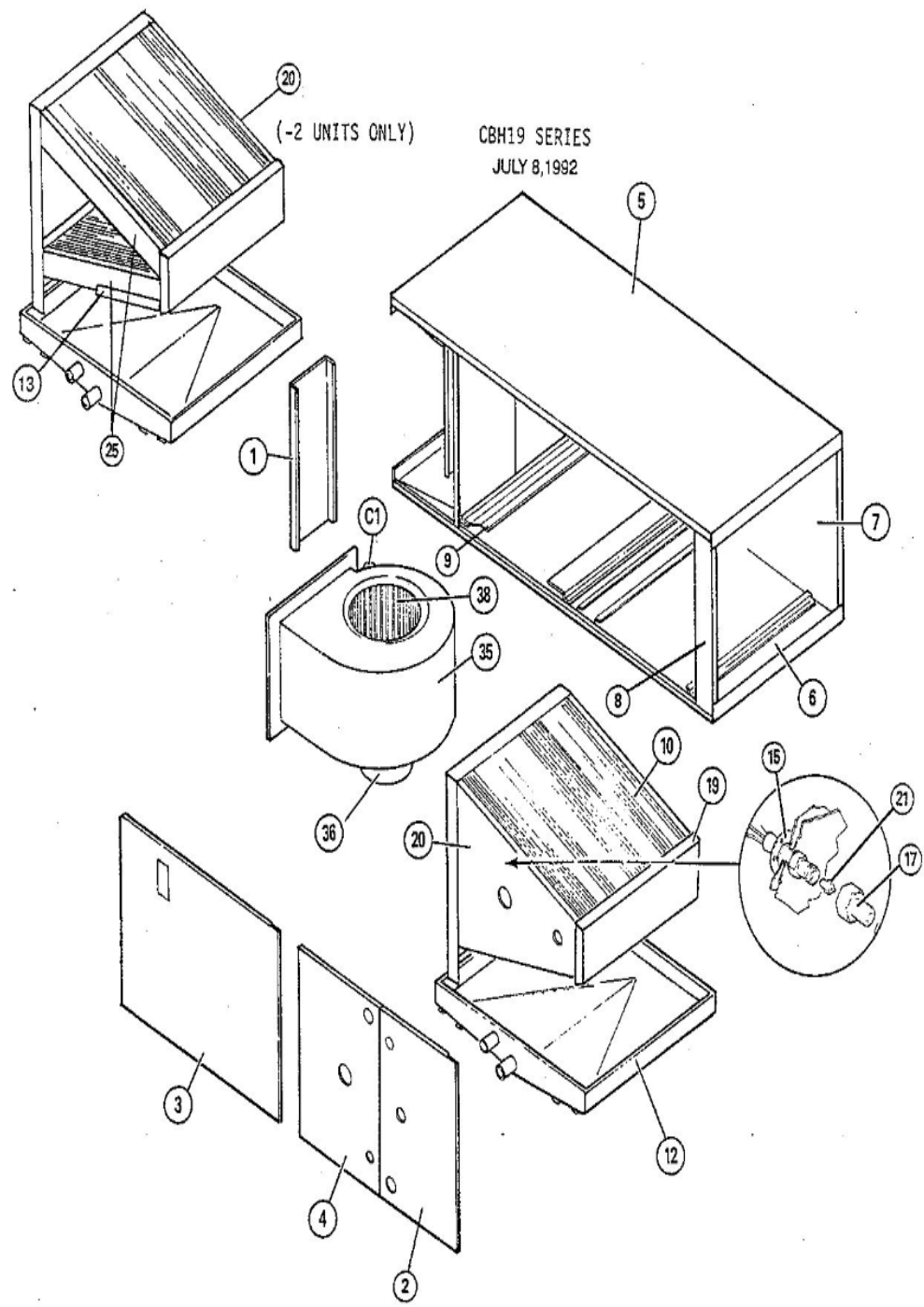




CB19/CBH19/B19 CONTROL PANEL PARTS

MARCH 15, 1990





Revision Number - 3

BLOWER PARTS

Callout	Name	Quantity	Description
	PLATE-CUTOFF Cat #: 77H80 Model/Part #: LB-44707D	1	CUTOFF PLATE
35	HOUSING-BLOWER Cat #: 38H01 Model/Part #: LB-78749CA	1	BLOWER HOUSING
36	MOTOR-BLOWER Cat #: 81G48 Model/Part #: 81G4801	1	"1/10HP,825RPM,208-230/60/1"
38	WHEEL-BLOWER Cat #: 55835 Model/Part #: P-5-66	1	"1/2""BORE,9-1/16"" X 6-3/4""
C1	CAPACITOR Cat #: 22W78 Model/Part #: 59C9201	1	"5MFD,370V"

CABINET PARTS

Callout	Name	Quantity	Description
	GUIDE FILTER Cat #: 37K37 Model/Part #: LB-74144	2	(TXV UNITS)
	SPACER-FILTER Cat #: 90H65 Model/Part #: LB-82132D	1	(CB & CBH UNITS)
1	CAP-CABINET Cat #: LB-74169 Model/Part #: LB-74169	1	(TXV UNITS)
2	PANEL Cat #: 40K80 Model/Part #: LB-79026CF	1	PLUMBING(CB-TXV UNITS)
3	PANEL Cat #: 54K26 Model/Part #: LB-58493CN	1	BLOWER(TXV UNITS)
4	PANEL Cat #: LB-79025CG Model/Part #: LB-79025CG	1	PLUMBING(TXV UNITS)
5	WRAPPER Cat #: 85H61 Model/Part #: LB-58486CF	1	TOP(CB & CBH UNITS)
6	WRAPPER Cat #: 85H63 Model/Part #: LB-58490CF	1	BOTT(CB & CBH UNITS)

Callout	Name	Quantity	Description
7	PANEL Cat #: 85H65 Model/Part #: LB-58491CF	1	REAR(CB & CBH UNITS)
8	PANEL-SECURING Cat #: 30K73 Model/Part #: LB-58495CH	1	(TXV UNITS)
9	SHIELD-DRIP Cat #: 66H33 Model/Part #: LB-62849C	2	(CB UNITS)

COOLING PARTS

Callout	Name	Quantity	Description
	VALVE-EXPANSION Cat #: 37J69 Model/Part #: 37J6901	1	(TXV UNITS)
	FUSE Cat #: 71G35 Model/Part #: 71G3501	1	"N3 TYPE,3.5AMP,125V"
	SEAL-COIL Cat #: LB-74138 Model/Part #: LB-74138	2	TOP(CB-TXV UNITS)
	SUPPORT-COIL Cat #: LB-74143 Model/Part #: LB-74143	2	(CB-TXV UNITS)
	SUPPORT-COIL Cat #: LB-74148 Model/Part #: LB-74148	2	(CB-TXV UNITS)
	SEAL-COIL Cat #: LB-74189 Model/Part #: LB-74189	1	BOTT(CB-TXV UNITS)
	SUPPORT-COIL Cat #: LB-74194 Model/Part #: LB-74194	2	(CBH-TXV UNITS)
	CAP-SEAL Cat #: 58114 Model/Part #: P-8-3187	1	(TXV UNITS)
10	COIL-INDOOR Cat #: 96J31 Model/Part #: LB-87363A	1	W/MANIFOLD(CB-TXV UNITS)
12	PAN-DRAIN Cat #: 85G02 Model/Part #: LB-58244C	1	(CB & CB-TXV UNITS)
15	DISTRIBUTOR ASSY Cat #: 69J26 Model/Part #: 69J2601	1	(TXV UNITS)
20	SEAL-COIL	1	REAR(TXV UNITS)

Callout	Name	Quantity	Description
	Cat #: LB-74190 Model/Part #: LB-74190		
20	SEAL-COIL Cat #: LB-74191 Model/Part #: LB-74191	1	FRONT(TXV UNITS)
23	PAN-DRIP Cat #: LB-74192 Model/Part #: LB-74192	1	(CB-TXV UNITS)
K3	RELAY Cat #: 66C67 Model/Part #: P-8-10283	1	"ID BLOWER,DPDT,24V"
T1	TRANSFORMER Cat #: 65G49 Model/Part #: 65G4901	1	"208/230V PRI,24V SEC,70VA W/FUSE"
TB1	BLOCK-TERMINAL Cat #: 71G37 Model/Part #: 71G3701	1	LOCATED CAB TOP
TB2	BOARD-TERMINAL Cat #: 78H59 Model/Part #: 78H5901	1	TERMINAL BOARD

Note:

Note1: WHEN REPLACING COIL, IT WILL BE NECESSARY TO REMOVE RESTRICTOR (KEY #21) FROM OLD COIL FOR USE IN THE NEW COIL, AS THIS PART IS NOT INCLUDED IN REPAIR COIL PACKAGE.