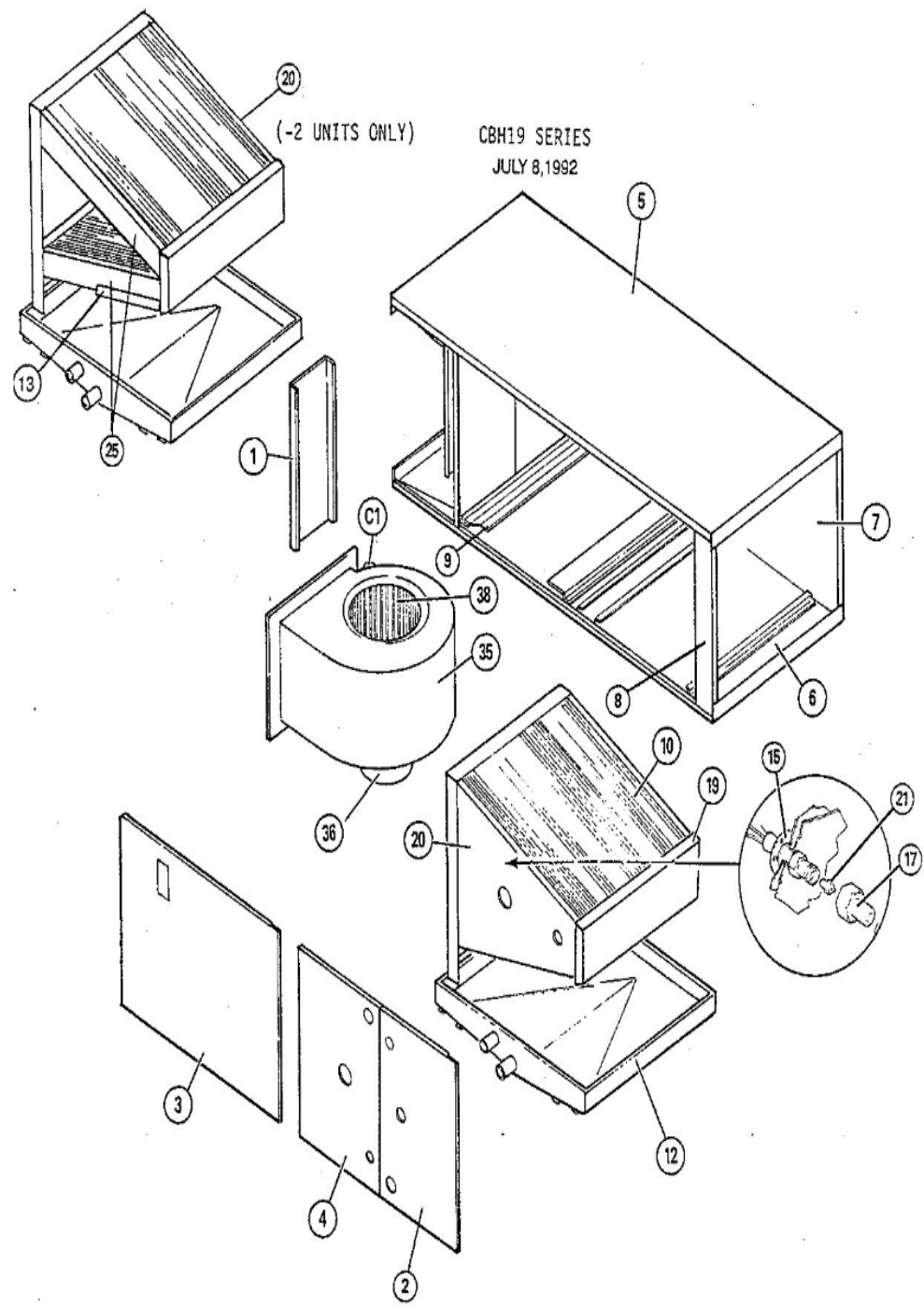




CB19/CBH19/B19 CONTROL PANEL PARTS

MARCH 15, 1990





Revision Number - 1

BLOWER PARTS

| Callout | Name | Quantity | Description |
|---------|---|----------|-------------------------------|
| | PLATE-CUTOFF Cat #: 77H80 Model/Part #: LB-44707D | 1 | CUTOFF PLATE |
| 35 | HOUSING-BLOWER Cat #: 38H01 Model/Part #: LB-78749CA | 1 | BLOWER HOUSING |
| 36 | MOTOR-BLOWER Cat #: 81G48 Model/Part #: 81G4801 | 1 | "1/10HP,825RPM,208-230/60/1" |
| 38 | WHEEL-BLOWER Cat #: 55835 Model/Part #: P-5-66 | 1 | "1/2""BORE,9-1/16"" X 6-3/4"" |
| C1 | CAPACITOR Cat #: 22W78 Model/Part #: 59C9201 | 1 | "5MFD,370V" |

CABINET PARTS

| Callout | Name | Quantity | Description |
|---------|---|----------|-------------------------|
| | GUIDE FILTER Cat #: 37K37 Model/Part #: LB-74144 | 2 | (TXV UNITS) |
| | GUIDE-FILTER Cat #: 66H31 Model/Part #: LB-82095C | 2 | (CB & CBH UNITS) |
| | SPACER-FILTER Cat #: 90H65 Model/Part #: LB-82132D | 1 | (CB & CBH UNITS) |
| 1 | CAP-CABINET Cat #: 82H75 Model/Part #: LB-58492CA | 1 | (CB UNITS) |
| 1 | CAP-CABINET Cat #: 85H67 Model/Part #: LB-58492CF | 1 | (CBH UNITS) |
| 1 | CAP-CABINET Cat #: LB-74169 Model/Part #: LB-74169 | 1 | (TXV UNITS) |
| 2 | PANEL Cat #: LB-79027CF Model/Part #: LB-79027CF | 1 | PLUMBING(CBH-TXV UNITS) |
| 3 | PANEL Cat #: 47J29 Model/Part #: LB-58493CA | 1 | BLOWER(CB UNITS) |

| Callout | Name | Quantity | Description |
|----------------|---|-----------------|----------------------|
| 3 | PANEL Cat #: 85H69 Model/Part #: LB-58493CH | 1 | BLOWER(CBH UNITS) |
| 3 | PANEL Cat #: 54K26 Model/Part #: LB-58493CN | 1 | BLOWER(TXV UNITS) |
| 4 | PANEL Cat #: 30H04 Model/Part #: LB-58494CA | 1 | PLUMBING(CBH UNITS) |
| 4 | PANEL Cat #: LB-79025CG Model/Part #: LB-79025CG | 1 | PLUMBING(TXV UNITS) |
| 5 | WRAPPER Cat #: 85H61 Model/Part #: LB-58486CF | 1 | TOP(CB & CBH UNITS) |
| 6 | WRAPPER Cat #: 85H63 Model/Part #: LB-58490CF | 1 | BOTT(CB & CBH UNITS) |
| 7 | PANEL Cat #: 85H65 Model/Part #: LB-58491CF | 1 | REAR(CB & CBH UNITS) |
| 8 | PANEL-SECURING Cat #: 55H41 Model/Part #: LB-58495CA | 1 | (CB UNITS) |
| 8 | PANEL-SECURING Cat #: 85H71 Model/Part #: LB-58495CF | 1 | (CBH UNITS) |
| 8 | PANEL-SECURING Cat #: 30K73 Model/Part #: LB-58495CH | 1 | (TXV UNITS) |
| 9 | SHIELD-DRIP Cat #: 75H99 Model/Part #: LB-59315C | 2 | DRIP SHIELD |

COOLING PARTS

| Callout | Name | Quantity | Description |
|----------------|---|-----------------|--------------------------|
| | VALVE-EXPANSION Cat #: 37J69 Model/Part #: 37J6901 | 1 | (TXV UNITS) |
| | FUSE Cat #: 71G35 Model/Part #: 71G3501 | 1 | "N3 TYPE,3.5AMP,125V" |
| | CAP-SEAL Cat #: 86G97 Model/Part #: 86G9701 | 1 | CAP-PLASTIC SEAL |
| | SEAL-COIL | 2 | TOP(CB UNITS) |

| Callout | Name | Quantity | Description |
|----------------|---|-----------------|-----------------------------------|
| | Cat #: 30H10 Model/Part #: LB-58445C | | |
| | SUPPORT-COIL Cat #: 66H34 Model/Part #: LB-58446D | 4 | (CBH UNITS) |
| | HOSE-DRAIN Cat #: 17H55 Model/Part #: LB-59267D | 1 | HOSE-DRAIN |
| | ADAPTER Cat #: 17H56 Model/Part #: LB-61604D | 1 | EXPANSION VALVE |
| | SUPPORT-COIL Cat #: LB-74158 Model/Part #: LB-74158 | 2 | (CBH-TXV UNITS) |
| | SUPPORT-COIL Cat #: LB-74161 Model/Part #: LB-74161 | 2 | (CBH-TXV UNITS) |
| | CAP-SEAL Cat #: 58114 Model/Part #: P-8-3187 | 1 | (TXV UNITS) |
| 10 | COIL-INDOOR Cat #: 14H37 Model/Part #: LB-81688CA | 1 | W/MANIFOLD(CB UNITS- FOOTNOTE 1) |
| 10 | COIL-INDOOR Cat #: 14H43 Model/Part #: LB-81688CG | 1 | W/MANIFOLD(CBH UNITS- FOOTNOTE 1) |
| 10 | COIL-INDOOR Cat #: 96J36 Model/Part #: LB-87363F | 1 | W/MANIFOLD(CBH-TXV UNITS) |
| 12 | PAN-DRAIN Cat #: 85G02 Model/Part #: LB-58244C | 1 | (CB & CB-TXV UNITS) |
| 12 | PAN-DRAIN Cat #: 42H21 Model/Part #: LB-58619CA | 1 | (CBH UNITS) |
| 12 | PAN-DRAIN Cat #: 35K27 Model/Part #: LB-87299A | 1 | (CBH-TXV UNITS) |
| 15 | DISTRIBUTOR ASSY Cat #: 69J26 Model/Part #: 69J2601 | 1 | (TXV UNITS) |
| 15 | DISTRIBUTOR ASSY Cat #: 10H74 Model/Part #: LB-61742CA | 1 | DIST S.A. |
| 17 | ADAPTER Cat #: 71G09 Model/Part #: 71G0901 | 1 | ADAPTOR |

| Callout | Name | Quantity | Description |
|----------------|---|-----------------|---------------------------------------|
| 19 | PAN-DRIP Cat #: 49H49 Model/Part #: LB-58629C | 1 | (CBH UNITS) |
| 19 | PAN-DRIP Cat #: LB-74195 Model/Part #: LB-74195 | 1 | (CBH-TXV UNITS) |
| 20 | SEAL-COIL Cat #: LB-58690C Model/Part #: LB-58690C | 2 | FRONT & REAR |
| 20 | SEAL-COIL Cat #: LB-74190 Model/Part #: LB-74190 | 1 | REAR(TXV UNITS) |
| 20 | SEAL-COIL Cat #: LB-74191 Model/Part #: LB-74191 | 1 | FRONT(TXV UNITS) |
| 21 | RESTRICTOR Cat #: 81G44 Model/Part #: 81G4401 | 1 | RESTRICTOR |
| 23 | PAN-DRIP Cat #: 99J80 Model/Part #: LB-58689C | 1 | (CB UNITS) |
| 40 | HOLDER-FUSE Cat #: 12F01 Model/Part #: 12F0101 | 1 | HOLDER-FUSE |
| 41 | FUSE Cat #: 34C21 Model/Part #: 34C2101 | 1 | "GMQ TYPE,3.2AMP,300V" |
| K3 | RELAY Cat #: 66C67 Model/Part #: P-8-10283 | 1 | "ID BLOWER,DPDT,24V" |
| T1 | TRANSFORMER Cat #: 65G48 Model/Part #: 65G4801 | 1 | "240V PRI, 24V SEC,70VA,L/FUSE" |
| T1 | TRANSFORMER Cat #: 65G49 Model/Part #: 65G4901 | 1 | "208/230V PRI,24V SEC,70VA W/FUSE" |
| TB1 | BLOCK-TERMINAL Cat #: 71G37 Model/Part #: 71G3701 | 1 | LOCATED CAB TOP |
| TB2 | BOARD-TERMINAL Cat #: 78H59 Model/Part #: 78H5901 | 1 | TERMINAL BOARD |

Note:

Note1: WHEN REPLACING COIL, IT WILL BE NECESSARY TO REMOVE RESTRICTOR (KEY #21) FROM OLD COIL FOR USE IN THE NEW COIL, AS THIS PART IS NOT INCLUDED IN REPAIR COIL PACKAGE.