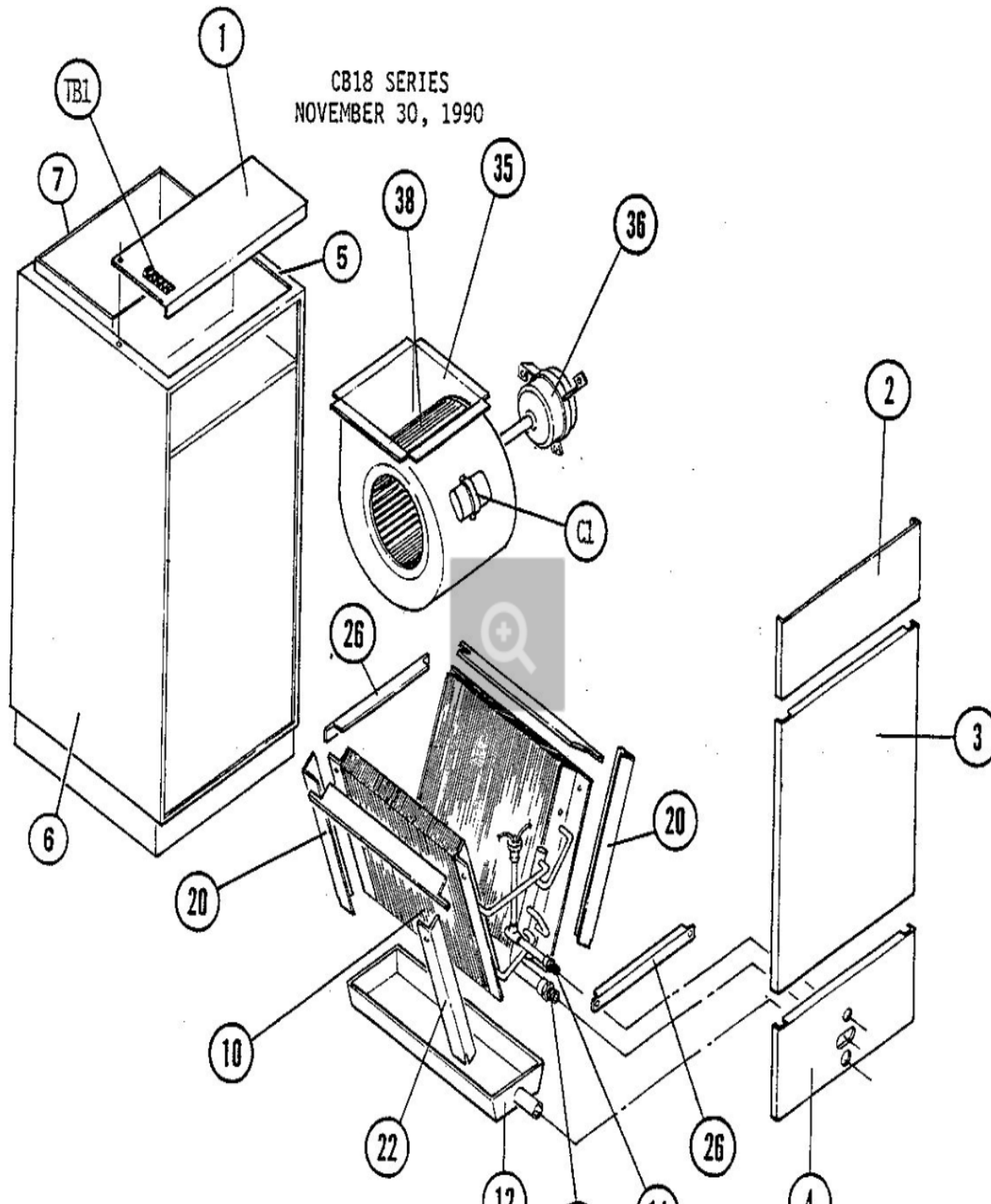


CB18 SERIES
NOVEMBER 30, 1990



Revision Number - 1

*OPTIONAL PARTS-FIELD INSTALLED

Callout	Name	Quantity	Description
	VALVE-EXPANSION Cat #: 25G82 Model/Part #: 25G8201	1	VALVE-EXP
	VALVE-EXPANSION Cat #: 43G02 Model/Part #: 43G0201	1	VALVE EXPANSION CK.

BLOWER PARTS

Callout	Name	Quantity	Description
	WHEEL-BLOWER Cat #: 10G44 Model/Part #: 82F7601	1	"1/2"BORE,11-1/2"X9"
	PLATE-CUTOFF Cat #: 46G30 Model/Part #: LB-15558D	1	PLATE-CUT OFF (12 x 9)
	MOUNT-MOTOR Cat #: 11G61 Model/Part #: LB-52637DA	3	FRAME
	MOUNT-MTR Cat #: 11G74 Model/Part #: LB-53536C	3	FRAME(INTL ONLY)
35	HOUSING-BLOWER Cat #: 46G29 Model/Part #: LB-51184CD	1	BLOWER SA
36	MOTOR-BLOWER Cat #: 36G31 Model/Part #: 36G3101	1	"3/4HP,1075RPM,460/60/1"
36	MOTOR-BLOWER Cat #: 49C10 Model/Part #: 49C1001	1	"1HP,1020RPM,220-240/50/1 (INTL)(FOOTNOT
36	MOTOR-BLOWER Cat #: 78F92 Model/Part #: 78F9201	1	"3/4HP,1075RPM,208-230/60/1"
C1	CAPACITOR Cat #: 81A40 Model/Part #: 81A4001	1	"10MFD,370VAC(208/230V)"
C1	CAPACITOR-BLR MTR Cat #: 53H06 Model/Part #: 81A4201	1	"15MFD,370VAC(460V)"

Callout	Name	Quantity	Description
C1	CAPACITOR-BLO MTR Cat #: 81A51 Model/Part #: 81A5101	1	"20MFD,440VAC(INTL ONLY)"

CABINET PARTS

Callout	Name	Quantity	Description
	FILTER-AIR"20""X25""X1"" ,SLAB" Cat #: Model/Part #:	1	
1	CAP-CABINET Cat #: 19J94 Model/Part #: LB-56457C	1	CABINET CAP.
2	PANEL Cat #: 50G26 Model/Part #: LB-51740CC	1	HEAT SECTION(208/230V & 220/240V)
2	PANEL Cat #: LB-51740CE Model/Part #: LB-51740CE	1	HEAT SECTION(460V)
3	PANEL Cat #: 49G40 Model/Part #: LB-52414CA	1	BLOWER
4	PANEL Cat #: 91G73 Model/Part #: LB-51190CB	1	PLUMBING
4	PANEL Cat #: 34H94 Model/Part #: LB-51190CD	1	PLUMBING(460V ONLY)
5	WRAPPER Cat #: 88G14 Model/Part #: LB-51173CE	1	RIGHT SIDE
6	WRAPPER Cat #: 91G74 Model/Part #: LB-51174CE	1	LEFT SIDE
7	PANEL Cat #: 92G14 Model/Part #: LB-51176CE	1	REAR

COOLING PARTS

Callout	Name	Quantity	Description
	RELAY Cat #: 45A02 Model/Part #: 45A0201	1	"(K1)I.D.BLOWER-SPDT,24V (208/230V & 220
	TRANSFORMER	1	"(T1)208/230V PRI,24V

Callout	Name	Quantity	Description
	Cat #: 13H28 Model/Part #: 75A7901		SEC, 50VA W/FUSE"
	FITTING PRESS TAP Cat #: 86G64 Model/Part #: 86G6401	1	FITTING, PRESSURE TAP
	FUSE Cat #: 99C09 Model/Part #: 99C0901	1	"GMA TYPE,3.15 AMP,250V (INTL ONLY)"
	TRANSFORMER Cat #: 99C10 Model/Part #: 99C1001	1	"(T1)240VPRI,24VSEC,60VA L/FUSE(INTL ONL
	HOLDER-FUSE Cat #: 99C32 Model/Part #: 99C3201	1	(INTL ONLY)
	SEAL-COIL Cat #: 14J66 Model/Part #: LB-52439C	2	TOP
	DISTRIBUTOR ASSY Cat #: 15J99 Model/Part #: LB-78882E	1	DIST ASSY
	RELAY Cat #: 66C67 Model/Part #: P-8-10283	2	"(K1)I.D.BLOWER- DPDT,24V(460V)"
	TRANSFORMER Cat #: 66573 Model/Part #: P-8-1306	1	"(T1)440V PRI,24V SEC,50VA W/FUSE"
	FUSE Cat #: 66247 Model/Part #: P-8-1674	1	"C TYPE,2.5AMP,250V"
	CAP-SEAL Cat #: 58114 Model/Part #: P-8-3187	1	CAP, BRASS
	BLOCK-TERMINAL Cat #: 38674 Model/Part #: P-8-9957	1	(TB2)LOCATED-BLOWER DECK
10	COIL-INDOOR Cat #: 62H88 Model/Part #: LB-65183F	1	W/MANIFOLD
12	PAN-DRAIN Cat #: 74G47 Model/Part #: LB- 51283CC	1	METAL-W/INSULATION
12	PAN-DRAIN Cat #: 94G99 Model/Part #: LB- 51283CH	1	METAL- W/INSULATION(460V ONLY)
12	PAN-DRAIN Cat #: 95G00 Model/Part #: LB- 51283CL	1	"W/INSUL,PLASTIC(ALT- 460V)"

Callout	Name	Quantity	Description
12	PAN-DRAIN Cat #: 54H91 Model/Part #: LB-51444B	1	PLASTIC(ALTERNATE)
20	SHIELD-DRIP Cat #: LB-52437C Model/Part #: LB-52437C	2	"RIGHT FRONT,LEFT REAR"
20	SHIELD-DRIP Cat #: 54H22 Model/Part #: LB-58259C	2	"RIGHT FRONT,LEFT REAR(460V)"
22	SHIELD-DRIP Cat #: LB-52438C Model/Part #: LB-52438C	2	"LEFT FRONT,RIGHT REAR"
22	SHIELD-DRIP Cat #: 54H23 Model/Part #: LB-58260C	2	"LEFT FRONT,RIGHT REAR(460V)"
26	SUPPORT-COIL Cat #: 54H24 Model/Part #: LB-52436C	2	FRONT & REAR
TB1	BLOCK-TERMINAL Cat #: 42F50 Model/Part #: 42F5001	1	LOCATED-CAB CAP

Note:

Note1: IF LB-34792BB CHECK VALVE KIT WAS USED ORDER 62A4901 EXPANSION VALVE.

Note2: IF LB-34792BD CHECK VALVE KIT WAS USED ORDER 62A4801 EXPANSION VALVE.

Note3: THIS MOTOR IS NO LONGER AVAILABLE. FOR REPLACEMENT ORDER LB-90469B(CAT#62K71) MOTOR REPLACEMENT KIT WHICH CONTAINS THE FOLLOWING PARTS: 41K8601 MOTOR LB-90296 MOUNT-MOTOR LB-90468 HARNESS THIS WILL CONVERT THE MOTOR FROM GE TO EMERSON. ONCE THE