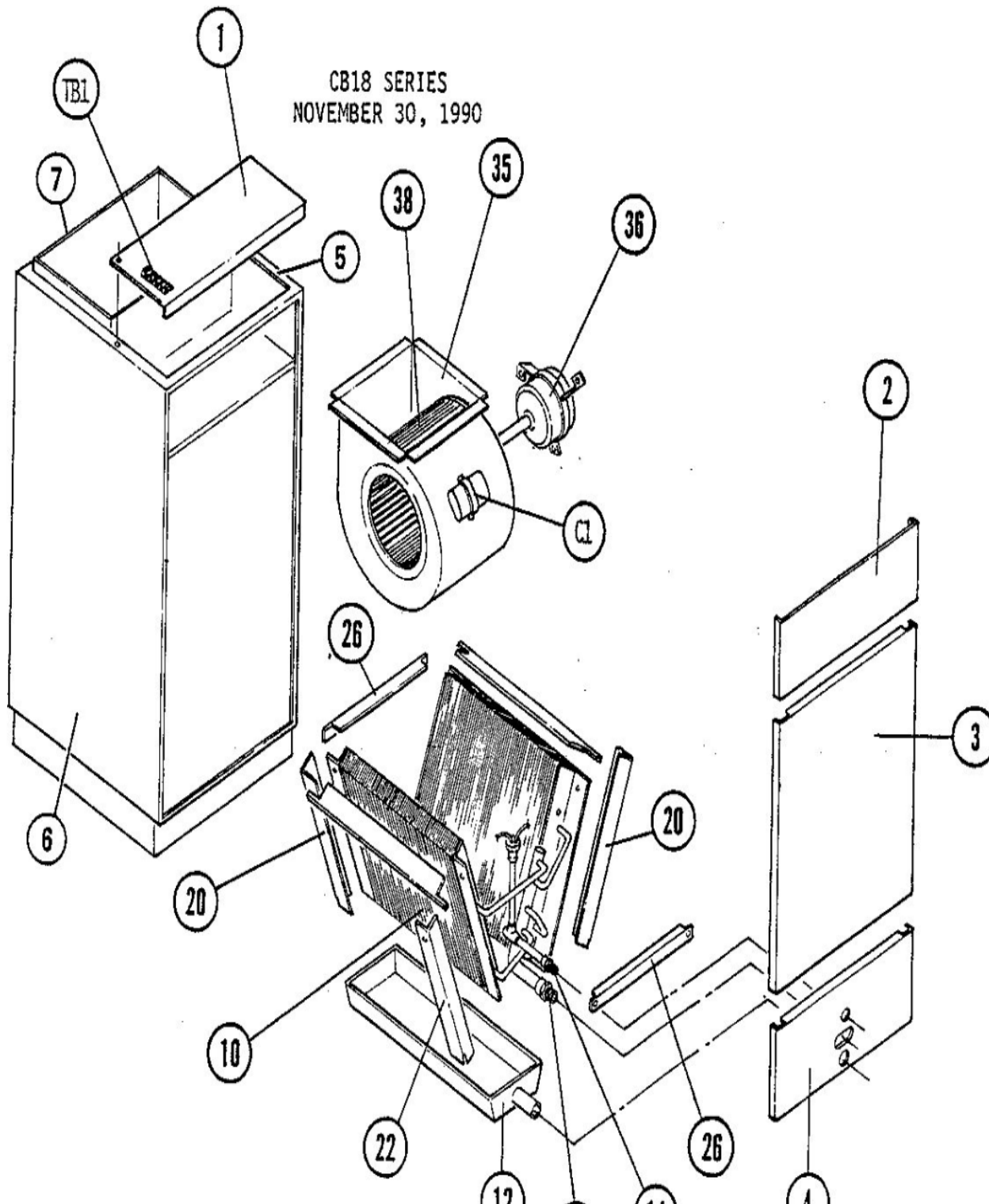


CB18 SERIES  
NOVEMBER 30, 1990



Revision Number - 1

## \*OPTIONAL PARTS-FIELD INSTALLED

Callout	Name	Quantity	Description
	VALVE-EXPANSION Cat #: 25G82 Model/Part #: 25G8201	1	VALVE-EXP
	VALVE-EXPANSION Cat #: 36G98 Model/Part #: 36G9801	1	VALVE-EXP

## BLOWER PARTS

Callout	Name	Quantity	Description
	PLATE-CUTOFF Cat #: 75G21 Model/Part #: LB-43838D	1	CUTOFF PLATE 10 X 9
	BAND-MOTOR Cat #: LB-75126D Model/Part #: LB-75126D	1	(INTL ONLY)
	ARM-MOTOR MOUNT Cat #: 32865 Model/Part #: P-8-9500	3	(INTL ONLY)
	MOUNT-MOTOR Cat #: 86851 Model/Part #: P-8-9967	3	MOTOR MOUNTING(INTL ONLY)
35	HOUSING-BLOWER Cat #: 32G92 Model/Part #: LB-51184CC	1	BLOWER SA
35	HOUSING-BLOWER Cat #: 92G54 Model/Part #: LB-51184CH	1	(INTL ONLY)
36	MOTOR-BLOWER Cat #: 15B45 Model/Part #: 15B4501	1	"1/2HP,1350RPM,220-240/50/1"
36	MOTOR-BLOWER Cat #: 28G16 Model/Part #: 28G1601	1	"1/2HP,1075RPM,460/60/1 W/MOUNTS"
36	MOTOR-BLOWER Cat #: 78F91 Model/Part #: 78F9101	1	"1/2HP,1075RPM,208-230/60/1 W/MOUNTS"
38	WHEEL-BLOWER Cat #: 21706 Model/Part #: P-5-217	1	"1/2""BORE,9-1/2"" X 10-5/8""
C1	CAPACITOR	1	"7MFD,370VAC(INTL

Callout	Name	Quantity	Description
	Cat #: 81A39 Model/Part #: 81A3901		ONLY)"
C1	CAPACITOR Cat #: 81A40 Model/Part #: 81A4001	1	"10MFD,370VAC"

## CABINET PARTS

Callout	Name	Quantity	Description
	FILTER-AIR"20""X25""X1"" SLAB" Cat #: Model/Part #:	1	
1	CAP-CABINET Cat #: 19J94 Model/Part #: LB-56457C	1	CABINET CAP.
2	PANEL Cat #: 50G26 Model/Part #: LB-51740CC	1	HEAT SECTION(208/230V & 220/240V)
2	PANEL Cat #: LB-51740CE Model/Part #: LB-51740CE	1	HEAT SECTION(460V)
3	PANEL Cat #: 49G40 Model/Part #: LB-52414CA	1	BLOWER
4	PANEL Cat #: 91G73 Model/Part #: LB-51190CB	1	PLUMBING
4	PANEL Cat #: 34H94 Model/Part #: LB-51190CD	1	PLUMBING(460V ONLY)
5	WRAPPER Cat #: 88G14 Model/Part #: LB-51173CE	1	RIGHT SIDE
6	WRAPPER Cat #: 91G74 Model/Part #: LB-51174CE	1	LEFT SIDE
7	PANEL Cat #: 92G14 Model/Part #: LB-51176CE	1	REAR

## COOLING PARTS

Callout	Name	Quantity	Description
	TRANSFORMER Cat #: 13H28 Model/Part #: 75A7901	1	"(T1)208/230V PRI,24V SEC, 50VA W/FUSE"

Callout	Name	Quantity	Description
	FITTING PRESS TAP Cat #: 86G64 Model/Part #: 86G6401	1	FITTING, PRESSURE TAP
	FUSE Cat #: 99C09 Model/Part #: 99C0901	1	"GMA TYPE,3.15 AMP,250V (INTL ONLY)"
	TRANSFORMER Cat #: 99C10 Model/Part #: 99C1001	1	"(T1)240VPRI,24VSEC,60VA L/FUSE(INTL ONL
	HOLDER-FUSE Cat #: 99C32 Model/Part #: 99C3201	1	(INTL ONLY)
	SEAL-COIL Cat #: LB-52432C Model/Part #: LB- 52432C	2	TOP
	DISTRIBUTOR ASSY Cat #: 15J98 Model/Part #: LB-78882D	1	DIST ASSY
	RELAY Cat #: 66C67 Model/Part #: P-8-10283	2	"(K1)I.D.BLOWER- DPDT,24V(460V)"
	TRANSFORMER Cat #: 66573 Model/Part #: P-8-1306	1	"(T1)440V PRI,24V SEC,50VA W/FUSE"
	FUSE Cat #: 66247 Model/Part #: P-8-1674	1	"C TYPE,2.5AMP,250V"
	CAP-SEAL Cat #: 58114 Model/Part #: P-8-3187	1	CAP, BRASS
	BLOCK-TERMINAL Cat #: 38674 Model/Part #: P-8-9957	1	(TB2)LOCATED-BLOWER DECK
10	COIL-INDOOR Cat #: 63H51 Model/Part #: LB-65183E	1	W/MANIFOLD
12	PAN-DRAIN Cat #: 74G47 Model/Part #: LB- 51283CC	1	METAL-W/INSULATION
12	PAN-DRAIN Cat #: 94G99 Model/Part #: LB- 51283CH	1	METAL- W/INSULATION(460V ONLY)
12	PAN-DRAIN Cat #: 95G00 Model/Part #: LB- 51283CL	1	"W/INSUL,PLASTIC(ALT- 460V)"

<b>Callout</b>	<b>Name</b>	<b>Quantity</b>	<b>Description</b>
12	PAN-DRAIN Cat #: 54H91 Model/Part #: LB-51444B	1	PLASTIC(ALTERNATE)
16	ADAPTER Cat #: 16A16 Model/Part #: P-8-8728	1	ADAPTOR
20	SHIELD-DRIP Cat #: 73H93 Model/Part #: LB-52433C	2	"RIGHT FRONT,LEFT REAR"
20	SHIELD-DRIP Cat #: 16J39 Model/Part #: LB-58257C	2	"RIGHT FRONT,LEFT REAR(460V)"
22	SHIELD-DRIP Cat #: 73H94 Model/Part #: LB-52434C	2	"LEFT FRONT,RIGHT REAR"
22	SHIELD-DRIP Cat #: 16J40 Model/Part #: LB-58258C	2	"LEFT FRONT,RIGHT REAR(460V)"
26	SUPPORT-COIL Cat #: LB-52435C Model/Part #: LB-52435C	2	FRONT & REAR
TB1	BLOCK-TERMINAL Cat #: 42F50 Model/Part #: 42F5001	1	LOCATED-CAB CAP

**Note:**

Note1: IF LB-34792BC CHECK VALVE KIT WAS USED ORDER 15B4201 EXPANSION VALVE.

Note2: IF LB-34792BB CHECK VALVE KIT WAS USED ORDER 62A4901 EXPANSION VALVE.