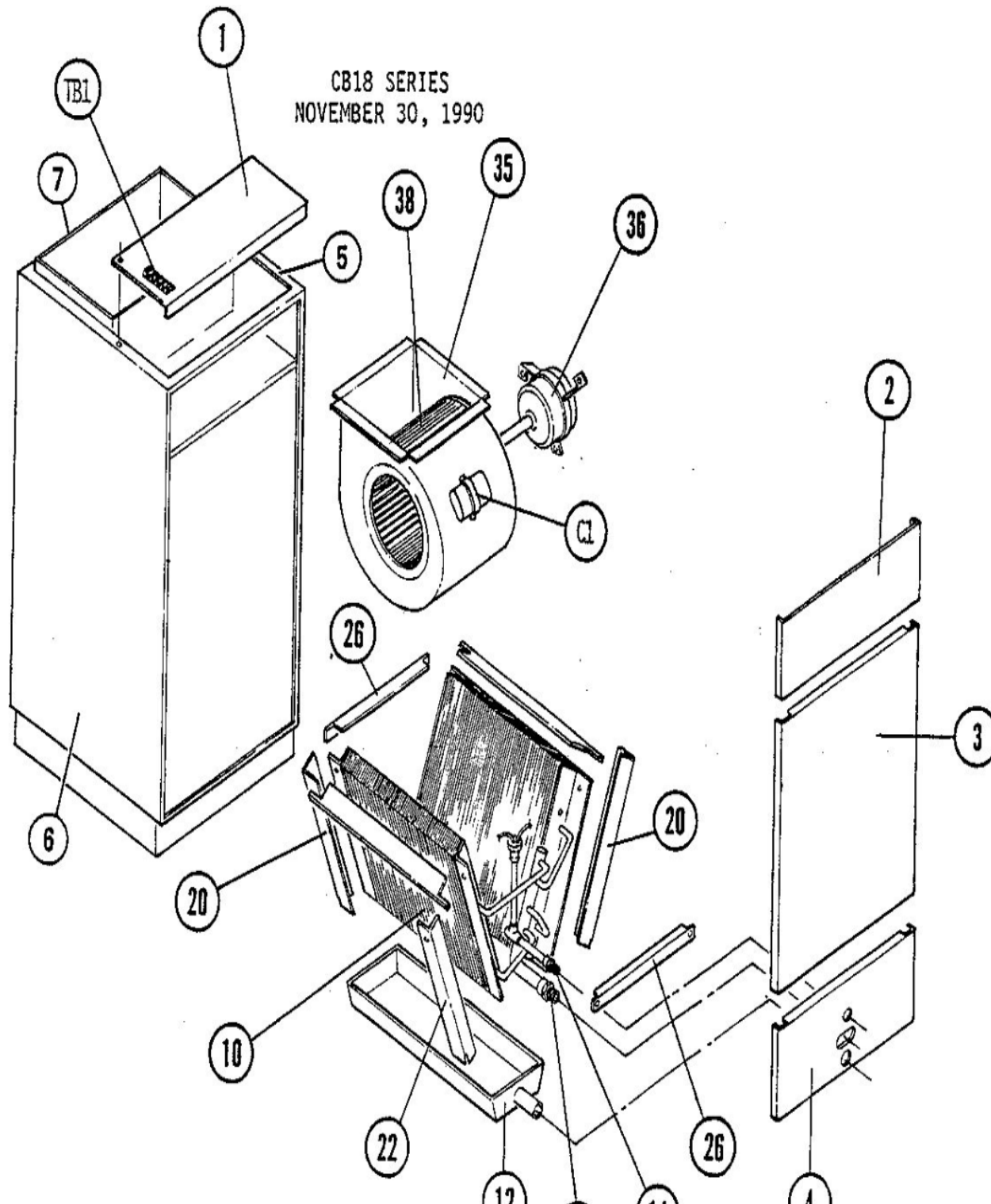


CB18 SERIES  
NOVEMBER 30, 1990



Revision Number - 2

## \*OPTIONAL PARTS-FIELD INSTALLED

Callout	Name	Quantity	Description
	VALVE-EXPANSION Cat #: 25G81 Model/Part #: 25G8101	1	VALVE EXP/CK

## BLOWER PARTS

Callout	Name	Quantity	Description
	PLATE-CUTOFF Cat #: 77H80 Model/Part #: LB-44707D	1	CUTOFF PLATE
35	HOUSING-BLOWER Cat #: 39G00 Model/Part #: LB-51184CA	1	HOUSING-BLOWER
36	MOTOR-BLOWER Cat #: 42F49 Model/Part #: 42F4901	1	"1/6HP,1075RPM,208-230/60/1, W/MOUNTS"
36	MOTOR-BLOWER Cat #: 72F57 Model/Part #: 72F5701	1	"1/3HP,1350RPM,220-240/50/1, W/MOUNTS (I
38	WHEEL-BLOWER 9 X 7 X1/2 Cat #: 32624 Model/Part #: P-5-172	1	"9-1/2""X 7-1/8"",1/2""BORE"
C1	CAPACITOR-FAN MTR Cat #: 53H02 Model/Part #: 81A3801	1	"5MFD,370VAC"
C1	CAPACITOR Cat #: 81A39 Model/Part #: 81A3901	1	"7MFD,370VAC (INTL ONLY)"

## CABINET PARTS

Callout	Name	Quantity	Description
	FILTER-AIR"16"" X 20"" X 3/4"",SLAB" Cat #: Model/Part #:	1	
1	CAP-CABINET Cat #: 63G95 Model/Part #: LB-51199C	1	CAP.CABINET

Callout	Name	Quantity	Description
3	PANEL Cat #: 63G94 Model/Part #: LB-51192CB	1	BLOWER
4	PANEL Cat #: 97G17 Model/Part #: LB-51190CA	1	PLUMBING
5	WRAPPER Cat #: 10H99 Model/Part #: LB-51173CA	1	RIGHT SIDE
6	WRAPPER Cat #: 70G08 Model/Part #: LB-51174CA	1	LEFT SIDE
7	PANEL Cat #: 11H00 Model/Part #: LB-51176CA	1	REAR

## COOLING PARTS

Callout	Name	Quantity	Description
	TRANSFORMER Cat #: 25G37 Model/Part #: 25G3701	1	"(T1),230VPRI,24VSEC,45VA, NO FUSE"
	FITTING PRESS TAP Cat #: 86G64 Model/Part #: 86G6401	1	FITTING, PRESSURE TAP
	FUSE Cat #: 99C09 Model/Part #: 99C0901	1	"TRANSFORMER,3.15AMP,250V, TYPE GMA, (IN
	TRANSFORMER Cat #: 99C10 Model/Part #: 99C1001	1	"(T1),240VPRI,24VSEC,60VA, NO FUSE (INTL
	HOLDER-FUSE Cat #: 99C32 Model/Part #: 99C3201	1	(INTL ONLY)
	SEAL-COIL Cat #: LB-51177C Model/Part #: LB-51177C	2	TOP
	DISTRIBUTOR ASSY Cat #: 15J95 Model/Part #: LB-78882A	1	(INTL UNITS ONLY)

Callout	Name	Quantity	Description
	DISTRIBUTOR ASSY Cat #: 15J96 Model/Part #: LB-78882B	1	DIST ASSY
	RELAY Cat #: 66C67 Model/Part #: P-8-10283	1	"(K1),INDOOR BLOWER,DPDT, 24V"
	CAP-SEAL Cat #: 58114 Model/Part #: P-8-3187	1	CAP, BRASS
	BLOCK-TERMINAL Cat #: 38674 Model/Part #: P-8-9957	1	"(TB2),LOCATED-BLOWER DECK"
10	COIL-INDOOR Cat #: 63H48 Model/Part #: LB-65183A	1	W/MANIFOLD(INTL ONLY)
10	COIL-INDOOR Cat #: 63H49 Model/Part #: LB-65183B	1	W/MANIFOLD
12	PAN-DRAIN Cat #: 46G79 Model/Part #: LB-51283CD	1	W/INSULATION
14	ADAPTER Cat #: 59351 Model/Part #: P-8-2510	1	"LIQUID LINE,3/8""F TO 3/8""S"
16	ADAPTER Cat #: 59352 Model/Part #: P-8-2690	1	"5/8""F TO 5/8""S"
20	SHIELD-DRIP Cat #: 19J36 Model/Part #: LB-51178C	2	"RIGHT FRONT,LEFT REAR"
22	SHIELD-DRIP Cat #: 19J37 Model/Part #: LB-51179C	2	"LEFT FRONT,RIGHT REAR"
26	SUPPORT-COIL Cat #: LB-51181D Model/Part #: LB-51181D	2	FRONT & REAR

<b>Callout</b>	<b>Name</b>	<b>Quantity</b>	<b>Description</b>
TB1	BLOCK-TERMINAL Cat #: 42F50 Model/Part #: 42F5001	1	LOCATED-CAB CAP

**Note:**

Note1: IF LB-34792BA CHECK VALVE KIT WAS USED ORDER 62A3701 EXPANSION VALVE.

Note2: DASH 4 UNITS ONLY 1000 PRODUCED PER ED-19153.