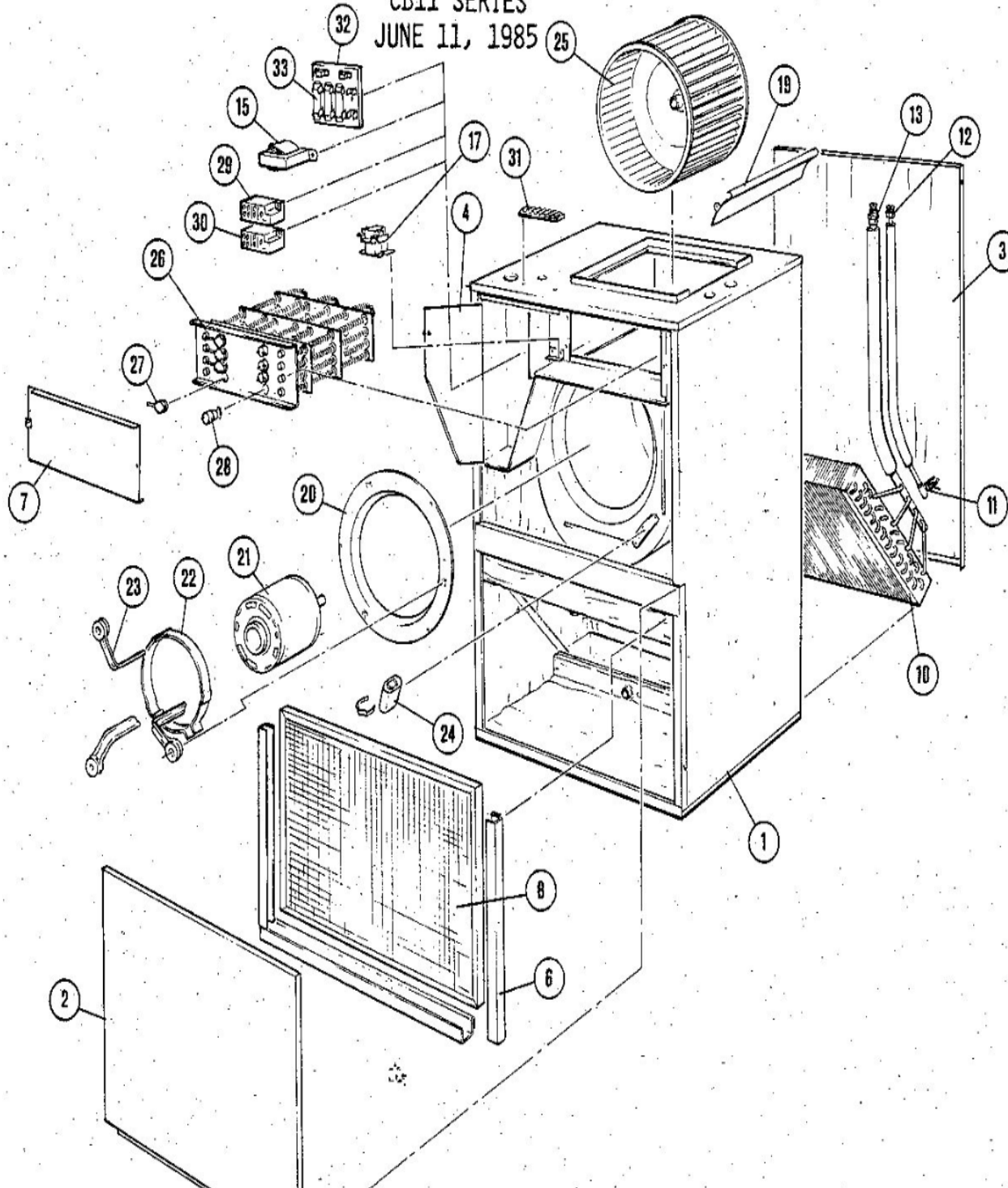


CB11 SERIES
JUNE 11, 1985



Revision Number - 5

BLOWER PARTS

Callout	Name	Quantity	Description
	HOUSING-BLOWER Cat #: LB-28160AA Model/Part #: LB-28160AA	1	WELDED TO BLOWER DECK
19	PLATE-CUTOFF Cat #: 35A42 Model/Part #: LB-28347D	1	(FOR UNITS WITH ELEC HEAT)
20	RING-ORIFICE Cat #: 46A18 Model/Part #: LB-28040D	1	RING-ORIFICE
21	MOTOR-BLOWER Cat #: 32803 Model/Part #: 35A9001	1	"1/4HP,1075RPM,208-230/60/1"
22	BAND-MOTOR Cat #: 32866 Model/Part #: P-8-9501	1	BAND-MOTOR MTG
23	ARM-MOTOR MTG Cat #: 37A34 Model/Part #: 37A3401	3	ARM-MOTOR MTG
24	CAPACITOR Cat #: 53H02 Model/Part #: P-8-1379	1	"5MFD,370VAC"
25	WHEEL-BLOWER Cat #: 35A9101 Model/Part #: 35A9101	1	"1/2""BORE,10-5/8"" X 4-1/2""

CABINET PARTS

Callout	Name	Quantity	Description
	BASE Cat #: 35C10 Model/Part #: LB-28103BA	1	BASE ASSY
	HINGE Cat #: LB-28153D Model/Part #: LB-28153D	1	HINGE
	PANEL Cat #: LB-28167BB Model/Part #: LB-28167BB	1	LEFT SIDE
1	PANEL Cat #: LB-28167BA Model/Part #: LB-28167BA	1	RIGHT SIDE
2	PANEL	1	BLOWER ACCESS

Callout	Name	Quantity	Description
	Cat #: LB-28146BA Model/Part #: LB-28146BA		
3	PANEL Cat #: LB-28143BA Model/Part #: LB-28143BA	1	REAR ACCESS
4	COVER-CONTROL BOX Cat #: LB-28148C Model/Part #: LB-28148C	1	COVER-CONTROL BOX
6	RACK-FILTER Cat #: 46A13 Model/Part #: LB-28013C	3	RACK-FLTR
7	COVER Cat #: 46A20 Model/Part #: LB-28108CA	1	ELEMENT
8	FILTER-AIR Cat #: 30345 Model/Part #: P-8-7816	1	"12" X 22" X 1", WASHABLE"

CONTROL PANEL PARTS

Callout	Name	Quantity	Description
	BRACKET Cat #: 46A14 Model/Part #: LB-28018D	1	BLO RELAY(EXCLUDING 26-511)
	STRAIN RELIEF Cat #: 85236 Model/Part #: P-8-4931	1	FITTING-STRAIN REL.
	FITTING Cat #: 59783 Model/Part #: P-8-4933	1	(FOR UNITS LESS ELEC HEAT)
	CLIP Cat #: P-8-5720 Model/Part #: P-8-5720	1	SECURING(FOR UNITS LESS ELEC HEAT)
	BLOCK-TERMINAL Cat #: 38674 Model/Part #: P-8-9957	1	(EXCLUDING 26-511)
15	TRANSFORMER Cat #: 59539 Model/Part #: P-8-5744	1	"230V PRI, 24V SEC, 30VA, NO FUSE"
17	RELAY Cat #: 38276 Model/Part #: P-8-8479	1	"BLOWER-SPDT, 24V(FOR UNITS LESS ELEC HEA

COOLING PARTS

Callout	Name	Quantity	Description
	PAN-DRAIN Cat #: 46A21 Model/Part #: LB-28125BA	1	VERTICAL
	PAN-DRAIN Cat #: 46A22 Model/Part #: LB-28128BA	1	HORIZONTAL
10	COIL-INDOOR Cat #: 42A93 Model/Part #: LB-28132C	1	L/MANIFOLD
11	DISTRIBUTOR Cat #: 40A76 Model/Part #: P-8-10368	1	L/TUBES
12	ADAPTER Cat #: 59351 Model/Part #: P-8-2510	1	ADAPTOR
13	ADAPTER Cat #: 59352 Model/Part #: P-8-2690	1	ADAPTER-BRASS

ELECTRIC HEATING PARTS

Callout	Name	Quantity	Description
	WIRE-ELEMENT Cat #: 82A41 Model/Part #: 37A4001	1	"2.5KW,240V(FOOTNOTE 5)"
	WIRE-ELEMENT Cat #: 82A53 Model/Part #: 37A4101	1	"5KW,240V"
26	ELEMENT-ELEC Cat #: 82A53 Model/Part #: LB-28180A	1	CB11-26-171
26	ELEMENT-ELEC Cat #: LB-28181A Model/Part #: LB-28181A	1	CB11-26-261
26	ELEMENT-ELEC Cat #: 47A37 Model/Part #: LB-28182A	1	CB11-26-341
27	CONTROL-LIMIT Cat #: 38A73 Model/Part #: 38A7301	2	"SPST,OUT 160,IN 125"
28	FUSE THERMAL Cat #: 87107 Model/Part #: P-8-10422	2	FUSE-THERMAL

Callout	Name	Quantity	Description
29	RELAY Cat #: 87163 Model/Part #: P-8-10414	1	"HEAT-SP,N.O.,24V"
29	RELAY Cat #: 38760 Model/Part #: P-8-10415	1	"HEAT-2 SP,N.O.,24V"
31	BLOCK-TERMINAL Cat #: 66520 Model/Part #: P-8-163	1	STRIP-TERMINAL

Note:

Note1: THIS PART MUST BE PLACED LAST IN SEQUENCE, FARTHEST DOWNSTREAM FROM BLOWER. Note2: WHEN 35A3001 (ROBERTSHAW) IS N.A., ORDER LB-53619CC RELAY REPLACEMENT KIT. ONCE THE REPLACEMENT KIT HAS BEEN APPLIED, 69C9901 (THERMODISC) RELAY IS THE CORRECT REPAIR PART. Note3: WHEN 35A3101 (ROBERTSHAW) IS N.A., ORDER LB-53619CC RELAY REPLACEMENT KIT. ONCE THE REPLACEMENT KIT HAS BEEN APPLIED, 69C9901 (THERMODISC) RELAY IS THE CORRECT REPAIR PART. Note4: WHEN 35A2901 (ROBERTSHAW) IS N.A., ORDER LB-53619CB RELAY REPLACEMENT KIT. ONCE THE REPLACEMENT KIT HAS BEEN APPLIED, 58C9901 (THERMODISC) RELAY IS THE CORRECT REPAIR PART. Note5: WHEN 35A3001 (ROBERTSHAW) IS N.A., ORDER LB-53619CA RELAY REPLACEMENT KIT. ONCE THE REPLACEMENT KIT HAS BEEN APPLIED, 58C9701 (THERMODISC) RELAY IS THE CORRECT REPAIR PART.