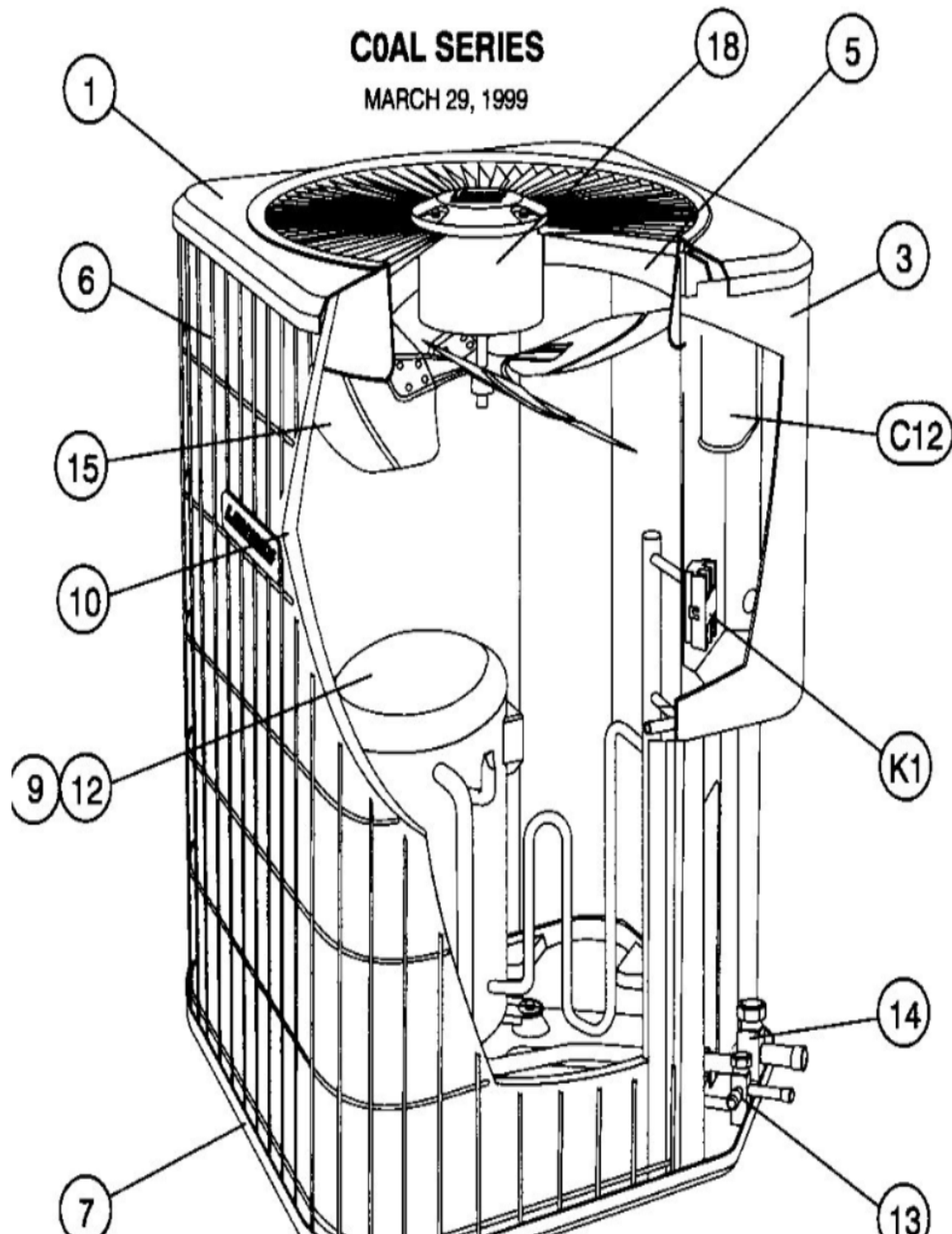


# COAL SERIES

MARCH 29, 1999



Revision Number - 1

## \*OPTIONAL PARTS-FIELD INSTALLED

Callout	Name	Quantity	Description
	CAPACITOR-START Cat #: 44A93 Model/Part #: 44A9301	1	"145-175MFD,330VAC"
	VALVE-SADDLE Cat #: 65G91 Model/Part #: 65G9101	1	"3/8""
	SWITCH-HI PRESS Cat #: 86H31 Model/Part #: 86H3101	1	OUT 410+10PSIG
	SWITCH-LO PRESS Cat #: 87265 Model/Part #: P-8-10978	1	"IN 55+5PSIG,OUT 25+5 PSIG"
	RELAY-POTENTIAL Cat #: 58327 Model/Part #: P-8-3577	1	SPNC
KIT 1	LOSS OF CHARGE KIT Cat #: 94J47 Model/Part #: LB-87620A	1	INC NEXT 2 PARTS
KIT 2	HI PRESS CUTOUT KIT Cat #: 94J46 Model/Part #: LB-87619A	1	INC NEXT 2 PARTS
KIT 3	START KIT Cat #: 66K92 Model/Part #: LB-31200BAD	1	INC NEXT 2 PARTS

## CABINET PARTS

Callout	Name	Quantity	Description
	NUT-CAP Cat #: 68J41 Model/Part #: 68J4101	4	TOP PANEL
1	PANEL-TOP Cat #: 21M99 Model/Part #: LB-94373L	1	TOP PANEL (BEIGE)
3	COVER-CONTROL BOX Cat #: 35K34 Model/Part #: LB-86271L	1	COVER-CONTROL PANEL (BEIGE)
6	GUARD-COIL Cat #: 39L5001 Model/Part #: 39L5001	1	OUTDOOR
7	LEG	1	BASE(SET OF 4)

Callout	Name	Quantity	Description
	Cat #: 94J45 Model/Part #: LB-87156A		
9	COVER Cat #: 53J39 Model/Part #: 53J3901	1	SOUND-COMPRESSOR

## CONTROL PANEL PARTS

Callout	Name	Quantity	Description
C12	CAPACITOR-FAN&RUN Cat #: 63K87 Model/Part #: 63K8701	1	"45+5MFD,370VAC"
K1	CONTACTOR Cat #: 65C69 Model/Part #: 65C6901	1	"SPST,24V"

## COOLING PARTS

Callout	Name	Quantity	Description
	RELAY-OVERLOADCOMP-INTERNAL Cat #: Model/Part #:	1	
	DRIER Cat #: 12L71 Model/Part #: 12L7101	1	LIQUID LINE(OPT REPLACEMENT)
	DRIER Cat #: 58A64 Model/Part #: 58A6401	1	SUCTION LINE(OPT REPLACEMENT)
	KIT-COMPR MTG Cat #: 87F70 Model/Part #: 87F7001PR	1	MOUNT PKG-COMP
10	COIL-OUTDOOR Cat #: 73L68 Model/Part #: LB-87170BJ	1	W/MANIFOLD
12	COMPRESSOR Cat #: 63K69 Model/Part #: 63K6901	1	"2TON,208-230/60/1,TEC"
13	VALVE-SERVICE Cat #: 68J10 Model/Part #: 68J1001	1	"LIQUID LINE,3/8""
14	VALVE-SERVICE Cat #: 68J12 Model/Part #: 68J1201	1	"SUCTION LINE,3/4""
15	FAN Cat #: 37L49 Model/Part #: 37L4901	1	"1/2""BORE,18""DIA,3 BLADE"

<b>Callout</b>	<b>Name</b>	<b>Quantity</b>	<b>Description</b>
18	MOTOR-FAN Cat #: 68J97 Model/Part #: 68J9701	1	"1/6HP,1075RPM,208-230/60/1"

**Note:**

There are no technical notes for this product.