



Supplemental Instructions Service Parts MPO-IQ™ 3-Pass Oil Boiler

These instructions supplement information contained in *Installation, Operating and Service Instructions for MPO-IQ™ Oil Boiler*, Part Number 103859-10. Follow Supplemental Instructions and details outlined below until directed otherwise.

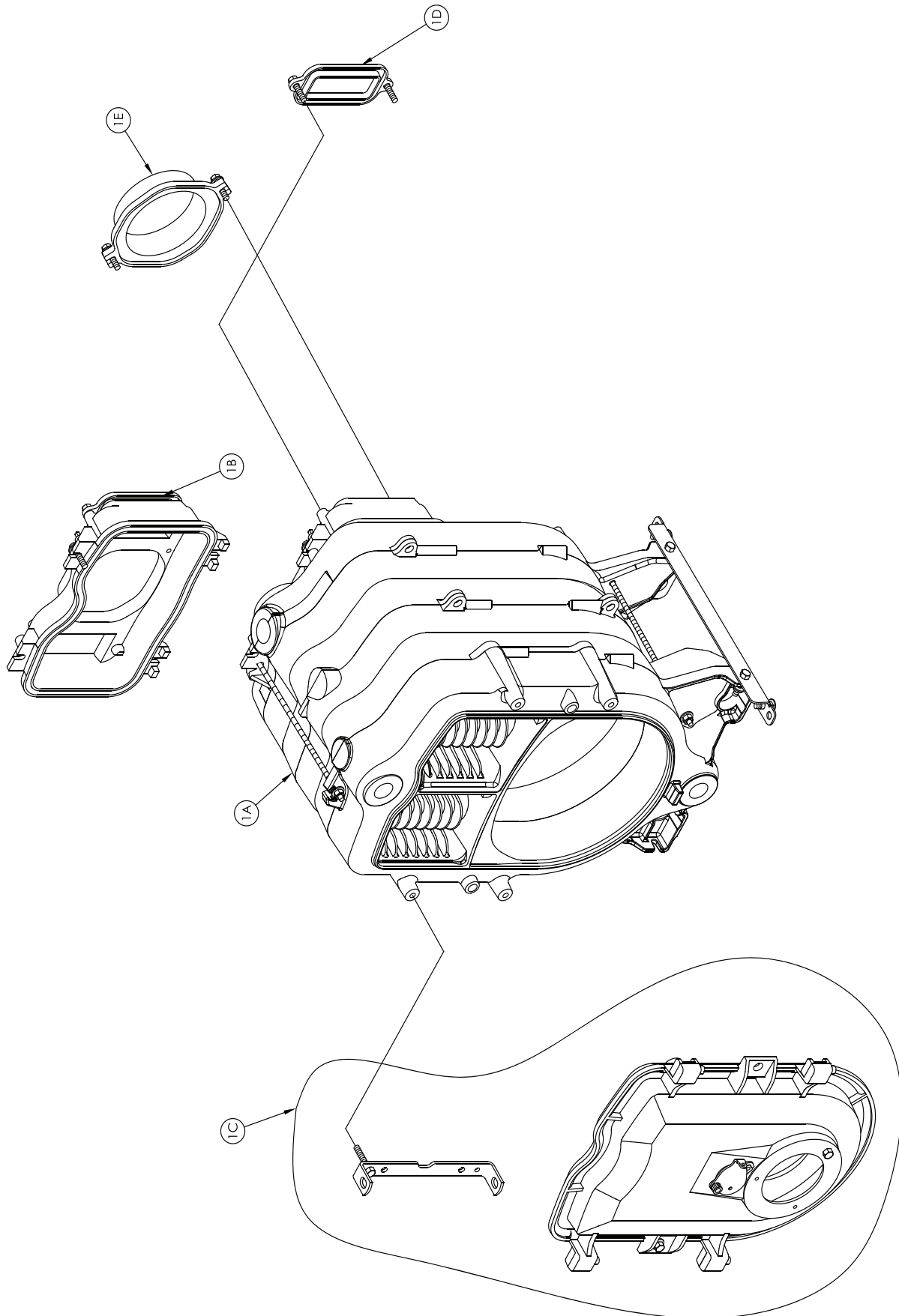
WARNING

Prior to attempting any service on this boiler, read, understand and follow all instructions as outlined in this supplement and also the Installation, Operating and Service Instructions which was provided with the boiler.

13 Service Parts

All MPO-IQ™ Boiler Service Parts may be obtained through your local U.S. Boiler Company Wholesale distributor. Should you require assistance in locating a U.S. Boiler Company Distributor in your area, or have questions regarding the availability of U.S. Boiler Company products or service parts, please contact U.S. Boiler Company Customer Service at (717) 481-8400 or Fax (717) 481-8408.

13 Service Parts *(continued)*



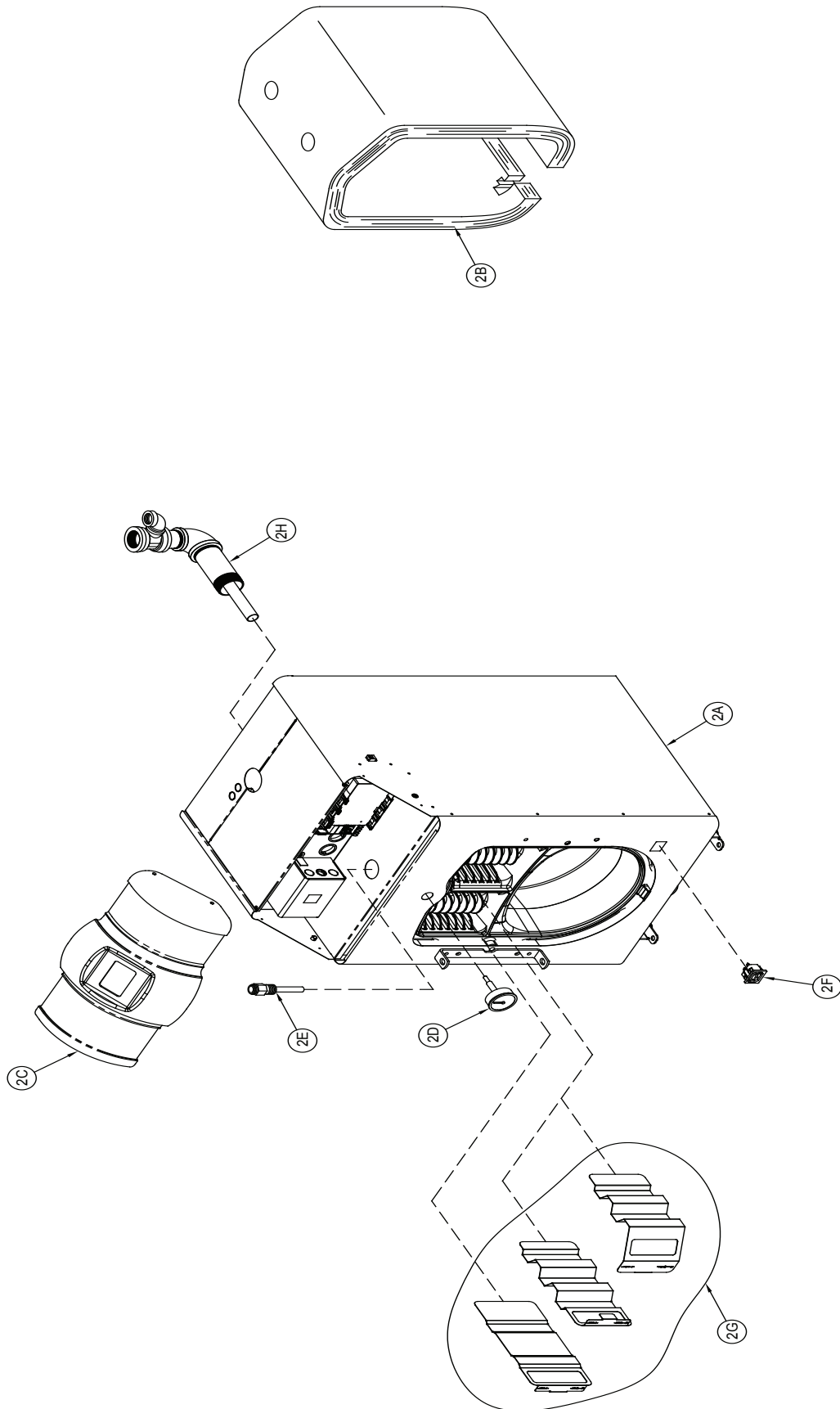
Bare Boiler Assembly

13 Service Parts *(continued)*

MPO-IQ Bare Boiler Assembly

Item No.	Description	Part Number	MPO-IQ84	MPO-IQ115	MPO-IQ147	MPO-IQ189	MPO-IQ231
1A	Block Assembly Includes: Block Assembly and Smoke Box	109554-02	1	1			
		109554-03			1		
		109554-04				1	
		109554-05					1
1B	Smoke Box Includes: Sealant, and Hardware	109555-01	1	1	1	1	1
1C	Burner Swing Door Assembly Includes: Hinge and Hardware	109556-01	1	1	1	1	
		109557-01					1
1D	Cleanout Cover Assembly Includes: Hardware	109563-01	2	2	2	2	2
1E	Flue Collar Includes: Harware	109567-01	1	1			
		109568-01			1	1	
		109569-01					1

13 Service Parts *(continued)*



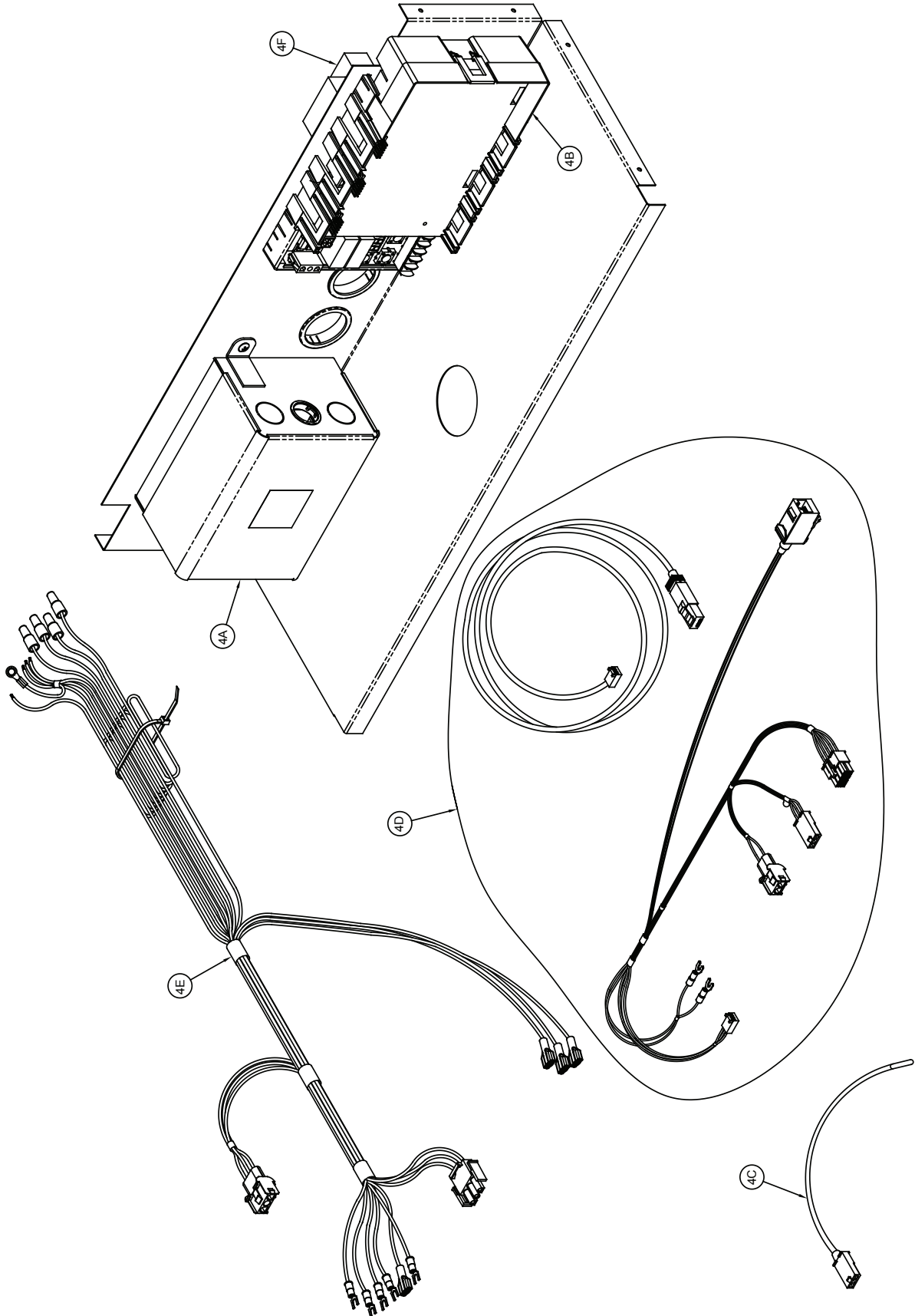
MPO-IQ Water Boilers - Trim

13 Service Parts *(continued)*

MPO-IQ Water Trim

Item No	Description	Part Number	MPO-IQ84	MPO-IQ115	MPO-IQ147	MPO-IQ189	MPO-IQ231	
2A	Complete Jacket Carton Includes: Labels and Hardware	103069-02	1	1				
		103069-03			1			
		103069-04				1		
		103069-05					1	
2B	Wrap Around Insulation	109553-02	1	1				
		109553-03			1			
		109553-04				1		
		109553-05					1	
2C	Plastic Cover	109643-01	1	1	1	1	1	
2D	Temperature & Pressure Gauge	105894-01	1	1	1	1	1	
2E	Immersion Well	109644-01	1	1	1	1	1	
2F	Burner Receptacle	109570-01	1	1	1	1	1	
2G	Baffle Kit	109559-01	1					
		109561-01		1				
		109558-01			1	1	1	
2H	Injector Kit	102827-01	1	1	1	1	1	
Not Shown	Relief Valve, Conbraco, 3/4" FIP x 3/4" FIP	#10-408-05 30PSI	Obtain Locally	1	1	1	1	1
		#10-303-07 40 PSI						
		#10-303-10 50 PSI						
	5" Draft Regulator	1		1				
	6" Draft Regulator				1	1		
	7" Draft Regulator						1	
	Drain Valve, 3/4" NPT	1		1	1	1	1	
	Circulator Flange 1/2" NPT	2		2	2	2	2	
	Circulator Gasket	Taco #194-1548		2	2	2	2	2
		Grundfos						
Circulator	Taco 007e	1	1	1	1	1		
	Grundfos Alpha2							

13 Service Parts *(continued)*



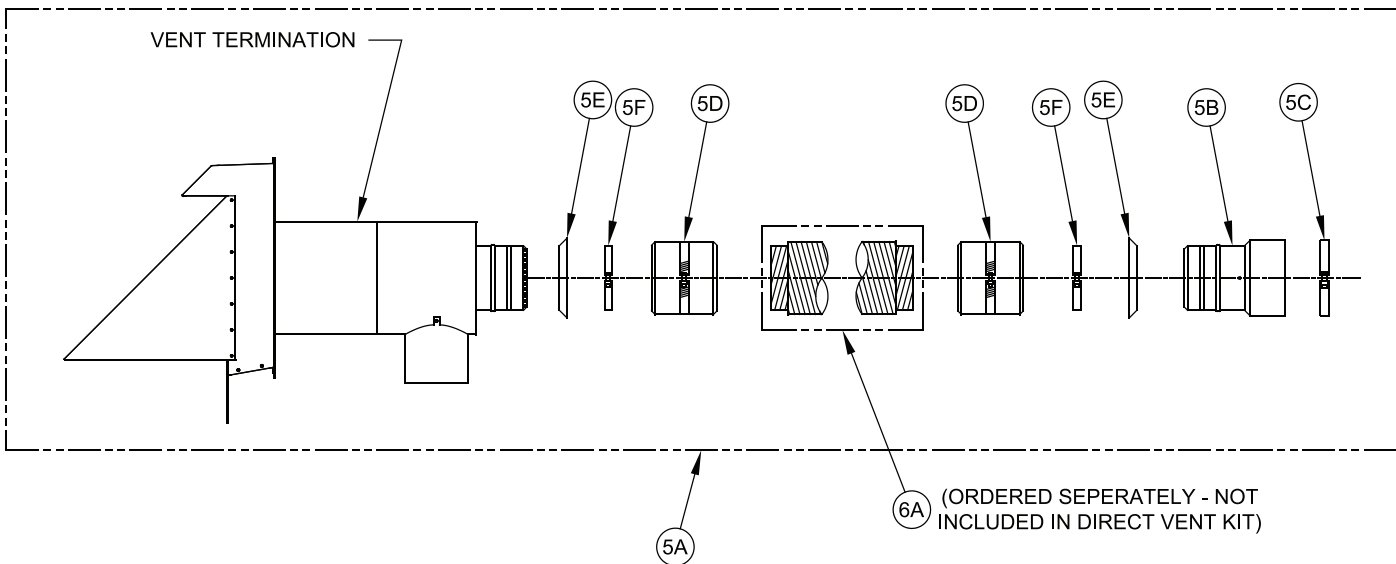
13 Service Parts *(continued)*

MPO-IQ Controls

Item No.	Description	Part Number	MPO-IQ84	MPO-IQ115	MPO-IQ147	MPO-IQ189	MPO-IQ231
4A	Boiler Control	109646-01	1	1	1	1	1
4B	Option Control Panel	109647-01	1	1	1	1	1
4C	Limit Sensor	109645-01	1	1	1	1	1
4D	Low Voltage Harness/ ECOM Harness	109643-01	1	1	1	1	1
4E	Line Voltage Harness	109649-01	1	1	1	1	1
4F	Transformer	106034-01	1	1	1	1	1

13 Service Parts *(continued)*

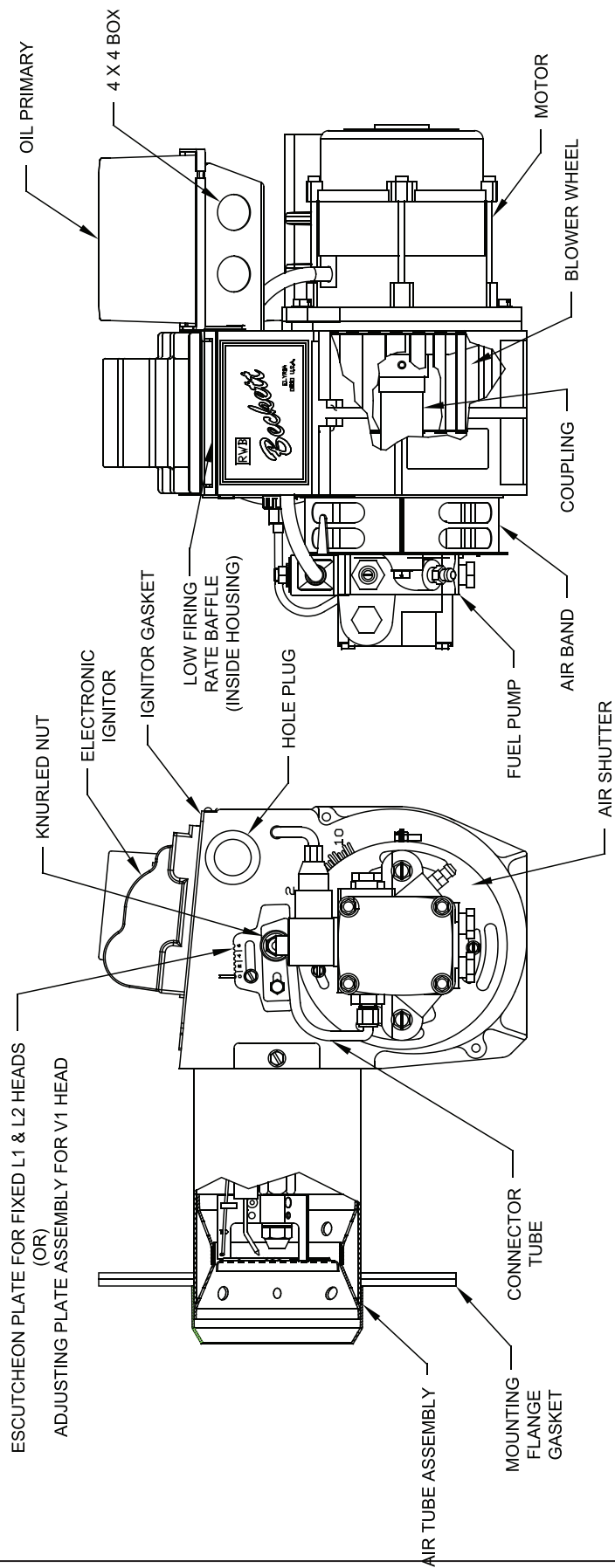
Item No.	Description	Part No.	MPO-IQ147	MPO-IQ189	MPO-IQ231
5. DIRECT VENT KITS AND PARTS					
5A	Direct Vent Conversion Kit, 5-6	102130-02	1	1	---
	Direct Vent Conversion Kit, 6-7	102130-03	---	---	1
5B	Appliance Adapter, FDVS, 5-6	100234-02	1	1	---
	Appliance Adapter, FDVS, 6-7	100234-03	---	---	1
5C	6" Appliance Clamp, FDVS-6, Half	100235-02	2	2	---
	7" Appliance Clamp, FDVS-7, Half	100235-03	---	---	2
5D	Cover Sleeve Assembly, FDVS-5	100236-02	2	2	---
	Cover Sleeve Assembly, FDVS-6	100236-03	---	---	2
5E	Cover Ring Assembly, FDVS-5	100237-02	2	2	---
	Cover Ring Assembly, FDVS-6	100237-03	---	---	2
5F	Inner Pipe Clamp, FDVS-5, Half	100238-02	4	4	---
	Inner Pipe Clamp, FDVS-6, Half	100238-03	---	---	4
6. FLEX OIL VENT PIPE					
	5" Dia. x 10 ft. FOVP-510	100212-02	1	1	---
	5" Dia. x 20 ft. FOVP-520	100214-02			
	6" Dia. x 10 ft. FOVP-610	100212-03	---	---	1
	6" Dia. x 20 ft. FOVP-620	100214-03			



13 Service Parts *(continued)*

Item No	Description		Part Number	MPO-IQ84	MPO-IQ115	MPO-IQ147	MPO-IQ189	MPO-IQ231	
Not Shown	Beckett	Natural Draft	105406-02	1					
			104507-02		1				
			104508-03			1			
			104509-04				1		
			104510-05					1	
		Direct Vent	103896-03			1			
			109897-04				1		
			103898-05					1	
		Carlin	Natural Draft	102276-01	1				
				102276-02		1			
	102276-03					1			
	102276-04						1		
	102276-05							1	
	Riello	Natural Draft	103143-01	1					
			103143-02		1				
			100831-01			1			
			101762-01				1		
			101763-01					1	
	Primary Control	Honeywell R7284P1080	103880-01	1	1	1	1	1	
		Carlin	Obtain Locally	1	1	1	1	1	
		Riello		1	1	1	1	1	

13 Service Parts *(continued)*



FRONT VIEW

SIDE VIEW

NOZZLE DETAIL

Beckett AFG Burner

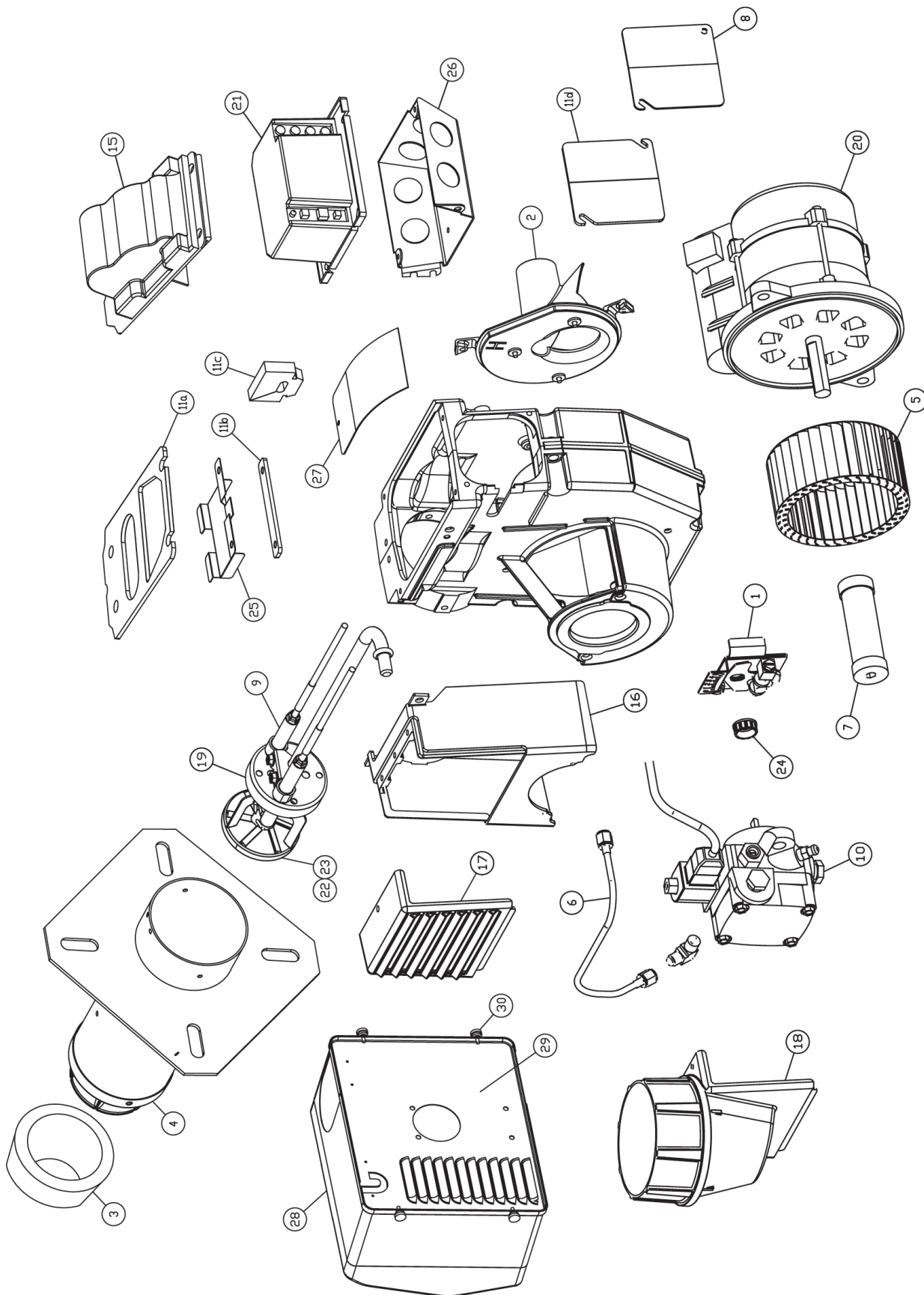
13 Service Parts *(continued)*

BECKETT AFG OIL BURNER PART NOS. FOR MPO-IQ SERIES BOILERS NATURAL DRAFT APPLICATIONS

NOTE: When ordering parts always give the serial and model numbers shown on the boiler and burner. Also provide the name of the part(s) and part number as listed below.

Boiler Model	MPO-IQ84	MPO-IQ115	MPO-IQ147	MPO-IQ189	MPO-IQ231
Air Tube Combination	AFG70MQASN	AFG70MPASN	AFG70MMAQN	AFG70MLASN	AFG70MKASN
Beckett's Spec. No.	BCB9502	BCB9503	BCB9504	BCB9505	BCB9506
Air Band	31840	31840	3492	3492	3492
Air Band Nut	4150	4150	4150	4150	4150
Air Band Screw	4198	4198	4198	4198	4198
Air Shutter	3709	3709	3709	3709	3709
Air Shutter Screw	4198	4198	4198	4198	4198
Blower Wheel	2999	2999	2999	2999	2999
Coupling	2454	2454	2454	2454	2454
Low Firing Rate Baffle	3708	---	---	---	---
Bulkhead Knurled Locknut	3666	3666	3666	3666	3666
Connector Tube Assembly	5636	5636	5636	5636	5636
Electrode Clamp	149	149	149	149	149
Electrode Clamp Screw	4219	4219	4219	4219	4219
Electrode Insulator Assembly	5780	5780	5780	5780	5780
Spider Spacer Assembly	5503	5503	5503	5503	5503
Escutcheon Plate	3493	3493	3493	5941	5941
Adjusting Plate Assembly	---	---	---	5941	5941
Head	51895	51895	5912	5913G	5913G
Head Screws	4221	4221	4221	4221	4221
Flange Gasket	32388	32388	32388	32388	32388
AFG Housing	5874	5874	5874	5874	5874
Motor	21805	21805	21805	21805	21805
Nozzle Adapter	213	213	213	213	213
Nozzle Line Electrode Assembly	NL70MB	NL70MB	NL70MM	NL70MD	NL70MD
Oil Pump, Clean Cut (Single Stage)	2184404U	2184404U	2184404U	2184404U	2184404U
Oil Pump, Clean Cut (Two-Stage)	51975U	51975U	51975U	51975U	51975U
Static Plate	3384	3383	3384	---	31905P
Ignitor	51771U	51771U	51771U	51771U	51771U
Ignitor Hinge Screw	4217	4217	4217	4217	4217
Ignitor Holding Screw	4292	4292	4292	4292	4292
Ignitor Gasket Kit	51304	51304	51304	51304	51304
Wire Guard	10251	10251	10251	10251	10251
Junction Box	5770	5770	5770	5770	5770
Flame Detector	7006	7006	7006	7006	7006
Oil Solenoid Valve Coil	21775U	21775U	21775U	21775U	21775U
Oil Solenoid Valve Cord	21807	21807	21807	21807	21807

13 Service Parts *(continued)*



Beckett NX Burner

13 Service Parts *(continued)*

BECKETT NX OIL BURNER PART NOS. FOR MPO-IQ SERIES BOILERS DIRECT VENT APPLICATIONS

NOTE: When ordering parts always give the serial and model numbers shown on the boiler and burner. Also provide the name of the part(s) and part number as listed below.

Item No.	Part Description	MPO-IQ147	MPO-IQ189	MPO-IQ231
		Beckett Part Numbers		
	Complete Oil Burner (without Primary Control)	BCB9403	BCB9404	BCB9405
1	Air Adjustment Mechanism Assembly	51794U		
2	Air Guide	101101U		
3	Heat Shield (where used/optional)	Specify		
4	Air Tube Combination	NX70LB	NX90LD	
	Air Tube Mounting Screws #8 x 3/8"	4396		
5	Blower Wheel	29994U		
6	Connector Tube Assembly, 11"	51127		
7	Coupling	2454		
8	Rear Access Door	32119U		
9	Electrodes Insulator Kit	51811U		
10	Fuel Unit, Single Stage, A2EA6520N621L	2184404U		
	Fuel Unit, Two Stage	51975U		
	Mounting Screws 1/4 -20 x 7/8"	4189		
11a	Gasket, Igniter Baseplate	51942U		
11b	Gasket, Igniter Baseplate Hinge			
11c	Gasket, Wiring			
11d	Gasket, Rear Access Door			
15	Igniter, Electronic	51771U		
16	Inlet Air Box	1010U		
18	Inlet Air Adapter, Outside Air Kit	1014U		
19	Nozzle Line Electrode and Head Assembly	Specify		
20	Motor	21805U		
	Mounting Screws 1/4 -20 x 7/8"	4189		
21	Oil Primary (Safety Control)	Specify		
22	Retention Head Assembly - 6 Slot	51785U		
23	Retention Head Assembly - 9 Slot	51815U		
24	Splined Nut	3666		
25	Spring, Igniter Prop	32058PU		
26	Wiring Box	5770		
27	Low Firing Rate Baffle (If applicable)	32229U		
28	Cover, Burner	51812U		
29	Mounting Plate, Burner Cover	32103U		
30	Thumbscrews, Cover Mounting	21899U		
Not Shown	Gasket, Flange	32087		
	Main Housing Assembly	51783		
	Nozzle Line Heater (If applicable)	51621		

13 Service Parts *(continued)*

RIELLO OIL BURNER PART NUMBERS FOR MPO-IQ SERIES BOILERS

NOTE: When ordering parts always give the serial and model numbers shown on the boiler and burner.

Refer to Models F3 & F5 Installation Manual, Riello 40 Series Residential Oil Burners (C6501010) or Model F10 Installation Manual, Riello 40 Series Residential Oil Burners (2902554) for an exploded view of the burner and a list of spare parts.

For replacement Riello oil burner parts, contact your wholesaler or the burner manufacturer:

Riello Corporation of America
35 Pond Park Road
Hingham, Massachusetts 02043
Telephone: (617) 749-8292
Facsimile: (617) 740-2069
Toll Free: (outside Massachusetts)
(800) 992-7637

Riello Canada Inc.
2165 Meadowpine Blvd.
Mississauga, Ontario L5N 6H6
Telephone: (905) 542-0303
Facsimile: (905) 542-1525
Toll Free: (800) 387-3898

CARLIN OIL BURNER PART NUMBERS FOR MPO-IQ SERIES BOILERS

NOTE: When ordering parts always give the serial and model numbers shown on the boiler and burner.

Refer to *Installation and Operating Instructions for Packaged Heating/Burner Units, Carlin Elite EZ-LF and EZ-66 Oil Burners* (Form CCT-569A) for an exploded view of the burner and a list of spare parts.

For replacement Carlin oil burner parts, contact your wholesaler or the burner manufacturer:

CCT, Carlin Combustion Technology, Inc.
126 Bailey Road
North Haven, CT 06473
Telephone: (203) 680-9401