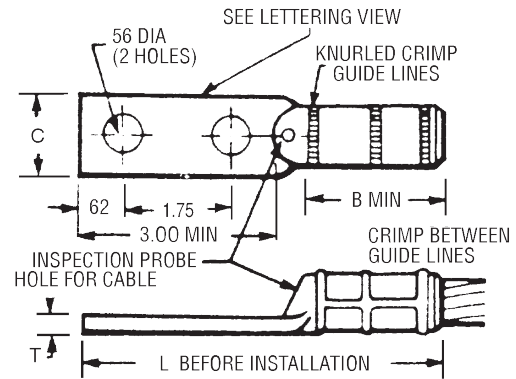


HYLUG™ Type YGHA Heavy Duty Terminal

Heavy duty HYLUG™ irreversible compression terminals designed not only to carry short circuit load, but to also withstand high mechanical stress. Each conductor element has an inspection probe hole to ensure proper cable insertion. UL467 Listed. Acceptable for direct burial in earth or concrete. UL486A Listed. Prefilled with PENETROX™ compound and strip sealed.



IEEE-837*



Catalog Number	Copper Conductor Size	Installation Tools, Die Set Catalog Number and (# of Crimps) 35 Series, 750 Series, 45 Series ①, 46 Series ②	B	C	L	T
YGHA2C-2N	2 AWG	U1CRT1 (1)	0.75	0.97	4.21	0.26
YGHA25-2N	1/0 AWG	U27RT (1)	0.83	0.91	4.60	0.19
YGHA26-2N	2/0 AWG	U28RT (1)	0.83	0.97	4.38	0.26
YGHA27-2N	3/0 AWG	U29RT (1)	1.18	1.08	4.94	0.29
YGHA28-2N	4/0 AWG	U30RT (2)	1.18	1.22	4.94	0.30
YGHA29-2N	250 kcmil	U31RT (2)	1.18	1.28	4.94	0.34
YGHA31-2N*	350 kcmil	U34RT (2)	1.18	1.62	5.00	0.43
YGHA34-2N	500 kcmil	U36RT (3)	1.48	1.72	5.42	0.40

① 45 Series tools require PT6515 adapter to use "U" or "PU" die
 ② 46 Series tools require PUADP1 adapter to use "U" or "PU" die
 * IEEE837 2002 Qualified
 Add -TN suffix for tin plating