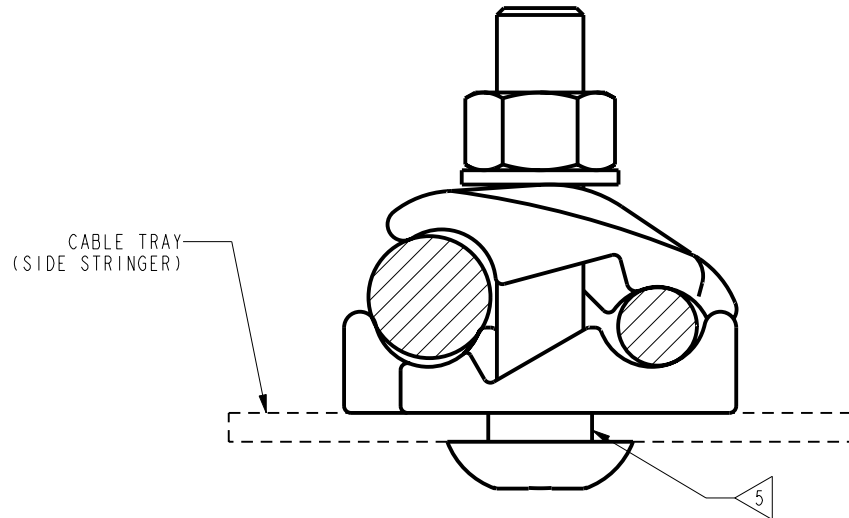


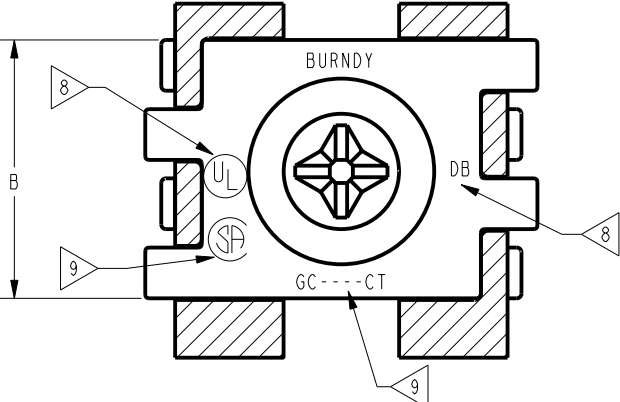
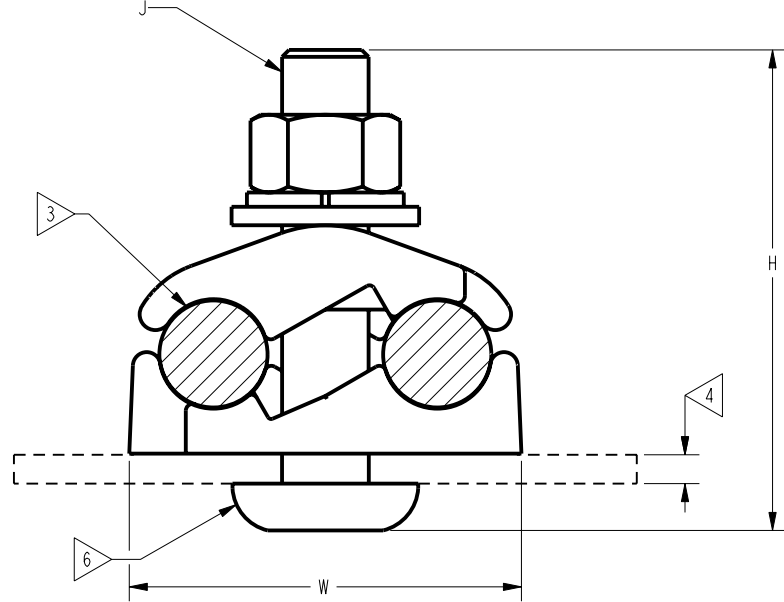
DRAWING NO.
SC082752-01

CAT. NO.	ITEM NO.	CU. OR ALUM. CONDUCTORS ACCOMMODATED		B	NUT CROSS FLATS	H	J	W	RECOMMENDED TRAY NOM. HOLE DIA.	TORQUE LBS./IN [N/m]
		AWG	METRIC WIRE SIZE							
GC2626CT	26405Q	#2 SOL (.258) - 2/0 STR (.438)	35mm ² STR [7.62] 50mm ² STR [9.27]	1.12 [28.5]	.56 [14.2]	1.95 [49.5]	3/8"-16	1.70 [43.2]	.44 [11]	240 [27]
GC2929CT	26406M	#2 SOL (.414) - 250 kcmil (.575)	70mm ² STR [10.9] 120mm ² STR [14.4]			2.09 [53.1]		1.98 [50.3]		
GC2525CT	26417Q	#6 SOL (.162) - 1/0 STR (.372)	16mm ² STR [5.13] 50mm ² STR [9.27]			1.95 [49.5]		1.45 [36.8]		

REV	DATE	DESCRIPTION	ECO	BY	C'H'K.
D	4/25/2011 12:00:00 AM	UPDATED AS PER CP000224 MARKUP	CP000224	MA	BT



VIEW SHOWING MINIMUM AND MAXIMUM CABLE



NOTES:

1. MATERIAL: CAST COPPER ALLOY.
GALVANIZED STEEL (BOLT, NUT & WASHER).
2. FINISH: TIN PLATED.
- CONNECTORS ACCOMMODATE EITHER ONE OR TWO CONDUCTORS IN THE RANGE SPECIFIED. PENETROX™ NOTE: (FOR ALUMINUM CONDUCTORS ONLY) SCRATCH BRUSH CONDUCTOR ONLY THEN APPLY PENETROX™ 'A'. PENETROX™ 'A' CAN BE PURCHASED FROM BURNDY IN CANS OR PLASTIC SQUEEZE BOTTLES.
- ACCOMMODATES WALL THICKNESS OF .125 MAX.
- TO PREVENT ROTATION DURING INSTALLATION, RIBBED NECK BOLT MUST BE DRIVEN INTO A .44 DIA. HOLE FROM INSIDE OF TRAY PRIOR TO INSTALLING CONNECTOR.
- LOW PROFILE BOLT HEAD WITH NO.4 PHILLIPS RECESSED DRIVE MUST BE INSTALLED ON INSIDE WALL TO PREVENT DAMAGE TO CABLE INSULATION.
7. DIMENSIONS IN BRACKETS [] ARE IN MILLIMETERS ROUNDED OFF TO THE NEAREST MILLIMETER, UNLESS OTHERWISE NOTED, AND ARE FOR REFERENCE ONLY.
- UL467 LISTED FOR COPPER CONDUCTOR ONLY, TO BE INSTALLED ON ALUMINUM OR GALVANIZED STEEL CABLE TRAY. FILE NO. E9999, SUITABLE FOR DIRECT BURIAL IN CONCRETE OR EARTH.
- CSA 22.2 NO.41 LISTED FOR COPPER CONDUCTOR ONLY, TO BE INSTALLED ON ALUMINUM OR GALVANIZED STEEL CABLE TRAY.

TO ORDER BURNDY® PRODUCTS CALL
 UNITED STATES:
 1-800-346-4175 (LONDONDERRY, NH)
 CANADA:
 1-800-361-6975 (QUEBEC)
 1-800-387-6487 (ALL OTHER PROVINCES)
 FOR PRODUCT INFO: <http://www.burndy.com>

CABLE TRAY GROUND CLAMP	
ITEM NO:	SEE TABLE
CAT. NO:	GC--CT (SEE TABLE)
DRAWN BY:	R BOISVERT 01/23/06
CHECKER:	--
DSN APPVL:	GZ 02/20/79
MFG APPVL:	N/A
QA APPVL:	A LLOYD 12/03/93
MKT APPVL:	K WOO 12/02/93
SCALE:	2:1
PROD FAM:	--
PROJECT #:	--
DOCUMENT TYPE:	Sales
REL LEVEL:	Released
DRAWING NO	SC082752-01
REV	D
SHEET	1 OF 1

REV: PE0200