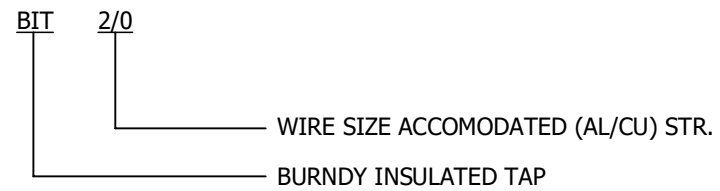
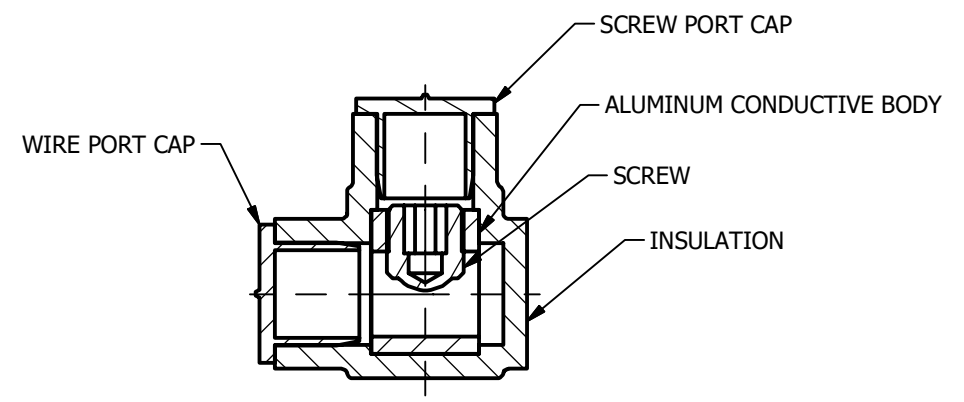
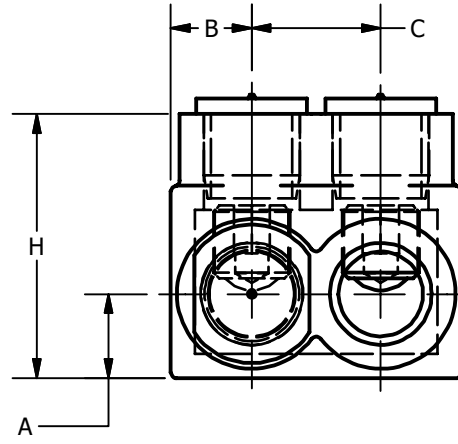
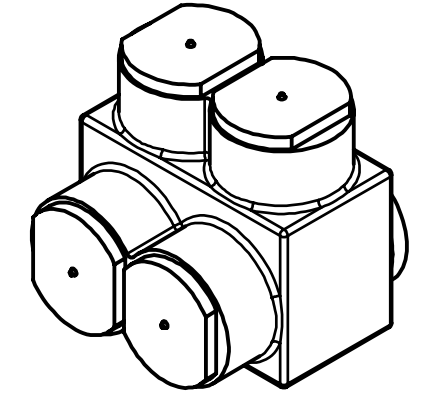
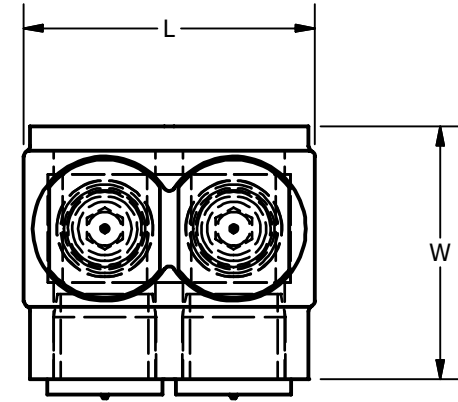


CATALOG NUMBER	WIRE RANGE	L	W	H	A	B	C	HEX KEY	STRIP LENGTH +/-1/32	TORQUE, IN-LBS	
										#14-#10	45
BIT4	#14-#4 CLASS B, C	1.08	1.13	1.25	.44	.32	.44	1/8	9/16	#8-#4	50
BIT2/0	#14-2/0 CLASS B, C	1.52	1.31	1.38	.44	.42	.67	3/16	5/8		120
BIT250	#10-250 CLASS B, C	2.03	2.13	2.13	.58	.55	.94	5/16	15/16		275
BIT350	#10-350 CLASS B, C	2.22	2.38	2.50	.69	.66	.91	5/16	1 1/16		275
BIT600	#4-600 CLASS B, C	2.75	2.38	2.75	.81	.72	1.28	3/8	1 1/16		375
BIT750	#2-750 CLASS B, C	2.88	2.75	3.00	.90	.75	1.38	3/8	1 7/16		375

7

REV	DATE	DESCRIPTION	ECO	BY	C'HK.
D	01/19/2023	UPDATED AS PER MARKUP	230113026991	YR	RA



- UL LISTED TO 486A-B, FILE E9498
- CSA CERTIFIED TO C22.2, NO. 65, FILE 042860_C_000

NOTES:

- DIMENSIONS IN BRACKETS [] ARE IN MILLIMETERS ROUNDED OFF TO THE NEAREST MILLIMETER, UNLESS OTHERWISE SPECIFIED AND ARE FOR REFERENCE ONLY.
- THIS DRAWING TO BE INTERPRETED PER ASME Y14.5M-2009.
- MATERIAL: BODY - TIN PLATED ALUMINUM
SCREW - CLEAR COATED ALUMINUM
INSULATION - PLASTISOL
CAPS - POLYETHOLENE
- OPERATING TEMPERATURE - -40°C TO 135°C.
- VOLTAGE RATING - 600 V.
- AMPERAGE RATING - CONNECTORS ARE RATED AL9CU AND ARE INTENDED FOR USE AT AMPACITIES NOT GREATER THAN THOSE FOR A 90°C-RATED CONDUCTOR.

7 NOT UL LISTED OR CSA CERTIFIED.

FEATURES	BENEFITS
PLASTISOL COVERED AL 6060-T6 BODY	SAVES TIME, LOWERS INSTALLATION COST, ELIMINATES TAPING
CLEAR PLASTISOL	ALLOWS VISUAL CONFIRMATION THAT CONDUCTOR IS PROPERLY INSERTED
OXIDE-INHIBITOR IS PREFILLED	INHIBITS MOISTURE AND CONTAMINANTS FROM ENTERING THE CONTACT AREA
RANGE-TAKING IN BOTH CODE AND FLEX	REDUCES THE NUMBER OF CONNECTORS CARRIED IN INVENTORY
WIRE AND SCREW PORT COVERS	PROTECTS AGAINST CONTAMINATION AND ACCIDENTAL CONTACT OF ENERGIZED PARTS.

TO ORDER BURNDY® PRODUCTS CALL
 UNITED STATES
 1-800-346-4175 (LONDONDERRY, NH)
 CANADA:
 1-800-387-6487
 FOR PRODUCT INFO: <http://www.burndy.com>

FULLY INSULATED DISTRIBUTION BLOCKS-UNITAP™
 ITEM NO: SEE TABLE
 CAT. NO: SEE TABLE
 DRAWN BY: T.REYNOLDS 08/14/2014
 CHECKER: T.REYNOLDS 08/27/2014
 DSN APRVL: T.REYNOLDS 12/20/2015
 MFG APRVL: --
 QA APRVL: C. KOWALCZYK 12/20/2015
 MKT APRVL: M.BAILLY 12/20/2015
 PROD FAM: --

HUBBELL
 BURNDY

PROJECT #: LM15085	SIZE	DRAWING NO	REV
DOCUMENT TYPE: SALES	B	SC210991	D
REL LEVEL: Released		SHEET 1 OF 15	