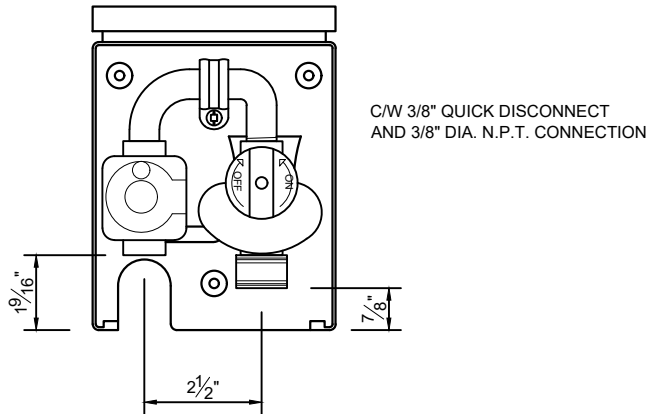
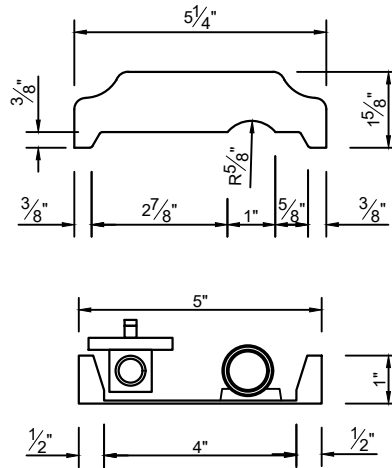


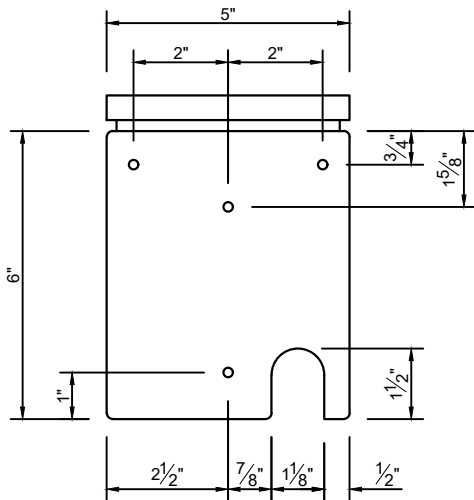
INSIDE



BOTTOM



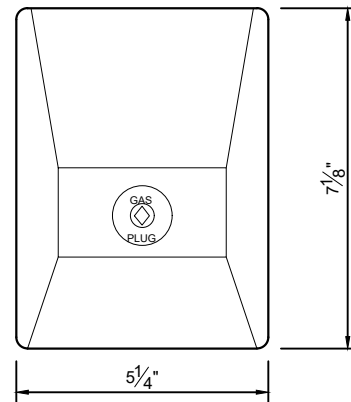
BACK




SIDE



FRONT



Stamp		Version	Description	
			MODEL# GO101-2#-SS	
			SCALE 1/4":1"	
		DWG No.	Version	Date JUNE 2024