



FOR MODELS BBQ-DBL-38-50

GAS PLUG™

INSTALLATION INSTRUCTIONS

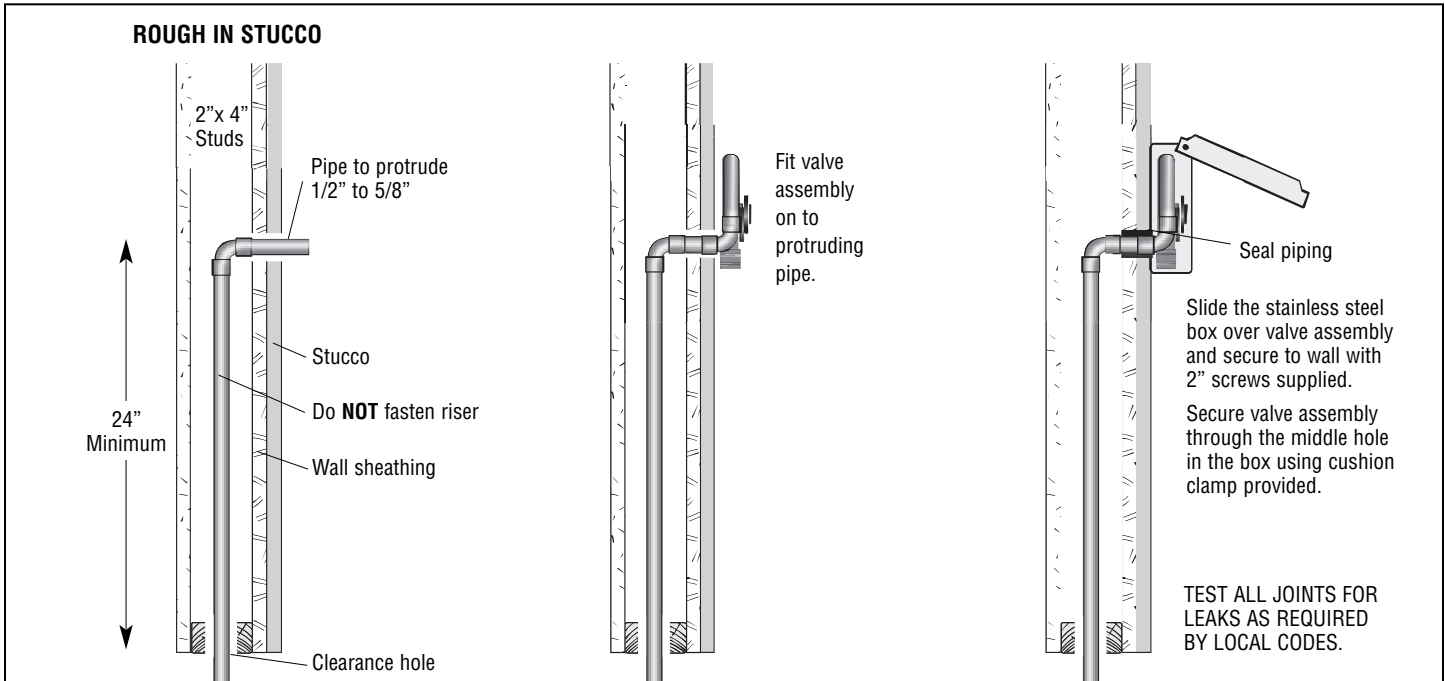
OUTDOOR USE

ROUGH IN:

1. Extend your pipe 1/2" - 5/8" past the finished surface.
2. Install the valve assembly on the wall so that the 1/2" 90° elbow is approximately 3/8" past the wall surface. The piping should be flexible enough to be pulled out for pressure/soap

- C) Maximum working pressure not to exceed 1/2 P.S.I.G.
D) Maximum operating range: from -40° C (-40° F) to 93.3° C (200° F).

IMPORTANT: AVOID OVER TIGHTENING OF WALL FASTENERS TO PREVENT BOX DAMAGE.



test before installing the box and caulking the piping penetrating through the wall. Once the assembly has been installed on the piping system, slide the box over the assembly and fasten with screws provided.

3. Do **NOT** fasten the riser or elbow in the wall, as it will allow the pipe to move back and forth for ease of installation.
4. This device shall be installed in accordance with local codes or, in the absence of local codes, in accordance with the National Fuel Gas Code ANSI Z223.1/NFPA54, or the Natural Gas & Propane Installation Code, CSA B149.1, as applicable.
5. Test all piping joints inside the outlet box as per B149.1 or B149.2, or the National Fuel Gas Code.

6. Specifications:

BBQ-DBL-38-50

- A) 60m B.T.U. NG right side / 125m B.T.U. NG @ 0.6 S.P. @ 7" w.c. - left side.
B) 90m B.T.U. LP right side / 187m B.T.U. LP @ 1.53 S.P. @ 11" wc - left side.

- D) Maximum operating range: from -40° C (-40° F) to 93.3° C (200° F).
7. **INSTALLATION OF STAINLESS STEEL BOX (OPTIONAL):**

- A) If the optional enclosure is used, sealing is required between the enclosure and the wall opening, or between the enclosure and the cover plate, and between the enclosure and piping that services the outlet, or otherwise, as applicable, to prevent any leaking gas from entering the wall cavity.
- B) A gas outlet enclosure is required when the gas outlet is connected to the gas supply with a fitting that would otherwise be concealed, and such fitting is not permitted in concealed locations.
- C) The gas outlet must be securely mounted to the building or structure. This mounting may rely on the enclosure or on the piping system if said enclosure or piping system is sufficiently strong and secure for the purpose.

8. CAUTION:

- A) Never leave the male plugs in the coupling.
- B) Always leave the manual valves in the closed position when not in use.

NOTE: Always instruct the end user on the safe operation of the outlet and hose connections.