

For Residential and Commercial Applications

Job Name		Engineer / Architect	
Job Location		Wholesaler	
Submittal Date		Contractor	

V402 Series Female Iron Pipe to Male Iron Pipe Shut-off Cock

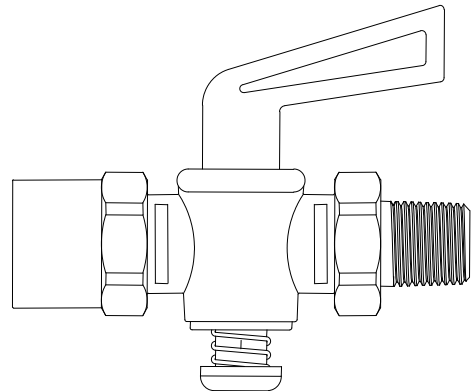
Use: For use with low pressure air, water, gas and fluids (lubricant may not be compatible with some fluids)

Design Features:

- **Forged one-piece brass body** provides strength, durability and long-lasting performance
- **Brass Handle** provides a secure grip and smooth on/off operation
- **Manufactured with dryseal pipe threads**

Operating Specifications:

Temperature: 32° F - 125° F
Working Pressure: 60 PSI

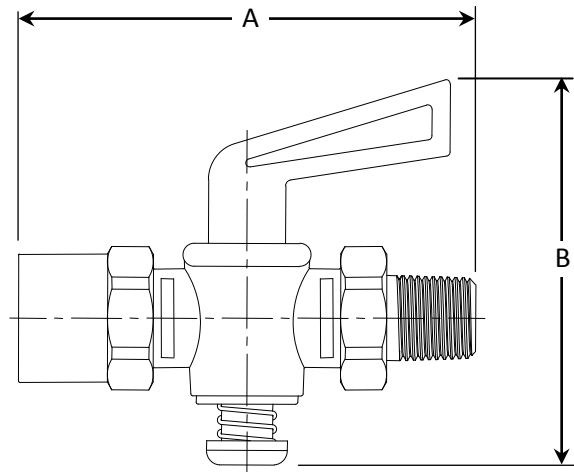


MATERIAL SPECIFICATIONS	
Valve Body	C37700 brass
Handle/Stem	C37700 brass
Handle Screw	Steel
Spring	Steel
Washer	Steel

PART DIMENSIONS (Inches)		
Model	DIM. A	DIM. B
V402-2	1.85	1.90
V402-4	1.85	1.90
V402-6	2.25	2.38

Part Listing:

- V402-2 1/8" F.I.P. x 1/8" M.I.P.
- V402-4 1/4" F.I.P. x 1/4" M.I.P.
- V402-6 3/8" F.I.P. x 3/8" M.I.P.



This specification and all information contained herein is the confidential and exclusive property of BrassCraft Manufacturing, and shall not be disclosed to others without the written consent of BrassCraft. This specification must be returned to BrassCraft if requested.

