

*For Residential and Commercial Applications*

|                |  |                      |  |
|----------------|--|----------------------|--|
| Job Name       |  | Engineer / Architect |  |
| Job Location   |  | Wholesaler           |  |
| Submittal Date |  | Contractor           |  |

## KTCS401DL 1/4 Turn Toilet Supply Kit w/ 5" Extension – Sweat x Compression Ball Stop (Opt. Loose Key)

**Use:** For use with water in accessible locations only

**Design Features:**

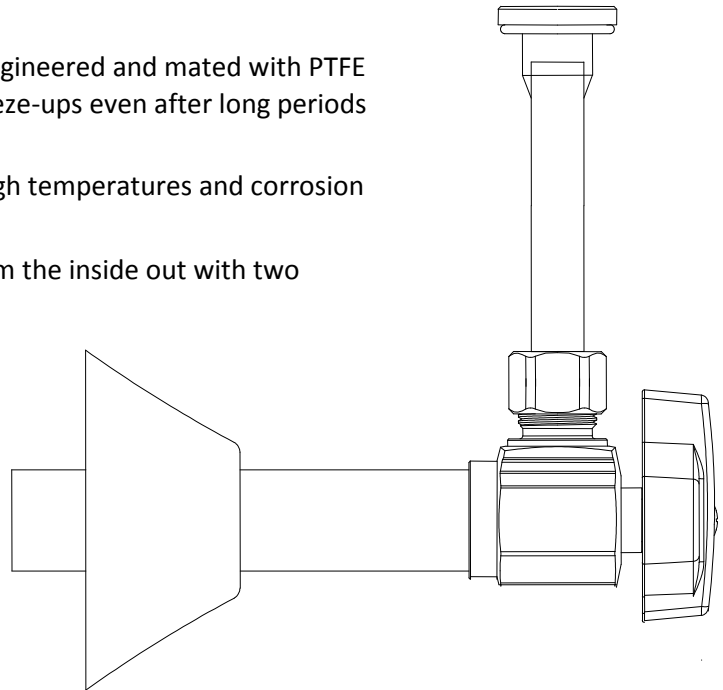
- **Everything you need.** These kits combine our premium KT™ ¼ turn BrassCraft® supply stop, copper riser, extension tube, and escutcheon for an easy-to-install connection

**Copper Riser Provides:**

- **One-piece** construction
- **Cut-to-length** for a clean, professional installation

**KT™ ¼ Turn Ball Stop provides:**

- **Machined one-piece brass body** provides strength, durability, and long-lasting performance
- **Easy-to-remove handle** with screw attachment helps protect against accidental operation during rough-ins
- **Precision-machined brass ball** is specially engineered and mated with PTFE seats to provide smooth operation without freeze-ups even after long periods of non-use
- **Two high-performance o-rings** withstand high temperatures and corrosion from harsh water environments
- **Blow-out-proof brass stem** is assembled from the inside out with two o-rings to ensure safe, reliable performance
- **Plated stem** provides corrosion resistance and prevents o-ring damage after long periods of non-use
- **Metal handle** is designed for durability, corrosion resistance, and a sleek appearance
- **100%** Leak tested
- **✓ No Lead**



**Operating Specifications:**

**Temperature:** 40°- 180° F  
**Pressure:** 125 PSI maximum

**Tube Diameter:** 3/8" OD

*This specification and all information contained herein is the confidential and exclusive property of BrassCraft Manufacturing, and shall not be disclosed to others without the written consent of BrassCraft Mfg. This specification must be returned to BrassCraft Mfg if requested.*



## KTCS401DL 1/4 Turn Toilet Supply Kit w/ 5" Extension – Sweat x Compression Ball Stop (Opt. Loose Key)

### Standard

| CONNECTOR MATERIAL SPECIFICATIONS |                       |
|-----------------------------------|-----------------------|
| <b>Tube</b>                       | Copper per ASTM B-68  |
| <b>Insert</b>                     | Santoprene™           |
| <b>Extension Tube</b>             | Copper, chrome plated |

|                        |                      |
|------------------------|----------------------|
| <b>Bell Escutcheon</b> | Steel, chrome plated |
|------------------------|----------------------|

|                          |               |
|--------------------------|---------------|
| <b>Loose Key</b>         | Zinc die cast |
| <b>Loose Key Adaptor</b> | Zinc die cast |
| <b>Lock Shield</b>       | Brass, plated |

| STOP MATERIAL SPECIFICATIONS |                               |
|------------------------------|-------------------------------|
| <b>Body</b>                  | Brass or brass, chrome plated |
| <b>Stem</b>                  | Brass, chrome plated          |
| <b>Handle</b>                | Zinc die cast, plated         |
| <b>Handle Screw</b>          | Steel, zinc plated            |
| <b>O-ring</b>                | Rubber                        |
| <b>Ball</b>                  | Brass, chrome plated          |
| <b>Seat</b>                  | PTFE                          |
| <b>Compression Sleeve</b>    | Brass                         |
| <b>Compression Nut</b>       | Brass or brass, plated        |

### Compliant

| CONNECTOR MATERIAL SPECIFICATIONS |                       |
|-----------------------------------|-----------------------|
| <b>Tube</b>                       | Copper per ASTM B-68  |
| <b>Insert</b>                     | Santoprene™           |
| <b>Extension Tube</b>             | Copper, chrome plated |

|                        |                      |
|------------------------|----------------------|
| <b>Bell Escutcheon</b> | Steel, chrome plated |
|------------------------|----------------------|

|                          |               |
|--------------------------|---------------|
| <b>Loose Key</b>         | Zinc die cast |
| <b>Loose Key Adaptor</b> | Zinc die cast |
| <b>Lock Shield</b>       | Brass, plated |

| STOP MATERIAL SPECIFICATIONS |   |
|------------------------------|---|
| <b>Body</b>                  | Compliant brass or compliant brass, chrome plated |
| <b>Stem</b>                  | Compliant brass, chrome plated                    |
| <b>Handle</b>                | Zinc die cast, plated                             |
| <b>Handle Screw</b>          | Steel, zinc plated                                |
| <b>O-ring</b>                | Rubber  |
| <b>Ball</b>                  | Compliant brass, chrome plated                    |
| <b>Seat</b>                  | PTFE  |
| <b>Compression Sleeve</b>    | Brass   |
| <b>Compression Nut</b>       | Brass, chrome plated                              |

### Standard Part Listing:

- KTCS401DL C 1/2" nom sweat x 3/8" OD compression, bell escutcheon, chrome plated
- KTSCS401DL C 1/2" nom sweat x 3/8" OD compression w/ loose key, bell escutcheon, chrome plated

### Compliant Part Listing:

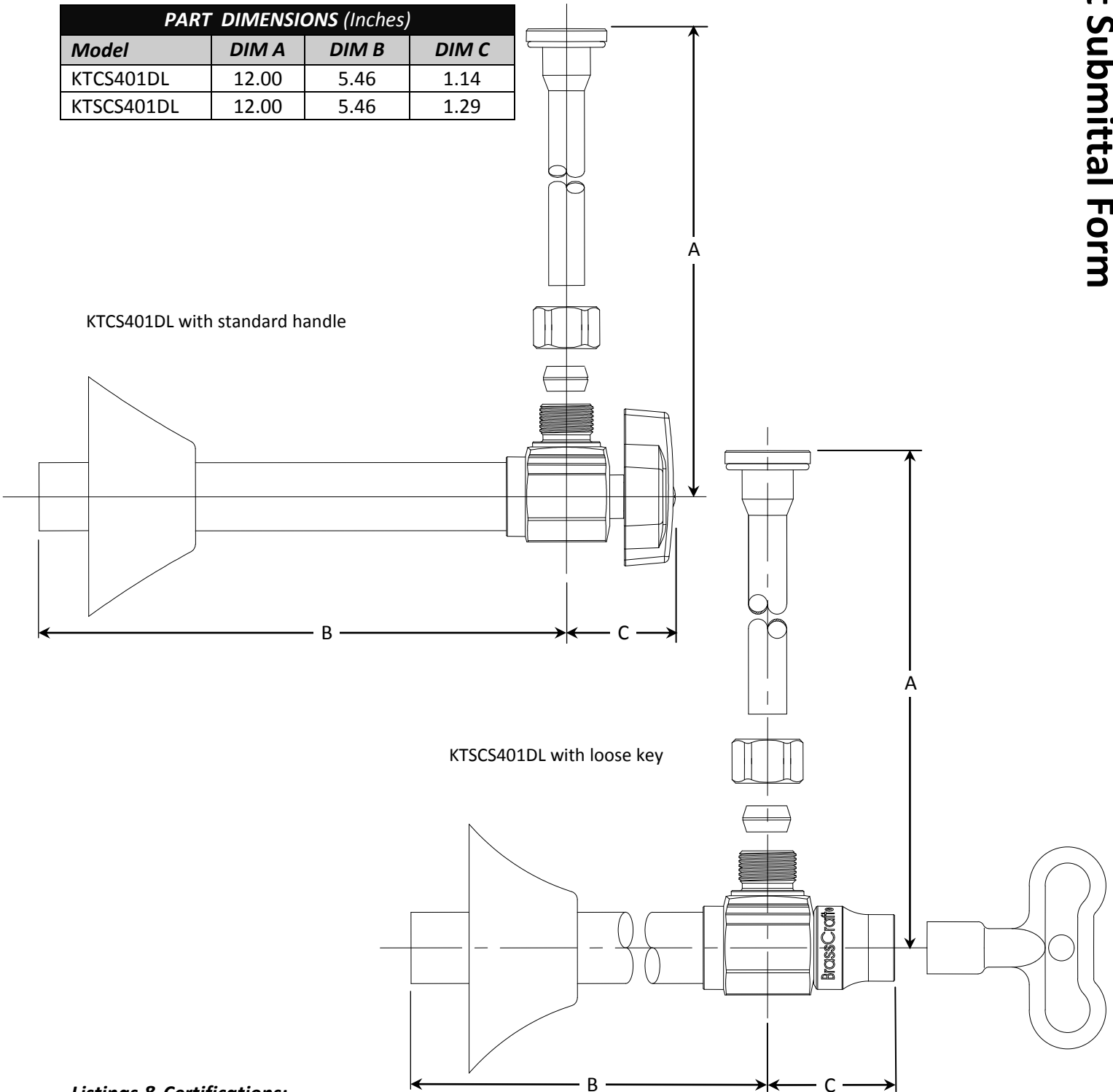
- KTCS401DLX C 1/2" nom sweat x 3/8" OD compression, bell escutcheon, chrome plated
- KTSCS401DLX C 1/2" nom sweat x 3/8" OD compression w/ loose key, bell escutcheon, chrome plated

*This specification and all information contained herein is the confidential and exclusive property of BrassCraft Manufacturing, and shall not be disclosed to others without the written consent of BrassCraft Mfg. This specification must be returned to BrassCraft Mfg if requested.*

**BrassCraft®**

# KTCS401DL 1/4 Turn Toilet Supply Kit w/ 5" Extension – Sweat x Compression Ball Stop (Opt. Loose Key)

| <b>PART DIMENSIONS (Inches)</b> |              |              |              |
|---------------------------------|--------------|--------------|--------------|
| <b>Model</b>                    | <b>DIM A</b> | <b>DIM B</b> | <b>DIM C</b> |
| KTCS401DL                       | 12.00        | 5.46         | 1.14         |
| KTSCS401DL                      | 12.00        | 5.46         | 1.29         |



**Listings & Certifications:**

- IAPMO listed to ASME A112.18.1 / CSA B125.1 (File # 0645)
- CSA listed to ASME A112.18.1 / CSA B125.1 (File # 204593)
- Compliant product CSA listed to Low Lead Content Certification Program – Plumbing Products Class 6853-01



*This specification and all information contained herein is the confidential and exclusive property of BrassCraft Manufacturing, and shall not be disclosed to others without the written consent of BrassCraft Mfg. This specification must be returned to BrassCraft Mfg if requested.*

**BrassCraft®**