

Job Name		Engineer / Architect	
Job Location		Wholesaler	
Submittal Date		Contractor	

G2CR19B12A/ G2CR19B16A/ G2CR19B20A Braided Faucet Supply Kit - Compression 1/4 Turn Angle Stop

Use: For use in potable water distribution systems in accessible locations only. Not intended for recirculating water systems that produce continuous use temperatures above 115° F. For those applications, use BrassCraft KT series ball stop supply kits

Design Features:

- **Everything you need.** Kits include a quarter turn stop, escutcheon and braided connector, everything you need to hookup your water supply
- **Compliant Kits available** for California and Vermont “low-lead” requirements



Braided connector provides:

- **Superior corrosion resistance** to harsh chemicals found in common household cleaning and plumbing repair products
- **More flexible than stainless steel,** the braided polymer-coated fibers bend freely without kinking or crimping
- **Tough inner core** is reinforced to resist chlorine and chloramine leaching and deterioration
- **Nitrile rubber washers** provide a large pliable sealing surface and ensures a long lasting water tight connection
- **8-sided pneumatic crimp** provides greater dependability for reliable nut-to-hose connections

G2 1/4 turn stop provides:

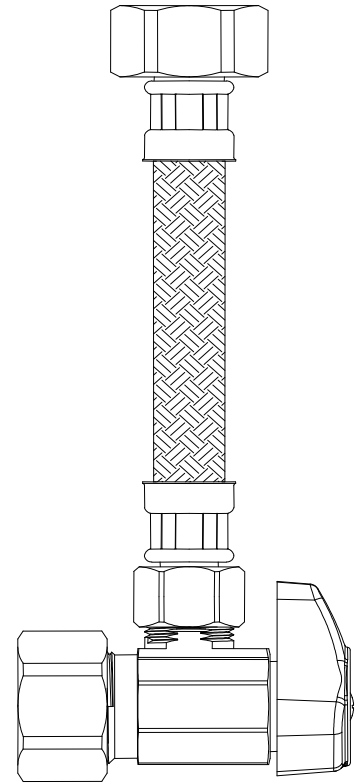
- **One-Piece shut-off mechanism** provides smooth on-off operation without freeze ups even after long periods of non-use
- **Positive 1/4 turn shut-off**
- **Full-flow operation** with no waterway obstructions

Operating Specifications:

Temperature: 40°- 140° F, intermittent to 180° F

Pressure: 125 psi maximum

Tubing Diameter: 0.300" I.D. (0.550" O.D.)



This specification and all information contained herein is the confidential and exclusive property of BrassCraft Manufacturing, and shall not be disclosed to others without the written consent of BrassCraft. This specification must be returned to BrassCraft if requested.

BrassCraft®

G2CR19B12A/ G2CR19B16A/ G2CR19B20A Braided Faucet Supply Kit - Compression 1/4 Turn Angle Stop

Standard

MATERIAL SPECIFICATIONS	
G2 1/4 Turn Stop	
Valve Body	C36000 brass
Stem Barrel	Santoprene
Stem Shaft	Glass-filled polypropylene
Stem O-ring	EPDM rubber
Handle	Zinc die cast
Handle Screw	Zinc-plated steel
Compression Nut	C36000 brass
Compression Sleeve	C36000 brass
Escutcheon	
	Stainless steel

Compliant

MATERIAL SPECIFICATIONS	
G2 1/4 Turn Stop	
Valve Body	Compliant brass
Stem Barrel	Santoprene
Stem Shaft	Glass-filled polypropylene
Stem O-ring	EPDM rubber
Handle	Zinc die cast
Handle Screw	Zinc-plated steel
Compression Nut	C36000 brass
Compression Sleeve	C36000 brass
Escutcheon	
	Stainless steel

MATERIAL SPECIFICATIONS	
Braided Connector	
Inner Hose	Reinforced PVC
Braiding	PVC coated polyester yarn
Barb	Compliant brass
Ferrule	Zinc plated 1008 steel

MATERIAL SPECIFICATIONS	
Braided Connector (con't)	
Nut	C36000 brass
Washer	Nitrile rubber
Compression Ring & Nut	C36000 brass

Standard Part Listing:

- G2CR19B12A C 1/2" Nom. Compression x 3/8" OD Compression 1/4 turn stop with 1/2" F.I.P. outlet x 12" length braided connector & shallow escutcheon, chrome plated
- G2CR19B16A C 1/2" Nom. Compression x 3/8" OD Compression 1/4 turn stop with 1/2" F.I.P. outlet x 16" length braided connector & shallow escutcheon, chrome plated
- G2CR19B20A C 1/2" Nom. Compression x 3/8" OD Compression 1/4 turn stop with 1/2" F.I.P. outlet x 20" length braided connector & shallow escutcheon, chrome plated

Compliant Part Listing:

- G2CR19B16AX C 1/2" Nom. Compression x 3/8" OD Compression 1/4 turn stop with 1/2" F.I.P. outlet x 16" length braided connector & shallow escutcheon, chrome plated
- G2CR19B20AX C 1/2" Nom. Compression x 3/8" OD Compression 1/4 turn stop with 1/2" F.I.P. outlet x 20" length braided connector & shallow escutcheon, chrome plated

Listings & Certifications:

- IAPMO listed to ASME A112.18.6-2003 (File # 0452) and ASME A112.8.1-05/ CSA B125.1-05 (File # 0645)
- CSA listed to ASME A112.18.6-2003 / CSA B125 and ASME A112.8.1-05/ CSA B125.1-05 (File # 204593)
- Compliant product CSA approved to California Health & Safety Code 116875 and Vermont Bill S.152 (Project # 2174785)

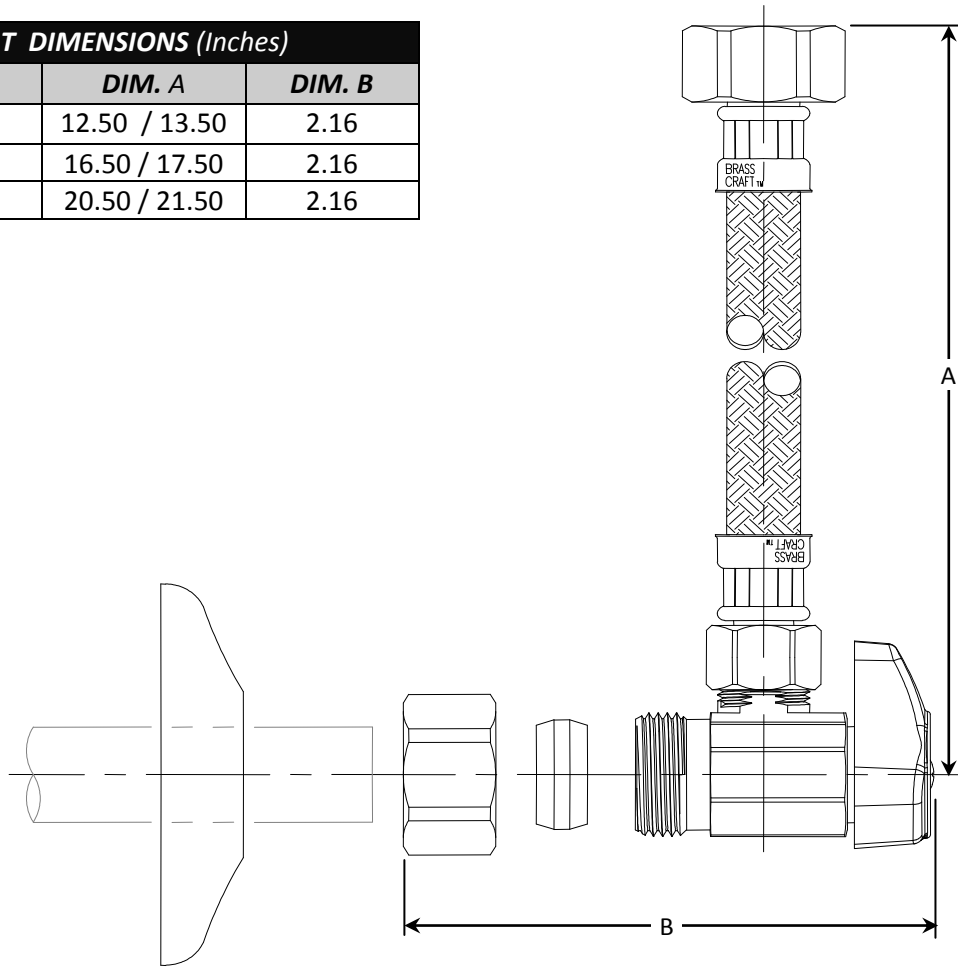


This specification and all information contained herein is the confidential and exclusive property of BrassCraft Manufacturing, and shall not be disclosed to others without the written consent of BrassCraft. This specification must be returned to BrassCraft if requested.



G2CR19B12A/ G2CR19B16A/ G2CR19B20A Braided Faucet Supply Kit - Compression 1/4 Turn Angle Stop

PART DIMENSIONS (Inches)		
Model	DIM. A	DIM. B
G2CR19B12A	12.50 / 13.50	2.16
G2CR19B16A	16.50 / 17.50	2.16
G2CR19B20A	20.50 / 21.50	2.16



This specification and all information contained herein is the confidential and exclusive property of BrassCraft Manufacturing, and shall not be disclosed to others without the written consent of BrassCraft. This specification must be returned to BrassCraft if requested.

