

For Residential and Commercial Applications

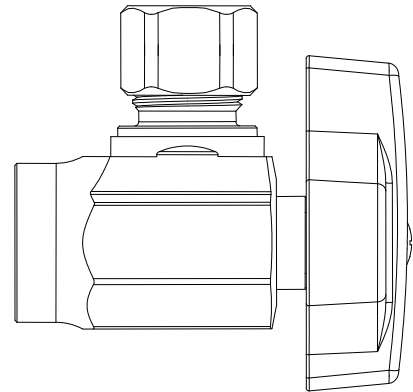
| | | | |
|----------------|--|----------------------|--|
| Job Name | | Engineer / Architect | |
| Job Location | | Wholesaler | |
| Submittal Date | | Contractor | |

KTR09/ KTR19 1/4 Turn Angle Ball Stop - Sweat x Compression

Use: For use in potable water distribution systems

Design Features:

- **Precision-machined brass ball** is specially engineered and mated with PTFE seats to provide smooth operation without freeze ups even after long periods of non-use
- **TWO high-performance o-rings** withstand high temperatures and corrosion from harsh water environments
- **Machined one-piece brass body** provides strength, durability and long-lasting performance
- **Blow-out proof brass stem** is assembled from the inside out with two o-rings to ensure safe, reliable performance
- **Plated stem** provides corrosion resistance and prevents o-ring damage after long periods of non-use
- **Patented, chrome plated metal handle** is designed for durability, corrosion resistance & a sleek appearance
- **Easy-to-remove handle** with screw attachment protects accidental stop operation during rough-ins
- **100% leak tested**
- **Compliant KT Stops** available for California and Vermont “low-lead” requirements



Operating Specifications:

Temperature: 40°- 180° F
Pressure: 125 psi maximum

Standard

| MATERIAL SPECIFICATIONS | |
|---------------------------|----------------------------------|
| Valve Body | C36000 brass |
| Stem | DZR brass, plated |
| Seats | PTFE |
| Ball | C36000 brass, precision machined |
| Stem O-rings | Viton* & Nitrile |
| Handle | Zinc die cast |
| Handle Screw | Zinc-plated steel |
| Compression Sleeve | C36000 brass |
| Compression Nut | C36000 brass |

Compliant

| MATERIAL SPECIFICATIONS | |
|---------------------------|-------------------------------------|
| Valve Body | Compliant brass |
| Stem | Compliant brass, plated |
| Seats | PTFE |
| Ball | Compliant brass, precision machined |
| Stem O-ring | Viton* & Nitrile |
| Handle | Zinc die cast |
| Handle Screw | Zinc-plated steel |
| Compression Sleeve | C36000 brass |
| Compression Nut | C36000 brass |

*Viton is a registered trademark of DuPont Dow Elastomers, L.L.C.

This specification and all information contained herein is the confidential and exclusive property of BrassCraft Manufacturing, and shall not be disclosed to others without the written consent of BrassCraft. This specification must be returned to BrassCraft if requested.



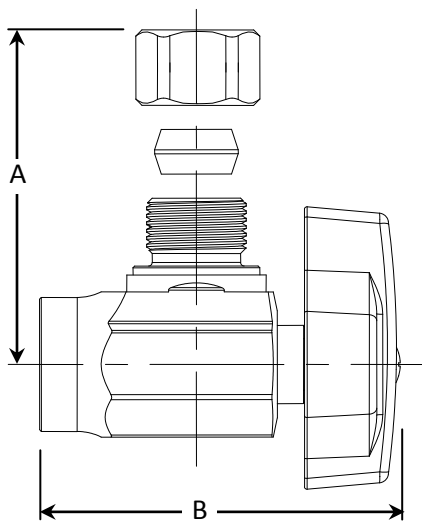
KTR09/ KTR19 1/4 Turn Angle Ball Stop - Sweat x Compression

Standard Part Listing:

- KTR09 C 1/2" Nom. Sweat x 1/4" OD Compression, chrome plated
- KTR09 C1 1/2" Nom. Sweat x 1/4" OD Compression, chrome plated, window tray
- KTR19 C 1/2" Nom. Sweat x 3/8" OD Compression, chrome plated
- KTR19 C1 1/2" Nom. Sweat x 3/8" OD Compression, chrome plated, window tray
- KTR19 R 1/2" Nom. Sweat x 3/8" OD Compression, rough finish

Compliant Part Listing:

- KTR19X C1 1/2" Nom. Sweat x 3/8" OD Compression, chrome plated, window tray



| PART DIMENSIONS (Inches) | | |
|---------------------------------|---------------|---------------|
| Model | DIM. A | DIM. B |
| KTR09 | 1.06 | 2.12 |
| KTR19 | 1.10 | 2.12 |

Listings & Certifications:

- IAPMO listed to ASME A112.18.1-05 / CSA B125.1-05 (File # 0645)
- CSA listed to ASME A112.18.1-05 / CSA B125.1-05 (File # 204593)
- Compliant product CSA approved to California Health & Safety Code 116875 and Vermont Bill S.152 (Project # 2174785)



This specification and all information contained herein is the confidential and exclusive property of BrassCraft Manufacturing, and shall not be disclosed to others without the written consent of BrassCraft. This specification must be returned to BrassCraft if requested.

BrassCraft®