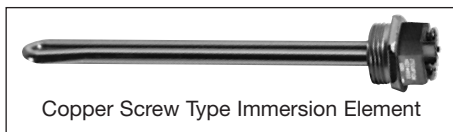


Residential Powerful Compact[®] Energy Saver Electric Water Heater



Photo is of
RE1-2U6



Copper Screw Type Immersion Element

The Residential Energy Saver Electric Model Features:

- **Compact Design**—Can be mounted almost anywhere - under a sink, inside cabinets or hung on a wall - and is perfect for wash station applications (factories, stores and offices).
- **Fully Automatic Control**—Fast-acting surface-mount thermostat for automatic temperature control. Factory-installed (sensitive) manual reset energy cut-off for safety to prevent overheating.
- **Direct Heat Transfer with Immersed Element**—Transfers heat directly and efficiently to the water. Screw-in style.
- **Vitraglas[®] Lining**—Bradford White tanks are lined with an exclusively engineered enamel formula that provides superior tank protection from the highly corrosive effects of hot water. This formula (Vitraglas[®]) is fused to the steel surface by firing at a temperature of over 1600°F (871°C).
- **Non-CFC Insulation**—Precast surrounds tank.
- **Water Connections**—3/4" NPT factory-installed true dielectric fittings extend water heater life and ease installation.
- **Protective Magnesium Anode Rod**—Provides added protection against corrosion for long, trouble-free service.
- **Steel Tank**—Heavy gauge steel automatically formed, rolled, and welded.
- **Steel Jacket**—With special coating that inhibits rust and corrosion.
- **T&P Relief Valve Opening**—Special tapping on top of tank.

Optional Features:

- **Wall Mounting Bracket.**
- **Aluminum Anode Rod.**



6 or 10-Year Limited Tank Warranties / 6 or 10-Year Limited Warranty on Component Parts.

For more information on warranty, please visit www.bradfordwhite.com

For products installed in USA, Canada and Puerto Rico. Some states do not allow limitations on warranties. See complete copy of the warranty included with the heater.

Residential Electric Water Heater

Powerful Compact® Energy Saver Model

Meet or exceed ASHRAE 90.1b (current standard)

Model Number	Capacity		Recovery 90°F Rise		A Floor to Heater Top	B Jacket Dia.	C Floor to Water Conn.	Approx. Shipping Weight
	U.S. Gal.	Imp. Gal.	U.S. GPH	Imp. GPH	in.	in.	in.	lbs.
RE1-2U6	2	1.7	7	6	12 ¹ / ₄	9 ⁷ / ₈	13 ⁹ / ₁₆	12

Model Number	Capacity		Recovery 50°C Rise		A Floor to Heater Top	B Jacket Dia.	C Floor to Water Conn.	Approx. Shipping Weight
	Liters	Liters/* Hour	Liters/* Hour	Liters/* Hour	mm.	mm.	mm.	kg.
RE1-2U6	7	26	26	26	311	251	338	5

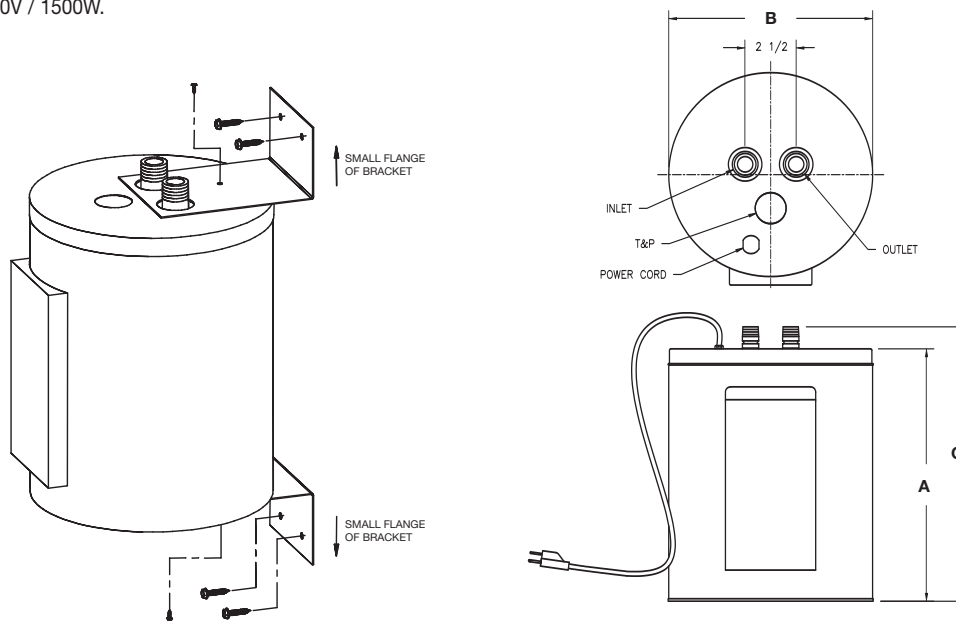
Includes a 4ft. cord with 3 prong grounded plug (20 amp circuit required).

For 10 year models, change suffix "6" to "10".

Single element only.

*Based on 1500W operation.

Only available as 120V / 1500W.



Optional Wall Mounting Bracket (2 brackets)
Part Number 265-45018-00

General

All models are exempt from NAECA requirements and ASHRAE Standard 90.1b.

All models ETL listed. All water connections, 3/4" (19mm) NPT. T&P connection, 3/4" (19mm) NPT female.

All models certified at 300 psi test pressure (2068 kPa) and 150 psi working pressure (1034 kPa).

Dimensions and specifications subject to change without notice in accordance with our policy of continuous product improvement.



Ambler, PA

For U.S. and Canada field service, contact your professional installer or local Bradford White sales representative.

Sales 800-523-2931 • Fax 215-641-1670 / Technical Support 800-334-3393 • Fax 269-795-1089 • Warranty 800-531-2111 • Fax 269-795-1089

International: Telephone 215-641-9400 • Telefax 215-641-9750 / www.bradfordwhite.com

BRADFORD WHITE-CANADA INC. Sales / Technical Support 866-690-0961 / 905-238-0100 • Fax 905-238-0105 / www.bradfordwhite.com

Built to be the Best™

©2015, Bradford White Corporation. All rights reserved.