



2-1/2" DIAL STAINLESS STEEL PRESSURE GAUGE LOWER MOUNT

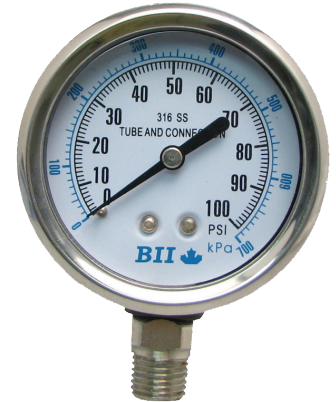
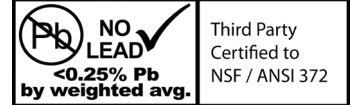
Application:

General purpose gauge, for potable water pumps & systems, these gauges are suitable for compressors, hydraulic presses, machinery, pneumatic equipment and motors, for most commercial air, water and steam services. To be used with fluid medium which does not clog connection or corrode copper alloy.

Not for use with oxygen, natural gas or propane.

Certification:

NSF/ANSI Standard 372 Certified (No Lead Series Only)



GAUGE SPECIFICATIONS

Standard	ASME B40.1
Dial	2-1/2" (63.5mm) white aluminum dial
Case	304 Stainless Steel
Lens	Polycarbonate
Ring (Bezel)	304 Stainless Steel
Connection	316 Stainless Steel
Bourdon Tube	316 Stainless Steel
Fill Liquid	N/A - can be added
Movement	316 Stainless Steel
Pointer	Aluminum (Anodized Black)
Welding	Argon
Working Pressure	Maximum 75% of Full Scale Value (F.S.V.)
Ambient Op. Temp.	-40°F to 140°F (-40°C to 60°C)
Media Op. Temp.	Max. 140°F (60°C)
Accuracy	+/- 1.5 % F.S.V.
Enclosure Rating	General Purpose
Restrictor Screw - can be used to dampen pulsation surges	
15 - 600 PSI	Tapped but not included
1000 PSI & greater	Tapped and include restrictor screw



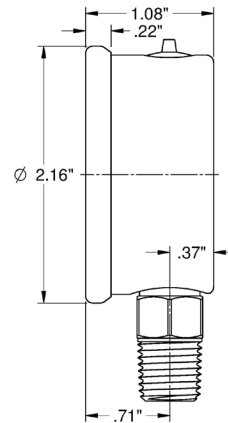
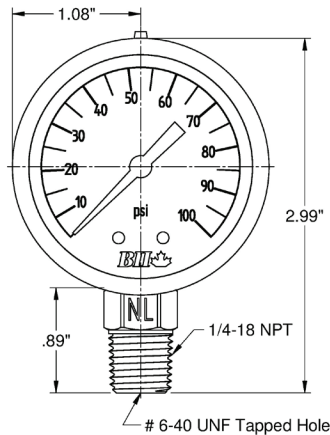
COMMITTED TO EXCELLENCE SINCE 1955

25 Whaley Avenue, PO Box 310, Milverton, ON CANADA N0K 1M0
Tel: 519-595-4444 Fax: 519-595-4380 Toll Free: 800-561-3164

www.boshart.com



2-1/2" DIAL STAINLESS STEEL PRESSURE GAUGE LOWER MOUNT



DIMENSIONS					
Part No.	Connection	Range		Increments	Weight grams
		PSI	kPa		
LOWER MOUNT CONNECTION					
PGS25-15	1/4" MPT	0-15	0-100	0.2	130
PGS25-30	1/4" MPT	0-30	0-200	0.5	130
PGS25-60	1/4" MPT	0-60	0-400	1	130
PGS25-100	1/4" MPT	0-100	0-700	1	130
PGS25-160	1/4" MPT	0-160	0-1100	2	130
PGS25-200	1/4" MPT	0-200	0-1400	2	130
PGS25-300	1/4" MPT	0-300	0-2000	5	130
PGS25-400	1/4" MPT	0-400	0-2800	5	130
PGS25-600	1/4" MPT	0-600	0-4000	10	130
PGS25-1000	1/4" MPT	0-1000	0-7000	20	130
PGS25-1500	1/4" MPT	0-1500	0-10000	20	130
PGS25-2000	1/4" MPT	0-2000	0-14000	20	130
PGS25-3000	1/4" MPT	0-3000	0-20000	50	130
PGS25-5000	1/4" MPT	0-5000	0-35000	50	130
PGS25-10000	1/4" MPT	0-10000	0-70000	100	130
VACUUM GAUGE					
PGSV25-30	1/4" MPT	30Hg-0		0.5	130
VACUUM / PRESSURE GAUGE					
PGSC25-30-30	1/4" MPT	30Hg-0-30		2/1	130



COMMITTED TO EXCELLENCE SINCE 1955

25 Whaley Avenue, PO Box 310, Milverton, ON CANADA N0K 1M0
Tel: 519-595-4444 Fax: 519-595-4380 Toll Free: 800-561-3164

www.boshart.com